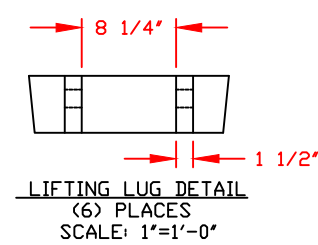
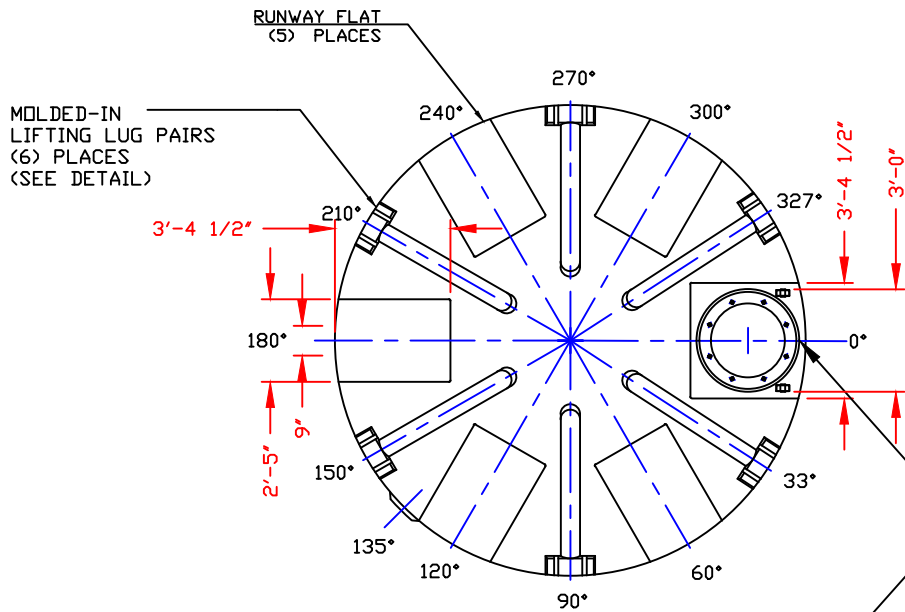
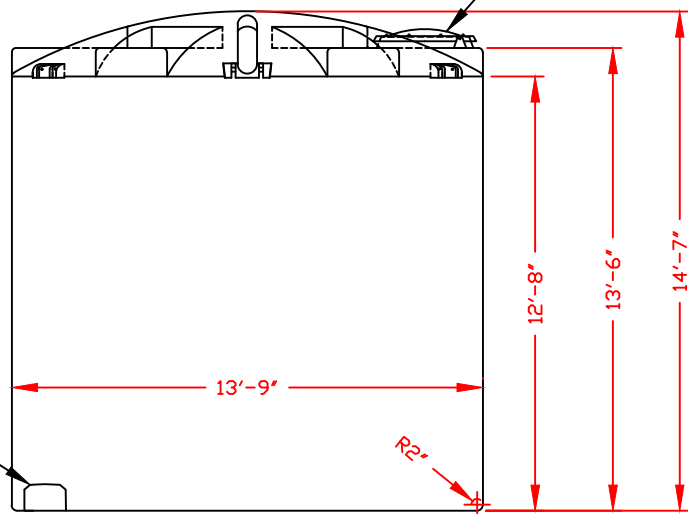


NON-CONTROLLED COPY
 INFORMATION SUBJECT TO CHANGE WITHOUT NOTICE
 VERIFY REV LEVEL OF PAPER COPY WITH REV LEVEL ON PPC WEB SITE



STANDARD COVER:
 24" (8) BOLT MANWAY COVER/PE (SHOWN)
 STOCK NO. 3218 OR
 24" /STRAPPED MANWAY COVER/PE
 STOCK NO. 3217
 (OPTIONAL 24" COVERS AVAILABLE)



IMFO OUTLET
 BLOCKED OFF
 IMFO NUB MLU TANK ONLY
 STANDARD LOCATION 135°

CALCULATED CAPACITIES/ VOLUME IN U.S. GALLONS		
DESIGN CAP	DOME VOL	TOTAL VOL
13650	994	14644

CONFIDENTIAL PROPERTY OF
 POLY PROCESSING COMPANY
 NOT FOR REPRINT OR USE
 WITHOUT PERMISSION

DWG TITLE		13650 GALLON UPRIGHT TANK		
SCALE:	1/4"=1'-0"		DR:	B. HARPER
DATE:	10/10/19		CK:	-
		SHEET	COMPUTER FILE	REV
		1 OF 1	VERT-13650	-