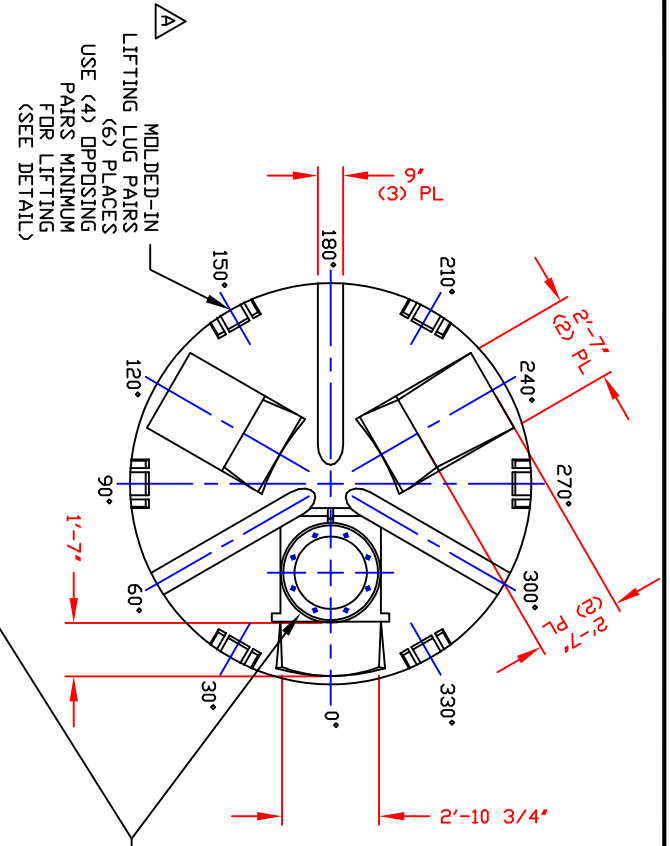
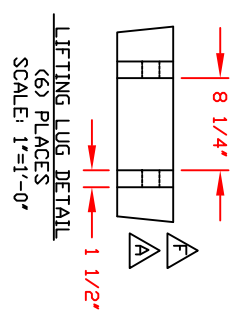
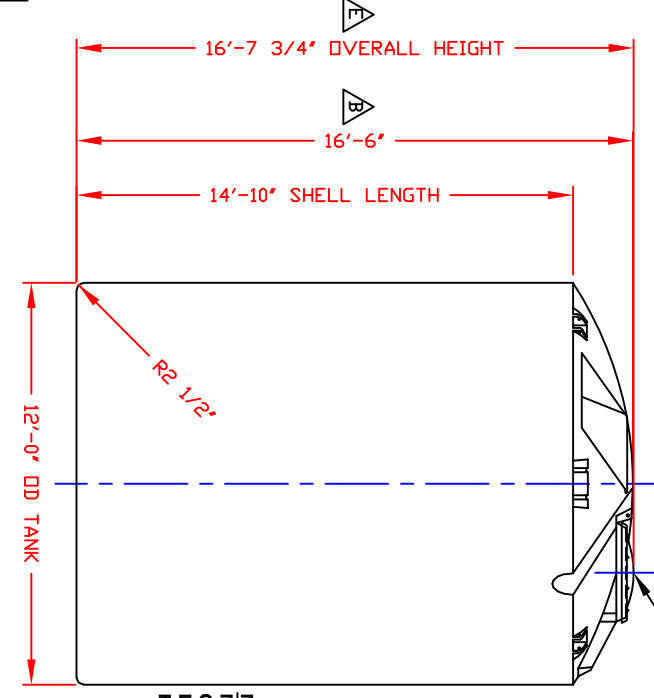


NON-CONTROLLED COPY
 INFORMATION SUBJECT TO CHANGE WITHOUT NOTICE
 VERIFY REV LEVEL OF PAPER COPY WITH REV LEVEL ON PPC WEB SITE



STANDARD COVER:
 24\"/>



NOTE: MUST USE FLEXIBLE CONNECTIONS ALL LOWER SIDEWALL FITTINGS

- REV 'G' ADDED FITTING NOTE BY:JB 2/13/03 CK:MBV
- REV 'F' REVISED LIFTING LUG DETAIL BY:JB 1/14/03 CK:WH
- REV 'E' ADDED DIMENSION BY:JB 10/22/02 CK:MBV
- REV 'D' REVISED DOME & HWY CONFIGURATION BY:MBV 8/28/02 CK:JB
- REV 'C' REVISED CALCULATED CAPACITY BY:JB 4/1/02 CK:MBV
- REV 'B' DID SAY 16'-7 1/2\"/>

- NOTES
1. THIS IS A COMPUTER GENERATED DWG. DO NOT REVISE BY HAND.
 2. DIMENSIONS WILL VARY ±3% DUE TO VARIATIONS IN MULTIPLE MOLDS & CONDITIONS PREVALENT DURING MANUFACTURE & USAGE.
 3. NO MOLDED IN GALLONAGE MARKERS THIS TANK.

		Western Region 1100 South 4th Street Cedar Rapids, IA 52403 FAX 603-582-4055	
DWG TITLE <h2 style="text-align: center;">12150 GALLON UPRIGHT TANK</h2>		DR: B. HARPER CK:	
SCALE: 1/4"=1'-0"	DATE: 10/17/19	SHEET 1 OF 1	COMPUTER FILE VERT-12150
CALCULATED CAPACITIES/ VOLUME IN U.S. GALLONS DESIGN CAP DOME VOL/TOTAL VOL 12189 640 12829		CONFIDENTIAL PROPERTY OF POLY PROCESSING COMPANY NOT FOR REPRINT OR USE WITHOUT PERMISSION	