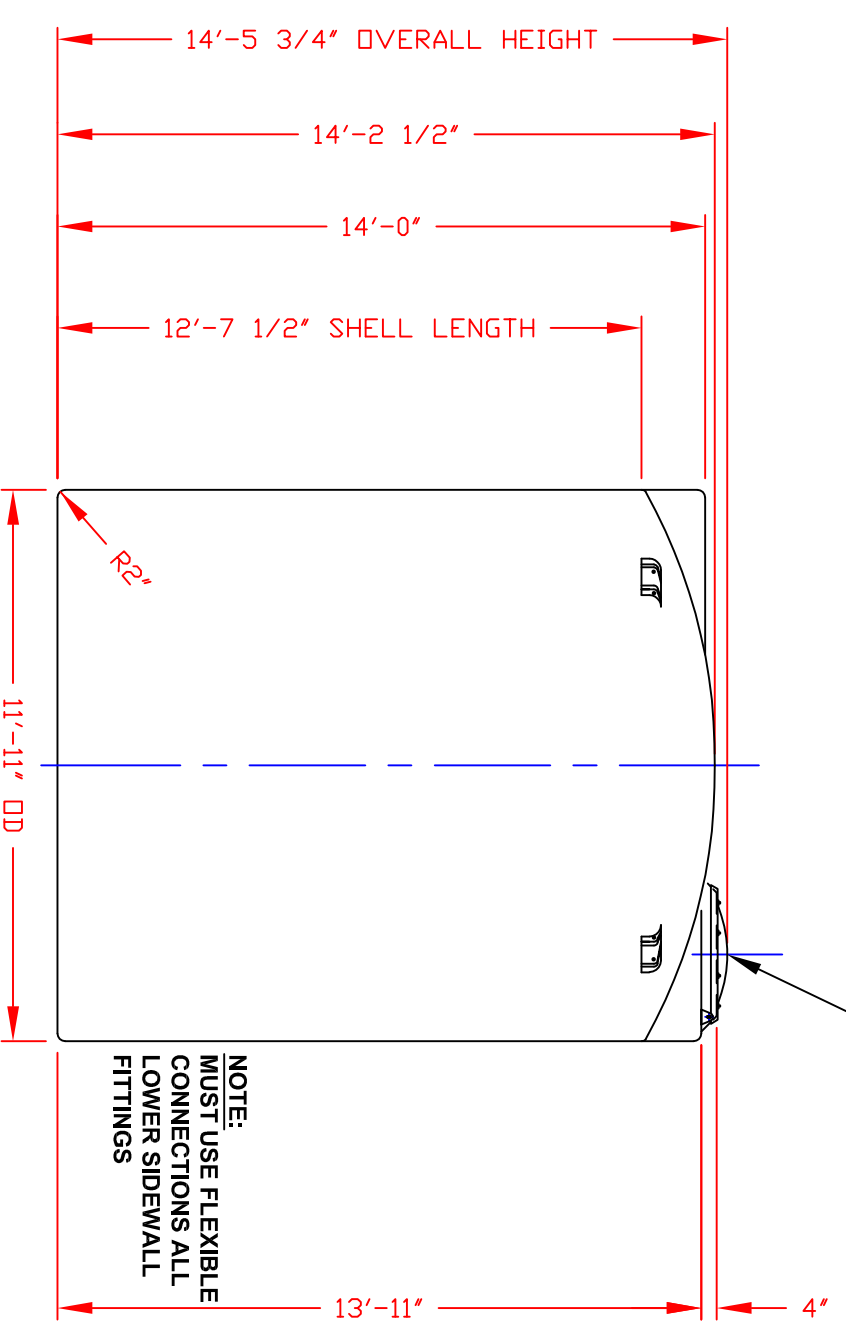
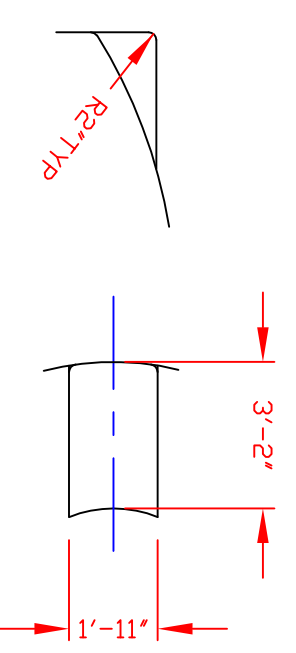
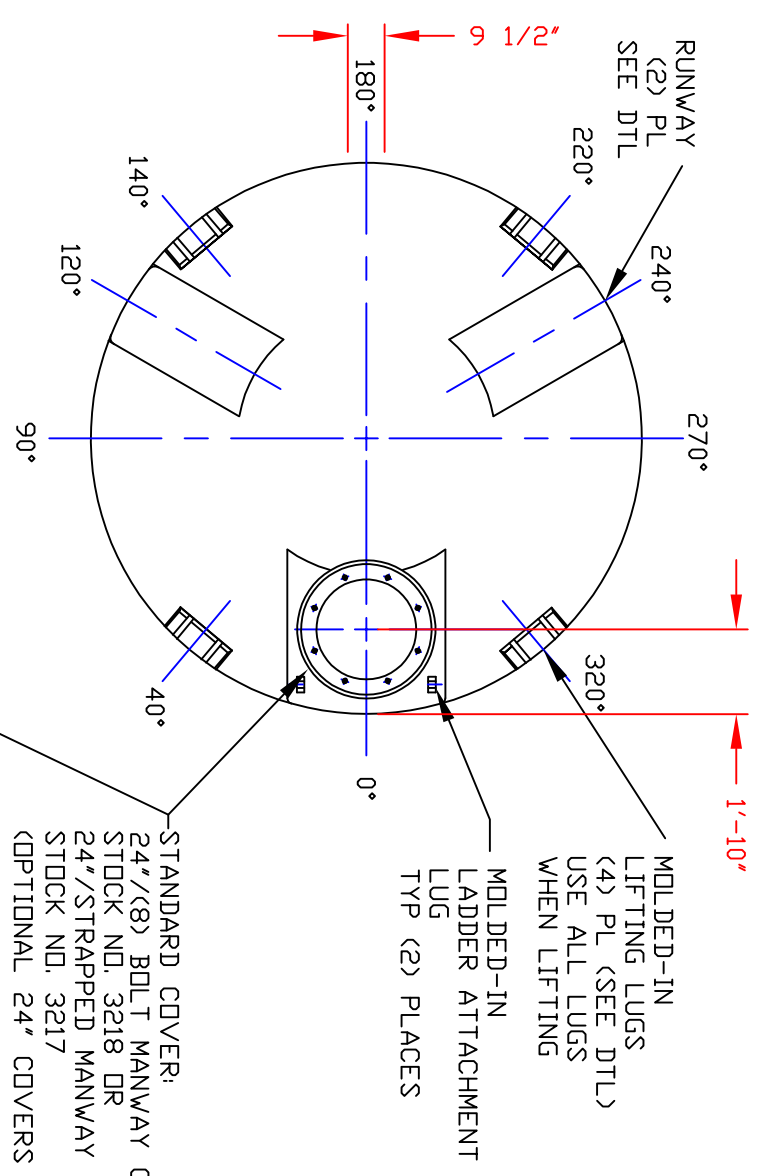
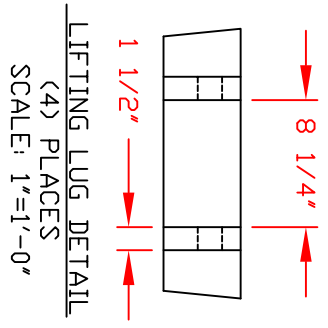


NON-CONTROLLED COPY
 INFORMATION SUBJECT TO CHANGE WITHOUT NOTICE
 VERIFY REV LEVEL OF PAPER COPY WITH REV LEVEL ON PPC WEB SITE



NOTE:
 MUST USE FLEXIBLE CONNECTIONS ALL LOWER SIDEWALL FITTINGS

- NOTES:
1. THIS IS A COMPUTER GENERATED DWG. DO NOT REVISE BY HAND.
 2. DIMENSIONS WILL VARY ±3% DUE TO VARIATIONS IN MULTIPLE MOLDS & CONDITIONS PREVALENT DURING MANUFACTURE & USAGE.
 3. MOLDED IN GALLONAGE MARKERS @ 355° IN 400 GAL INCREMENTS, STARTING @ 400 GAL UP TO 10,000 GAL

CALCULATED CAPACITIES/ VOLUME IN U.S. GALLONS		
DESIGN CAP	DOME VOL	TOTAL VOL
10309	675	10984

CONFIDENTIAL PROPERTY OF
 POLY PROCESSING COMPANY
 NOT FOR REPRINT OR USE
 WITHOUT PERMISSION

DWG TITLE: 10300 GALLON UPRIGHT TANK

SCALE: 1/4"=1'-0"

DATE: 10/17/19

POLY PROCESSING SOLUTIONS, SIMPLIFIED

Western Region
 P.O. Box 80
 8025 South Ash Street
 Covington, LA 70021
 (504) 982-9044
 FAX (504) 982-0455

DR: B. HARPER
 CK:

SHEET: 1 OF 1
 COMPUTER FILE: VERT-10300

REV: -