

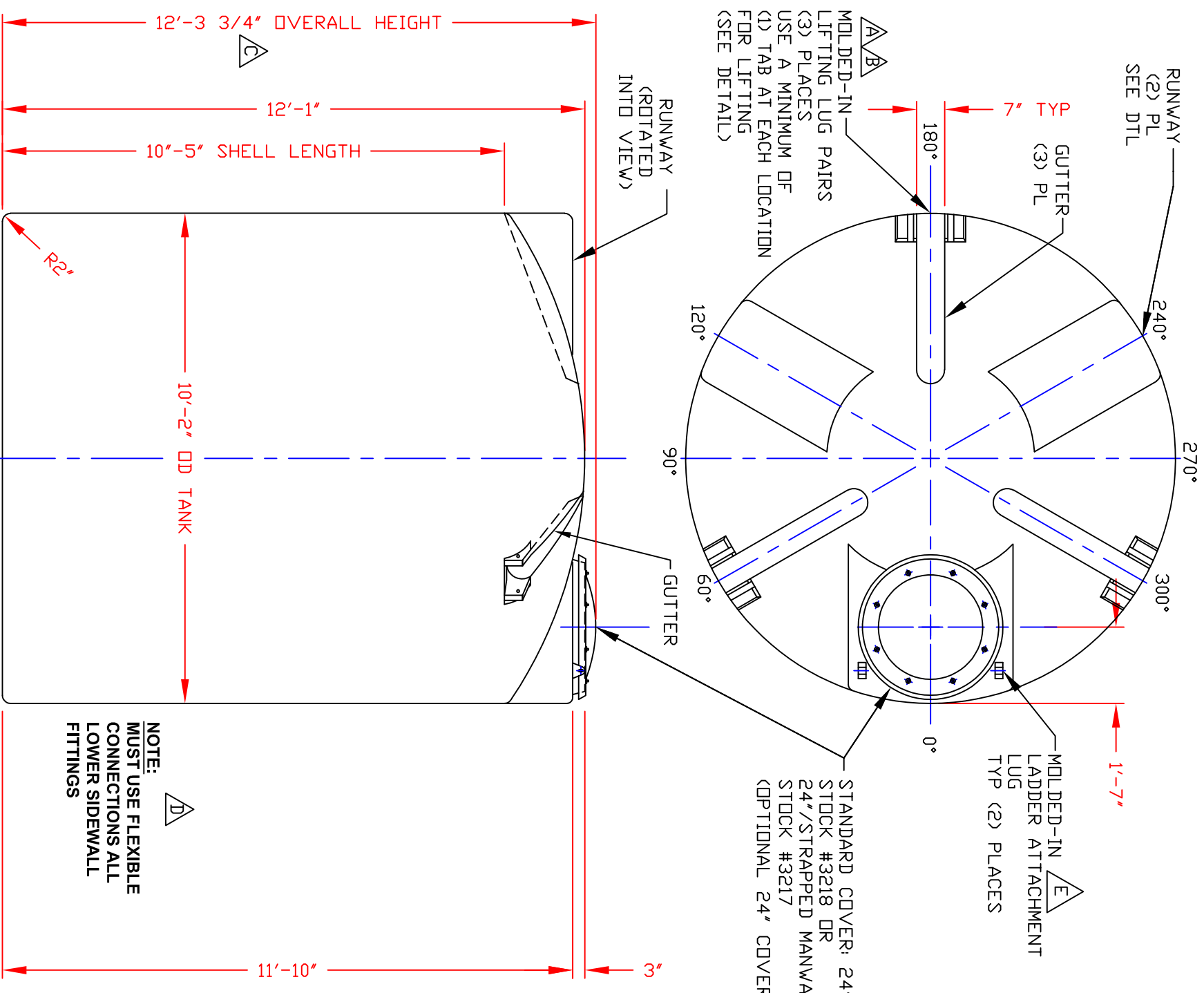
NON-CONTROLLED COPY

INFORMATION SUBJECT TO CHANGE WITHOUT NOTICE

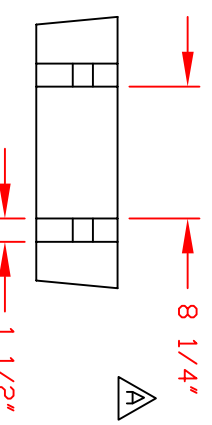
VERIFY REV LEVEL OF PAPER COPY WITH REV LEVEL ON PPC WEB SITE

NOZZLE SCHEDULE & ACCESSORIES

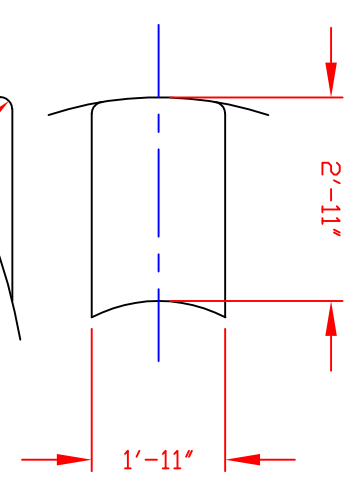
SERVICE	MK	STOCK NO.	SIZE	FITTING	DEG	ELEV



STANDARD COVER: 24"/(8) BOLT MANWAY COVER/PE STOCK #3218 OR 24"/STRAPPED MANWAY COVER/PE STOCK #3217 (OPTIONAL 24" COVERS AVAILABLE)



LIFTING LUG DETAIL
(3) PLACES
SCALE: 1"=1'-0"



RUNWAY DETAIL
(2) PLACES

- NOTES**
1. THIS IS A COMPUTER GENERATED DWG. DO NOT REVISE BY HAND.
 2. MOLDED IN GALLONAGE MARKERS @ APPROX 5" IN 200 GAL INCREMENTS UP TO 6200 GAL @ MLU & 6400 GAL @ WVA. MARKERS IN WVA TANKS ARE 5" WIDE & MUST BE AVOIDED WHEN PLACING FITTINGS. DIMENSIONS WILL VARY ±3% DUE TO VARIATIONS IN MULTIPLE MOLDS & CONDITIONS PREVALENT DURING MANUFACTURE & USAGE.

CALCULATED CAPACITIES/ VOLUME IN U.S. GALLONS	DESIGN CAP	DIOME VOL	TOTAL VOL
6198	419	6617	

CONFIDENTIAL PROPERTY OF
POLY PROCESSING COMPANY
NOT FOR REPRINT OR USE
WITHOUT PERMISSION

REV 'E' ADDED LADDER ATTACHMENT LUGS BY:JJB 9/10/04 CK:WM
REV 'D' ADDED FITTING NOTE BY:MBV 1/24/03 CK:JB
REV 'C' ADDED DIMENSION BY:JB 10/21/02 CK:MBV
REV 'B' REVISED LIFTING LUG NOTE BY:JB 4/12/02 CK:MBV
REV 'A' ADDED LIFTING LUGS & DETAILS BY:JB 2/21/02 CK:WM

DWG TITLE: 6150 GALLON UPRIGHT TANK

SCALE: 3/8"=1'-0"

DATE: 10/10/19

POLY PROCESSING SOLUTIONS, SIMPLIFIED

Central Region
P.O. Box 4198 (75210)
Morse, LA 71203
C380 343-7565
FAX (380) 343-8795

DR: B. HARPER

SHEET 1 OF 1

COMPUTER FILE VERT-06150

REV E