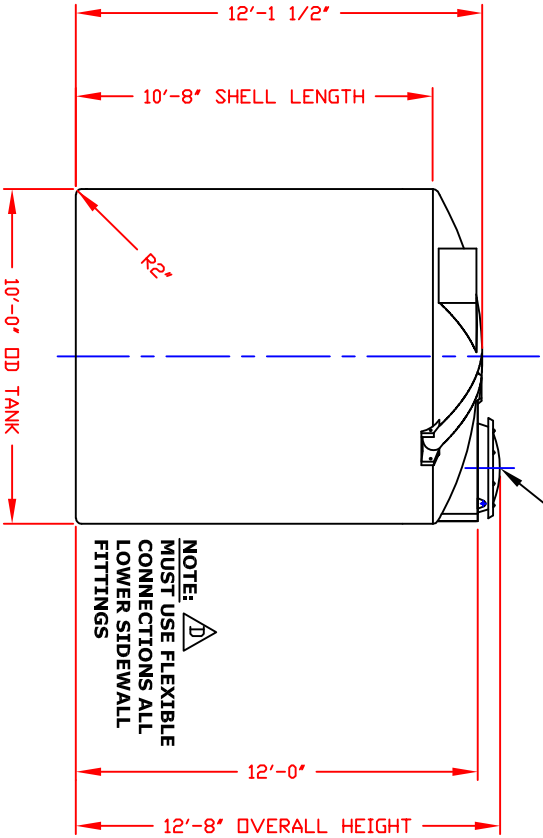
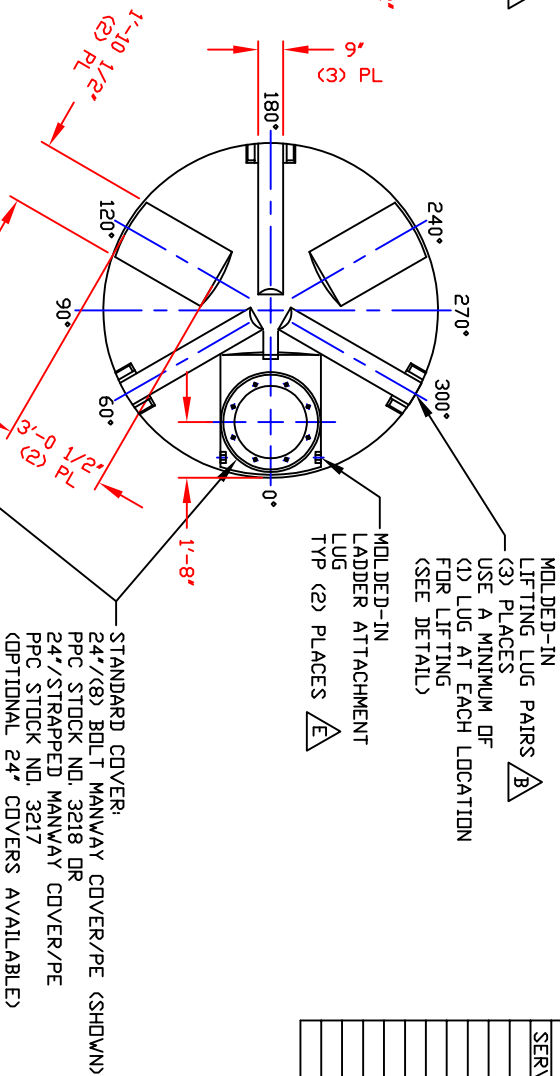
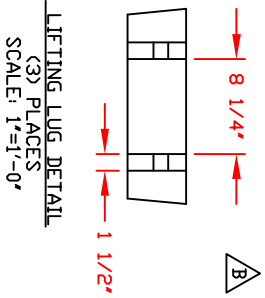


NON-CONTROLLED COPY  
 INFORMATION SUBJECT TO CHANGE WITHOUT NOTICE  
 VERIFY REV LEVEL OF PAPER COPY WITH REV LEVEL ON PPC WEB SITE



NOTE: **MUST USE FLEXIBLE CONNECTIONS ALL LOWER SIDEWALL FITTINGS**

- REV 'F' REVISED FOR MOLD MODIFICATIONS BY:JB 6/16/05 CK/M
- REV 'E' ADDED LADDER ATTACHMENT LUGS BY:JB 1/28/05 CK/M
- REV 'D' ADDED FITTING NOTE BY:JB 3/19/03 CK/M
- REV 'C' ADDED DIMENSION BY:JB 10/21/02 CK/M
- REV 'B' ADDED LIFTING LUGS & DETAILS BY:JB 8/27/02 CK/M
- REV 'A' REVISED TO REFLECT MOLD MODIFICATION BY:MBW 2/27/02 CK/J

| SERVICE | MK | STOCK | NOI | SIZE | FITTING | DEG | ELEV |
|---------|----|-------|-----|------|---------|-----|------|
|         |    |       |     |      |         |     |      |
|         |    |       |     |      |         |     |      |
|         |    |       |     |      |         |     |      |
|         |    |       |     |      |         |     |      |
|         |    |       |     |      |         |     |      |
|         |    |       |     |      |         |     |      |
|         |    |       |     |      |         |     |      |
|         |    |       |     |      |         |     |      |
|         |    |       |     |      |         |     |      |
|         |    |       |     |      |         |     |      |
|         |    |       |     |      |         |     |      |
|         |    |       |     |      |         |     |      |

- NOTES
- THIS IS A COMPUTER GENERATED DWG. DO NOT REVISE BY HAND.
  - DIMENSIONS WILL VARY ±3% DUE TO VARIATIONS IN MULTIPLE MOLDS & CONDITIONS PREVALENT DURING MANUFACTURE & USAGE.
  - NO MOLDED IN GALLONAGE MARKERS THIS TANK.

CALCULATED CAPACITIES/  
 VOLUME IN U.S. GALLONS  
 DESIGN CAP DOME TOTAL VOL  
 6138 470 6608

DWG TITLE: 6100 GALLON UPRIGHT TANK

SCALE: 1/4"=1'-0"

DATE: 10/17/19

DR: B. HARPER

Western Region  
 1800 South 4th Street  
 Salt Lake City, UT 84115  
 Fax: (801) 366-4400

CONFIDENTIAL PROPERTY OF POLY PROCESSING COMPANY NOT FOR REPRINT OR USE WITHOUT PERMISSION

SHEET 1 OF 1 VERT-06100 REV F