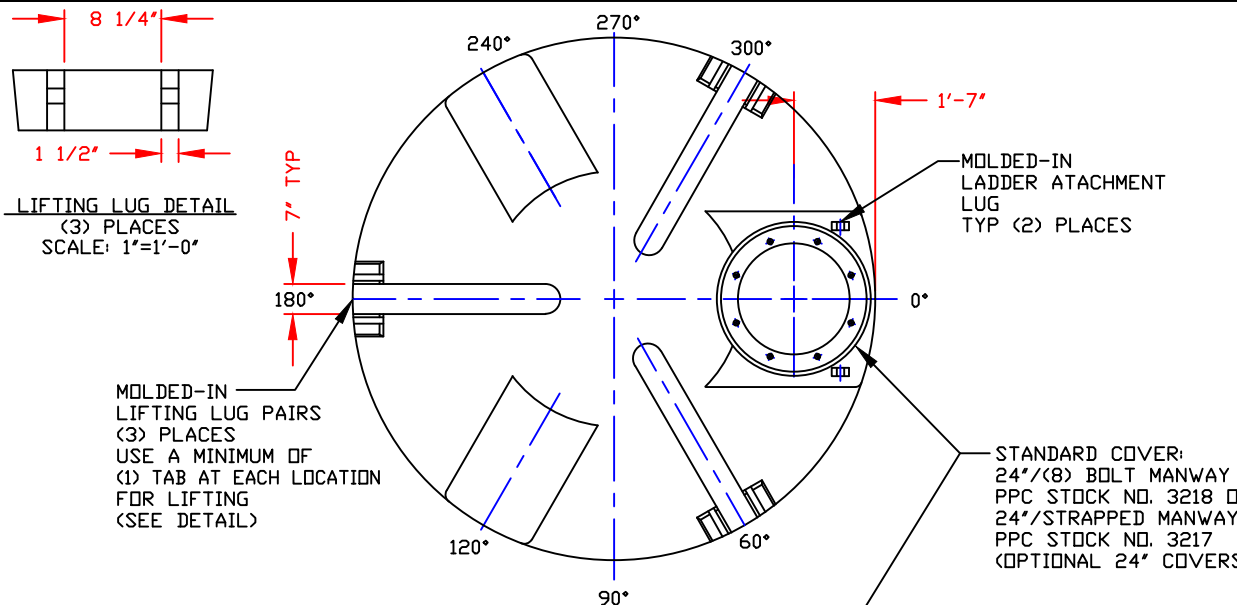
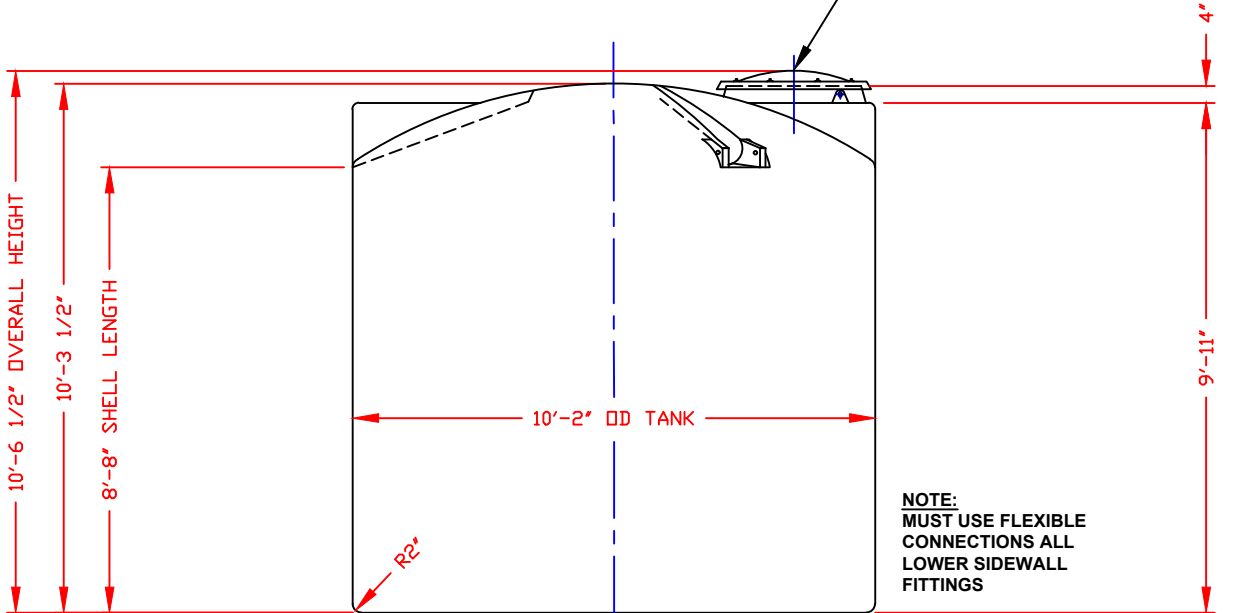


NON-CONTROLLED COPY
 INFORMATION SUBJECT TO CHANGE WITHOUT NOTICE
 VERIFY REV LEVEL OF PAPER COPY WITH REV LEVEL ON PPC WEB SITE




NOZZLE SCHEDULE & ACCESSORIES					
SERVICE	MK	STOCK NO.	SIZE	FITTING	DEG ELEV



NOTES
 1. THIS IS A COMPUTER GENERATED DWG. DO NOT REVISE BY HAND.
 2. DIMENSIONS WILL VARY ±3% DUE TO VARIATIONS IN MULTIPLE MOLDS & CONDITIONS PREVALENT DURING MANUFACTURE & USAGE.
 3. MOLDED IN GALLONAGE MARKERS @ APPROX 355° IN 200 GAL INCREMENTS UP TO 5100 GAL.

CALCULATED CAPACITIES/ VOLUME IN U.S. GALLONS		
DESIGN CAP	DOME VOL	TOTAL VOL
5174	419	5593

CONFIDENTIAL PROPERTY OF
 POLY PROCESSING COMPANY
 NOT FOR REPRINT OR USE
 WITHOUT PERMISSION

DWG TITLE		5100 GALLON UPRIGHT TANK		
SCALE:	3/8"=1'-0"	 Western Region P.O. Box 80 9055 South Ash Street French Camp, CA 95231 (209) 982-9024 FAX (209) 982-0425	DR:	B. HARPER
DATE:	10/17/19		CK:	
SHEET		COMPUTER FILE		
1 OF 1		VERT-05100		
REV		F		

REV "D" REVISED FOR MOLD MODIFICATIONS BY:JB 6/16/05 CK:WM
 REV "C" ADDED FITTING NOTE BY:JB 3/19/03 CK:MBW
 REV "B" ADDED LIFTING LUGS & DETAIL BY:JB 10/31/02 CK:WM
 REV "A" ADDED DIMENSION BY:JB 10/21/02 CK:MBW
 REV "F" REVISED GUTTER LENGTH BY:BT 06/24/22 CK:JS
 REV "E" REVISED FOR NEW MOLD BY:MBW 10/30/07 CK:WM