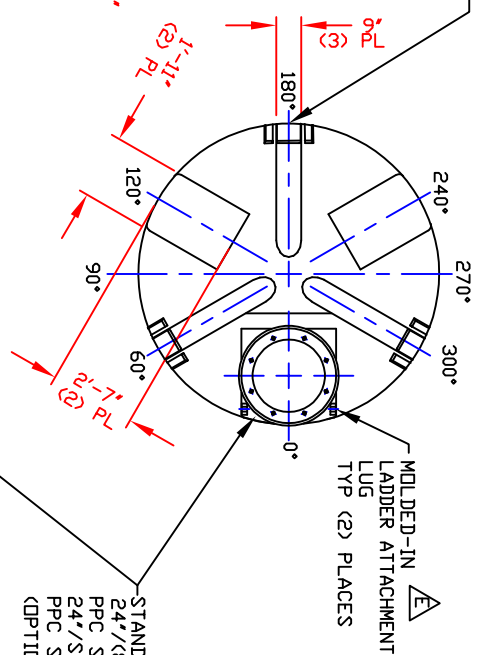
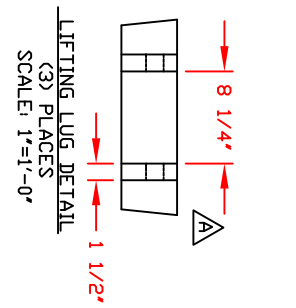
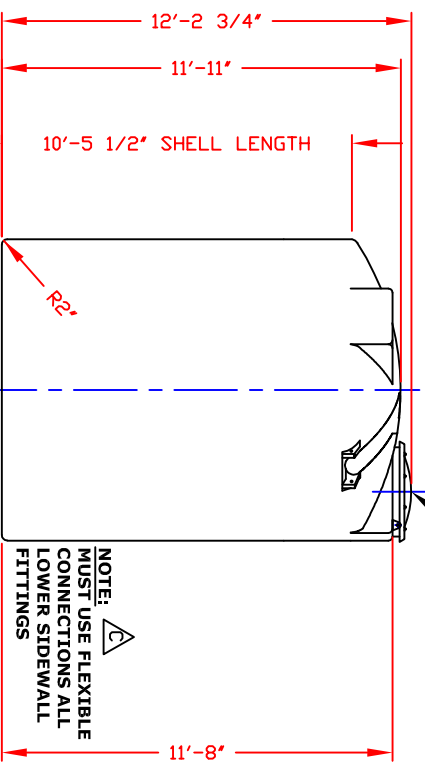


NON-CONTROLLED COPY
 INFORMATION SUBJECT TO CHANGE WITHOUT NOTICE
 VERIFY REV LEVEL OF PAPER COPY WITH REV LEVEL ON PPC WEB SITE

MOLDED-IN LIFTING LUG PAIRS
 (3) PLACES
 MUST USE ALL LUGS FOR LIFTING
 (SEE DETAIL)



STANDARD COVER:
 24"/(8) BOLT MANWAY COVER/PE (SHOWN)
 PPC STOCK NO. 3218 DR
 24"/STRAPPED MANWAY COVER/PE
 PPC STOCK NO. 3217
 (OPTIONAL 24" COVERS AVAILABLE)



NOTE:
 MUST USE FLEXIBLE CONNECTIONS ALL LOWER SIDEWALL FITTINGS

REV 'E' ADDED LADDER ATTACHMENT LUGS BY:JUB 10/2/09 CKJWM
 REV 'D' REVISED COVER BY:JUB 11/24/03 CKIMBW
 REV 'C' ADDED FITTING NOTE BY:JUB 2/12/03 CKIMBW
 REV 'B' REVISED STOCK NUMBER BY:JUB 1/14/03 CKJWM
 REV 'A' ADDED LIFTING LUGS & DETAIL BY:JUB 1/14/03 CKJWM

NOZZLE SCHEDULE & ACCESSORIES		DEG ELEV
SERVICE	MM STOCK NO./SIZE	FITTING

NOTES:
 1. THIS IS A COMPUTER GENERATED DWG. DO NOT REVISE BY HAND.
 2. DIMENSIONS WILL VARY ±3% DUE TO VARIATIONS IN MULTIPLE MOLDS & CONDITIONS PREVALENT DURING MANUFACTURE & USAGE.
 3. NO MOLDED IN GALLONAGE MARKERS THIS TANK.

CALCULATED CAPACITIES/ VOLUME IN U.S. GALLONS	DESIGN CAP	DOME VOL	TOTAL VOL
4925	400	5325	

CONFIDENTIAL PROPERTY OF
 POLY PROCESSING COMPANY
 NOT FOR REPRINT OR USE
 WITHOUT PERMISSION

DWG TITLE: 4925 GALLON UPRIGHT TANK

SCALE: 1/4"=1'-0"

DATE: 10/17/19

DR: B. HARPER

1 OF 1 SHEET

1 VERT-04925

Western Region
 6025 South Ave. Street
 6027 West Ave. Street
 P.O. Box 900
 Pk. 6027 West Ave

Polyprocessing SOLUTIONS, SIMPLIFIED