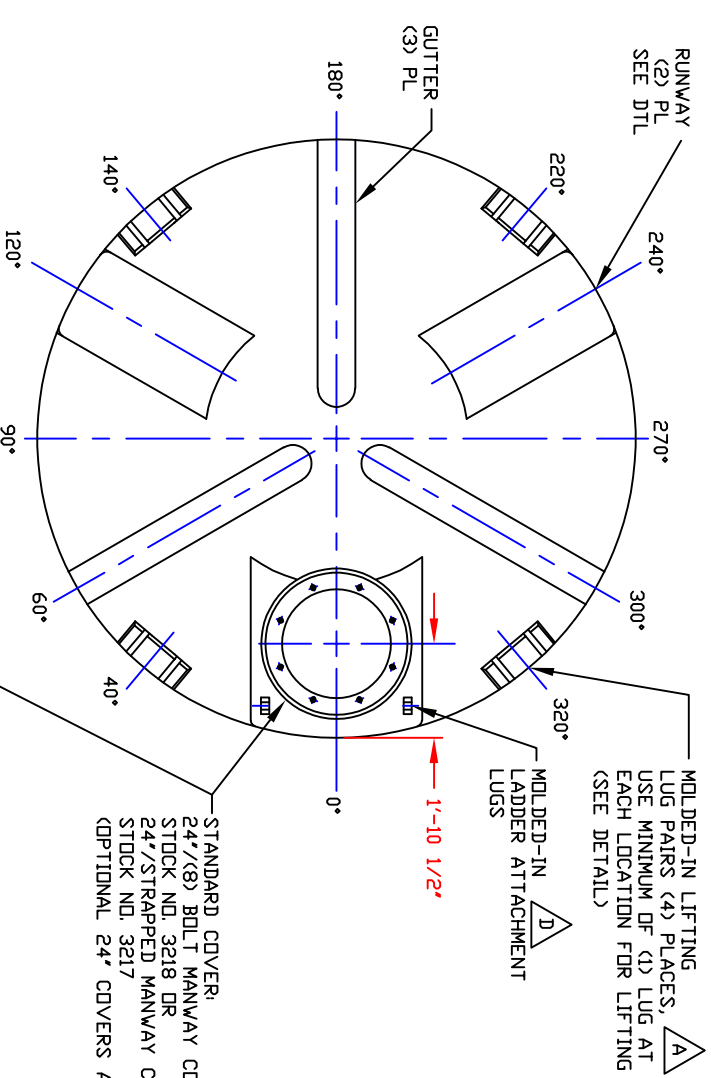
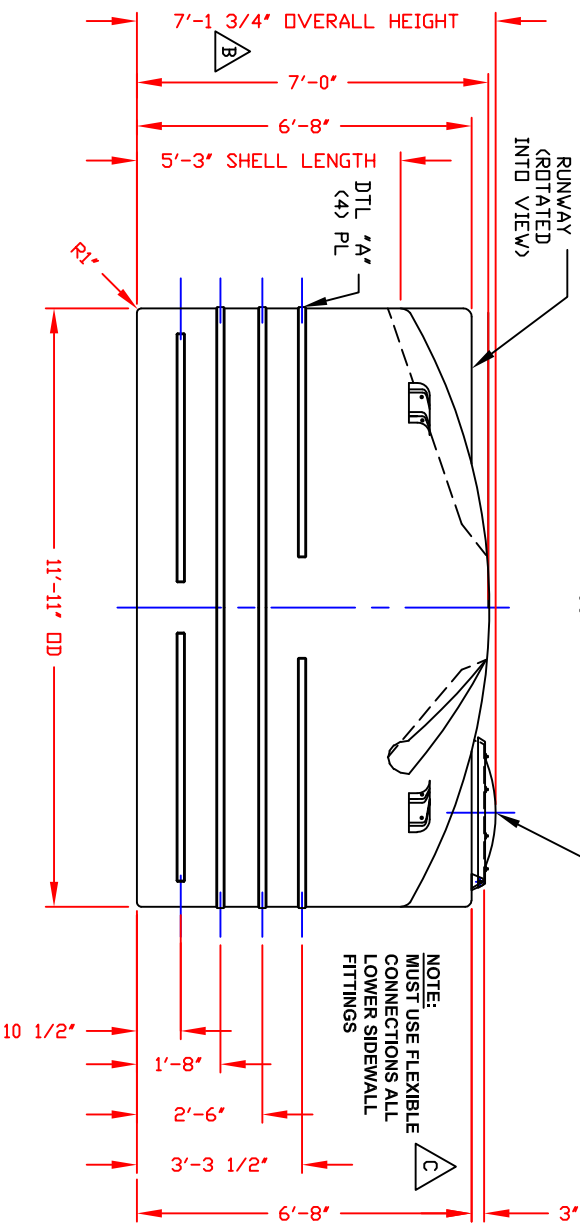


REV "A" ADDED LIFTING LUGS & DETAIL BY:JB 9/24/02 CK:WM
 REV "B" ADDED DIMENSION BY:JB 10/18/02 CK:MBW
 REV "C" ADDED FITTING NOTE BY:MBW 2/17/03 CK:JB
 REV "D" ADDED LADDER ATTACHMENT LUGS BY:JB 5/14/04 CK:WM
 REV "E" REVISED FOR MOLD UPDATE BY:JB 9/29/09 CK:WM



STANDARD COVER:
 24"/(8) BOLT MANWAY COVER/PE (SHOWN)
 STOCK NO. 3218 OR
 24"/STRAPPED MANWAY COVER/PE
 STOCK NO. 3217
 (OPTIONAL 24" COVERS AVAILABLE)

NOTES:
 1. THIS IS A COMPUTER GENERATED DWG. DO NOT REVISE BY HAND.
 2. DIMENSIONS WILL VARY ±3% DUE TO VARIATIONS IN MULTIPLE
 MOLDS & CONDITIONS PREVALENT DURING MANUFACTURE & USAGE.
 3. NO MOLDED IN GALLONAGE MARKERS THIS TANK.

CALCULATED CAPACITIES/ VOLUME IN U.S. GALLONS	DESIGN CAP. DIM. VOL. TOTAL VOL.
4322	675 4997

CONFIDENTIAL PROPERTY OF
 POLY PROCESSING COMPANY
 NOT FOR REPRINT OR USE
 WITHOUT PERMISSION

4250 GALLON UPRIGHT TANK

DWG TITLE

SCALE:	3/8"=1'-0"	DR:	B. HARPER
DATE:	10/10/19	CK:	
		Central Region P.O. Box 428 Houston, TX 77248-0428 Tel: 281-296-9799 Fax: 281-296-9798	
SHEET	1 OF 1	COMPUTER FILE	VERT-04250
REV	E		

