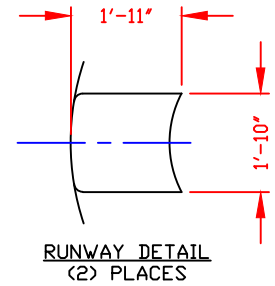
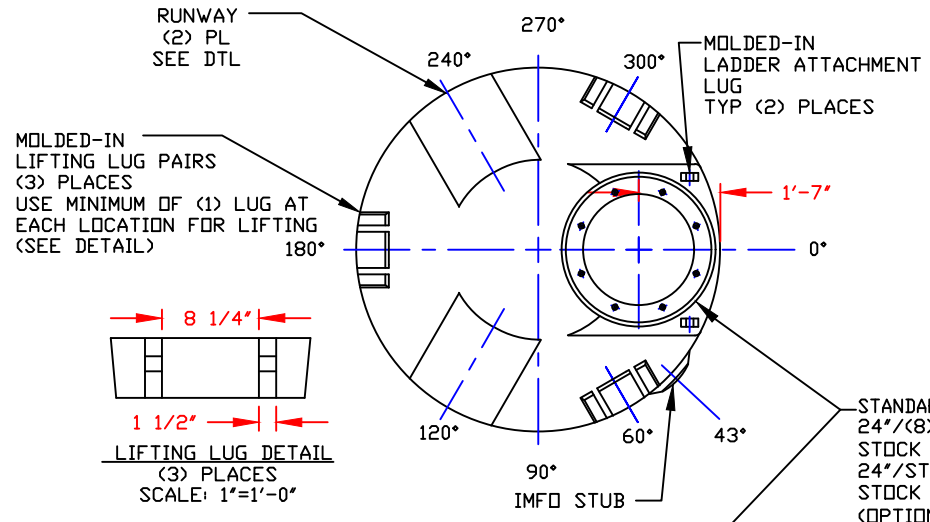


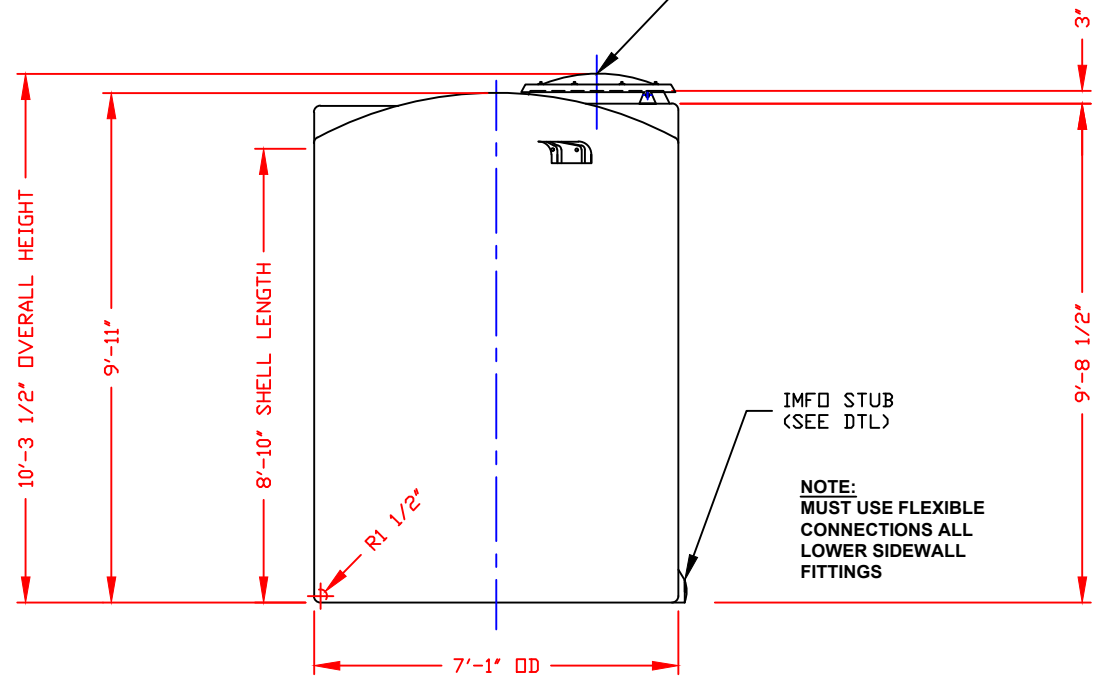
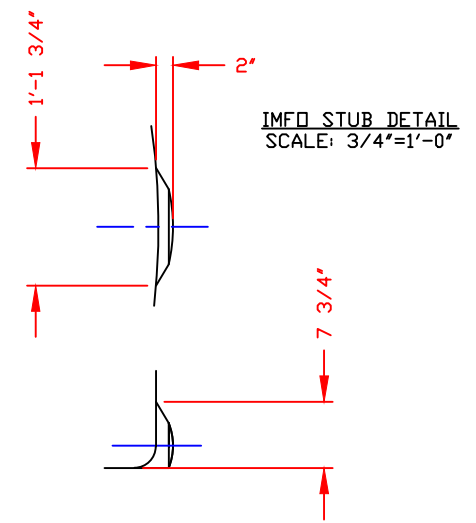
NON-CONTROLLED COPY  
 INFORMATION SUBJECT TO CHANGE WITHOUT NOTICE  
 VERIFY REV LEVEL OF PAPER COPY WITH REV LEVEL ON PPC WEB SITE



**NOZZLE SCHEDULE & ACCESSORIES**

SERVICE	MK	STOCK NO.	SIZE	FITTING	DEG	ELEV

**STANDARD COVER:**  
 24"/(8) BOLT MANWAY COVER/PE (SHOWN) STOCK NO. 3218 OR  
 24"/STRAPPED MANWAY COVER/PE STOCK NO. 3217  
 (OPTIONAL 24' COVERS AVAILABLE)



- NOTES**
- THIS IS A COMPUTER GENERATED DWG. DO NOT REVISE BY HAND.
  - DIMENSIONS WILL VARY ±3% DUE TO VARIATIONS IN MULTIPLE MOLDS & CONDITIONS PREVALENT DURING MANUFACTURE & USAGE.
  - MOLDED IN GALLONAGE MARKERS @ APPROX 60° IN 200 GAL INCREMENTS UP TO 2200 GAL. GALLONAGE MARKERS ARE 5" WIDE AND MUST BE AVOIDED WHEN PLACING FITTINGS.

**CALCULATED CAPACITIES/  
 VOLUME IN U.S. GALLONS**

DESIGN CAP	HOME VOL	TOTAL VOL
2559	142	2701

**CONFIDENTIAL PROPERTY OF  
 POLY PROCESSING COMPANY  
 NOT FOR REPRINT OR USE  
 WITHOUT PERMISSION**

**DWG TITLE**  
 2550 GALLON UPRIGHT TANK (VA)

SCALE: 3/8"=1'-0"

DATE: 04/06/2021

**POLYPROCESSING SOLUTIONS. SIMPLIFIED.**

Central Region  
 P.O. Box 4159 (71611)  
 2501 Old Strongton Rd.  
 Monroe, LA 71203  
 CTR 343-7543  
 FAX (504) 343-8795

DR: B. HARPER  
 CK:

REV \*A\* CORRECTED KNUCKLE RADIUS BY: JB 2/8/19