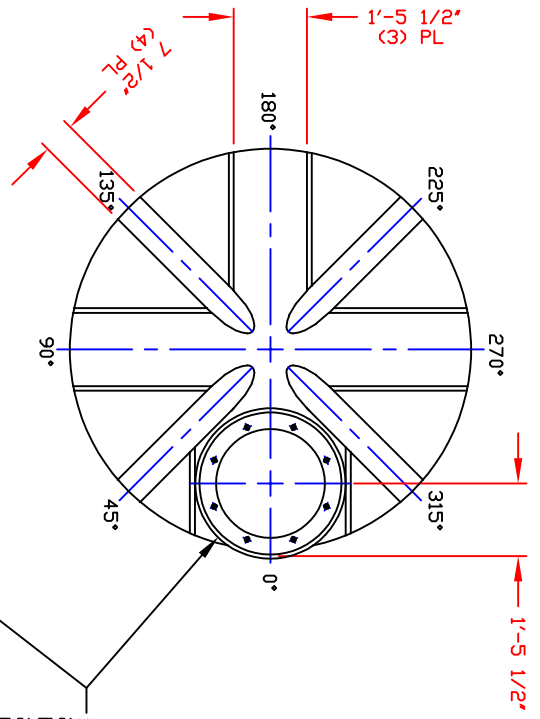
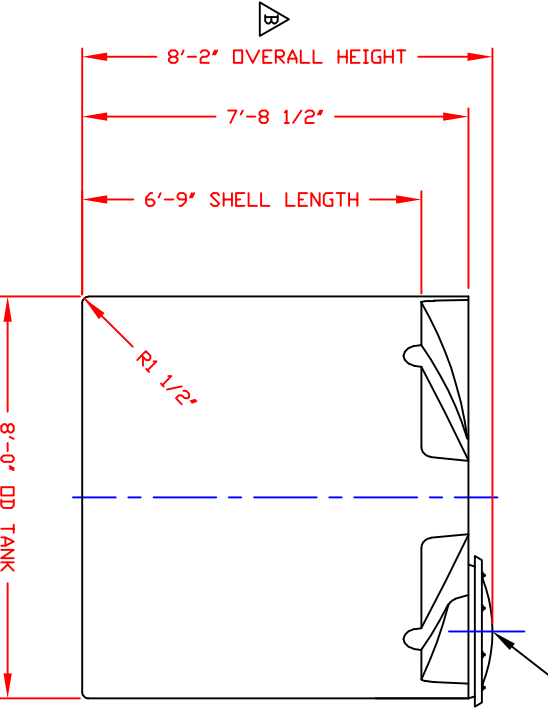


NON-CONTROLLED COPY
 INFORMATION SUBJECT TO CHANGE WITHOUT NOTICE
 VERIFY REV LEVEL OF PAPER COPY WITH REV LEVEL ON PPC WEB SITE



STANDARD COVER:
 24\"/>



NOTE:
 MUST USE FLEXIBLE
 CONNECTIONS ALL
 LOWER SIDEWALL
 FITTINGS

- NOTES**
1. THIS IS A COMPUTER GENERATED DWG. DO NOT REVISE BY HAND.
 2. DIMENSIONS WILL VARY ±3% DUE TO VARIATIONS IN MULTIPLE MOLDS & CONDITIONS PREVALENT DURING MANUFACTURE & USAGE.
 3. NO GALLONAGE MARKERS THIS TANK.

CALCULATED CAPACITIES/ VOLUME IN U.S. GALLONS	
DESIGN CAP DOME VOL TOTAL VOL	
2504	2640

CONFIDENTIAL PROPERTY OF
 POLY PROCESSING COMPANY
 NOT FOR REPRINT OR USE
 WITHOUT PERMISSION

DWG TITLE: 2500 GALLON UPRIGHT TANK

SCALE: 3/8"=1'-0"
 DATE: 10/17/19

 Western Region
 1600 South 4th Street
 Grand Rapids, MI 49504
 FAX 616-962-4953

SERVICE	MK STOCK	NOI SIZE	FITTING	DEG ELEV

REV 'C' ADDED FITTING NOTE BY:JUB 3/19/03 CK:MBW
 REV 'B' ADDED DIMENSION DR:JUB 10/18/02 CK:MBW
 REV 'A' REVISED TO REFLECT MOLD MODIFICATION DR:MBW 9/21/00 CK:JUB

SHEET	1 OF 1	COMPUTER FILE	DR: B. HARPER
REV		VERT-02500	CK: