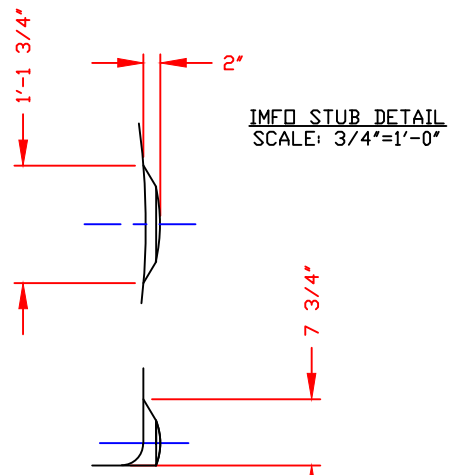
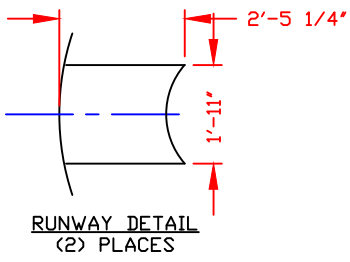
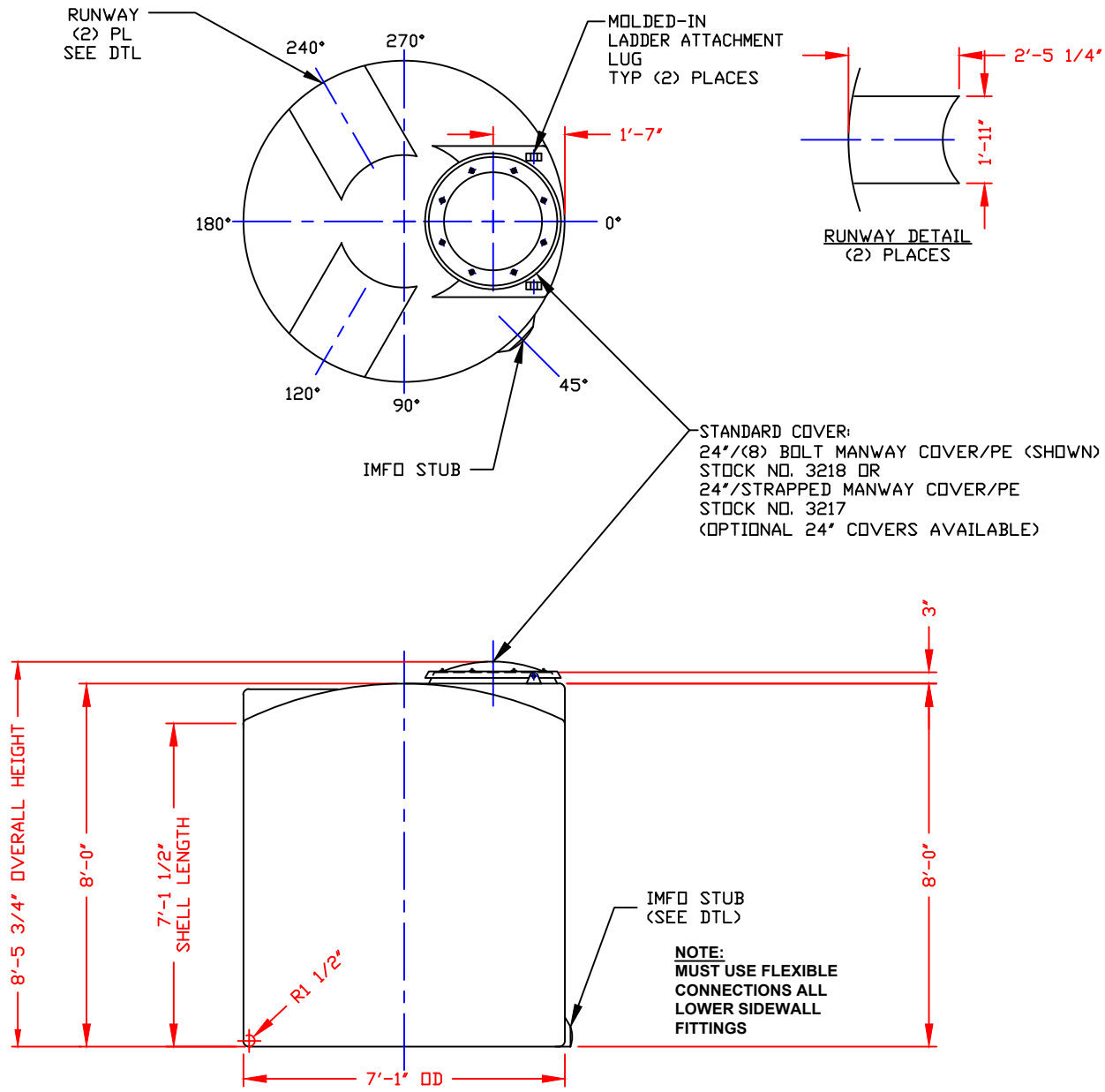


NON-CONTROLLED COPY
 INFORMATION SUBJECT TO CHANGE WITHOUT NOTICE
 VERIFY REV LEVEL OF PAPER COPY WITH REV LEVEL ON PPC WEB SITE



- NOTES**
1. THIS IS A COMPUTER GENERATED DWG. DO NOT REVISE BY HAND.
 2. DIMENSIONS WILL VARY ±3% DUE TO VARIATIONS IN MULTIPLE MOLDS & CONDITIONS PREVALENT DURING MANUFACTURE & USAGE.
 3. MOLDED IN GALLONAGE MARKERS @ APPROX. 60° IN 200 GAL. INCREMENTS UP TO 1800 GAL.

CALCULATED CAPACITIES/ VOLUME IN U.S. GALLONS		
DESIGN CAP	DOME VOL	TOTAL VOL
2035	142	2177

CONFIDENTIAL PROPERTY OF
 POLY PROCESSING COMPANY
 NOT FOR REPRINT OR USE
 WITHOUT PERMISSION

DWG TITLE			
2050 GALLON UPRIGHT TANK			
SCALE:	3/8"=1'-0"	 Central Region P.O. Box 4159 (71281) 2201 Old Springington Rd. Monroe, LA 71203 CTRD 343-7543 FAX (504) 343-8795	DR:
DATE:	10/9/19		CK:
SHEET		COMPUTER FILE	REV
1 OF 1		VERT-02050	A