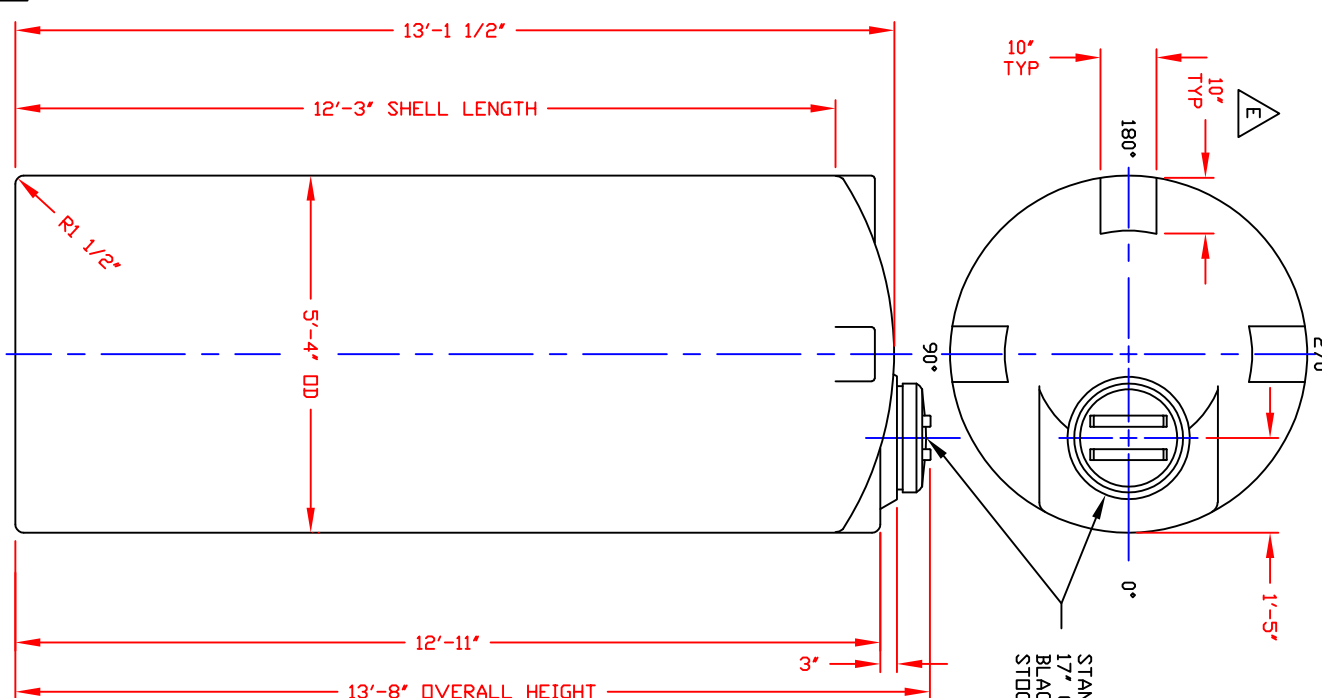


NON-CONTROLLED COPY

INFORMATION SUBJECT TO CHANGE WITHOUT NOTICE

VERIFY REV LEVEL OF PAPER COPY WITH REV LEVEL ON PPC WEB SITE

STANDARD COVER
17" CAP/BUTRESS THRD
BLACK PE
STOCK NO. 4558



NOTE:
MUST USE FLEXIBLE
CONNECTIONS ALL
LOWER SIDEWALL
FITTINGS

REV 'E'	ADDED FTG FLATS TO DOME BY:JB 3/7/13 CK:WM
REV 'D'	REVISED COVER BY:JB 7/24/09 CK:WM
REV 'C'	ADDED FITTING NOTE BY:MBW 2/17/03 CK:JB
REV 'B'	REVISED LID BY:MBW 2/17/03 CK:JB
REV 'A'	ADDED DIMENSION BY:JB 10/18/02 CK:MBW

- NOTES
1. THIS IS A COMPUTER GENERATED DWG. DO NOT REVISE BY HAND.
 2. DIMENSIONS WILL VARY ±3% DUE TO VARIATIONS IN MULTIPLE MOLDS & CONDITIONS PREVALENT DURING MANUFACTURE & USAGE.
 3. 4 1/2" WIDE MOLDED IN GALLONAGE MARKERS @ APPROX 15" IN 100 GAL INCREMENTS UP TO 2000 GAL. AVOID WHEN PLACING FTGS.

NOZZLE SCHEDULE & ACCESSORIES		
SERVICE	MK STOCK NO/ SIZE	DEG ELEV

CALCULATED CAPACITIES/ VOL/UME IN U.S. GALLONS
DESIGN CAP/ DOME VOL/TOTAL VOL
1999 61 2060

CONFIDENTIAL PROPERTY OF
POLY PROCESSING COMPANY
NOT FOR REPRINT OR USE
WITHOUT PERMISSION

1950 GALLON UPRIGHT TANK

DWG TITLE			DR: B. HARPER		
SCALE:	1/2"=1'-0"	Central Region P.O. Box 4589 10801 S. Westinghouse Ave. CMO, Salt Lake City, UT 84146-4589 PH: (801) 241-9789			
DATE:	10/9/19	CK:			
SHEET		1	OF	1	VERT-01950
COMPUTER FILE		REV			
E					

P-5