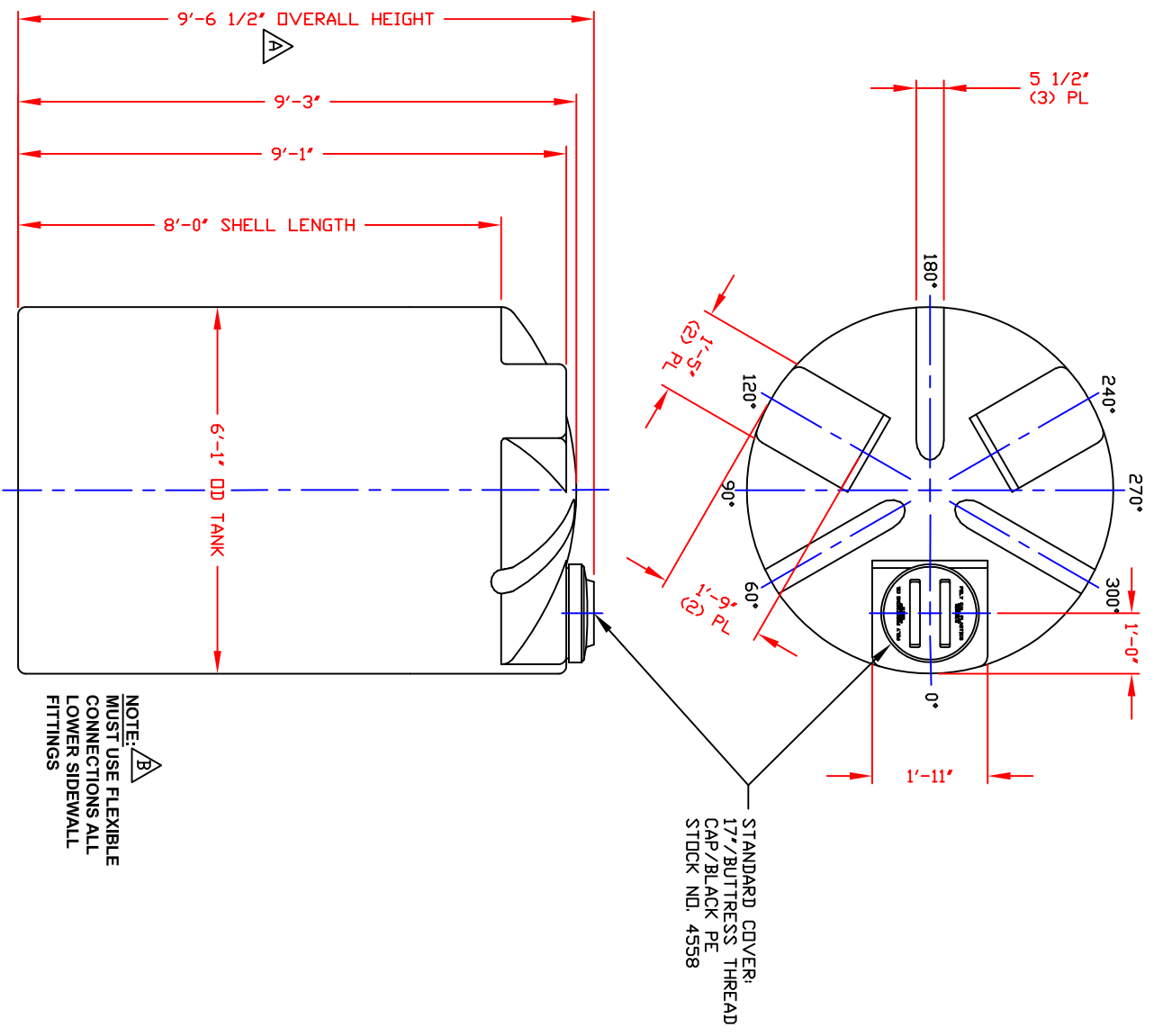


NON-CONTROLLED COPY  
 INFORMATION SUBJECT TO CHANGE WITHOUT NOTICE  
 VERIFY REV LEVEL OF PAPER COPY WITH REV LEVEL ON PPC WEB SITE



STANDARD COVER:  
 1 7/8\"/>


- NOTES**
1. THIS IS A COMPUTER GENERATED DWG. DO NOT REVISE BY HAND.
  2. DIMENSIONS WILL VARY ±3% DUE TO VARIATIONS IN MULTIPLE MOLDS & CONDITIONS PREVALENT DURING MANUFACTURE & USAGE.
  3. NO MOLDED IN GALLONAGE MARKERS THIS TANK

CALCULATED CAPACITIES/ VOLUME IN U.S. GALLONS	
DESIGN CAP	1714
DOME VOL	157
TOTAL VOL	1871

CONFIDENTIAL PROPERTY OF  
 POLY PROCESSING COMPANY  
 NOT FOR REPRINT OR USE  
 WITHOUT PERMISSION

**NOTE: A**  
 MUST USE FLEXIBLE  
 CONNECTIONS ALL  
 LOWER SIDEWALL  
 FITTINGS

REV 'B' ADDED FITTING NOTE BY:JUB 3/19/03 CKMBW  
 REV 'A' ADDED DIMENSION BY:JUB 10/17/02 CKMBW

DWG TITLE		1715 GALLON UPRIGHT TANK	
SCALE:	1/2"=1'-0"		
DATE:	10/17/19		
 <b>POLY PROCESSING SOLUTIONS, INC.</b>		Western Region 1000 South Main Street Fresno, CA 93721 FAX (559) 262-0405	
SHEET		DR:	B. HARPER
1 OF 1		CK:	
COMPUTER FILE			
		REV	B