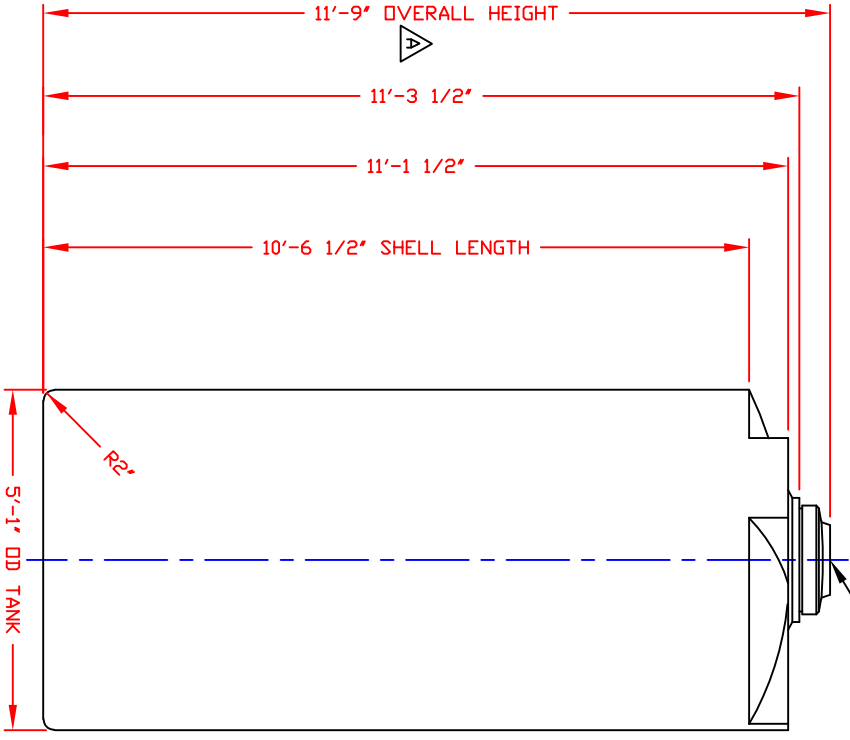
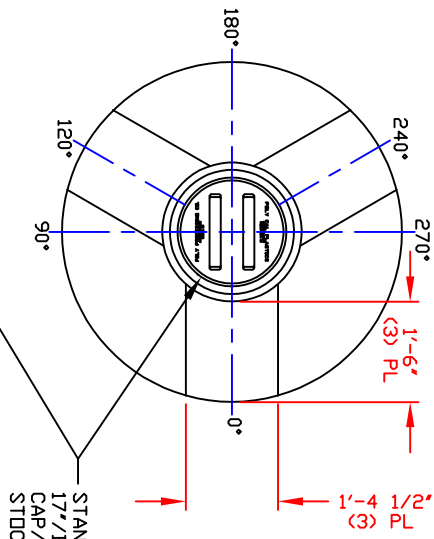


NON-CONTROLLED COPY
 INFORMATION SUBJECT TO CHANGE WITHOUT NOTICE
 VERIFY REV LEVEL OF PAPER COPY WITH REV LEVEL ON PPC WEB SITE



SERVICE	MK	STOCK	NOI	SIZE	NOZZLE SCHEDULE & ACCESSORIES	FITTING	DEG	ELEV

STANDARD COVER,
 1 7/8 BUTTRESS THREAD
 CAP/BLACK PE
 STOCK NO. 4558

NOTE: **A**
 MUST USE FLEXIBLE
 CONNECTIONS ALL
 LOWER SIDEWALL
 FITTINGS

REV 'B' ADDED FITTING NOTE BY:JB 3/19/03 CKMBW
 REV 'A' ADDED DIMENSION BY:JB 10/17/02 CKMBW

- NOTES
1. THIS IS A COMPUTER GENERATED DWG. DO NOT REVISE BY HAND.
 2. DIMENSIONS WILL VARY ±3% DUE TO VARIATIONS IN MULTIPLE MOLDS & CONDITIONS PREVALENT DURING MANUFACTURE & USAGE.
 3. MOLDED IN GALLONAGE MARKERS @ 0° IN 100 GAL INCREMENTS STARTING @ 100 GAL UP TO 1400 GAL. AVOID WHEN PLACING FITTINGS.

CALCULATED CAPACITIES/ VOLUME IN U.S. GALLONS DESIGN CAP DOME VOL TOTAL VOL 1568 45 1613		CONFIDENTIAL PROPERTY OF POLY PROCESSING COMPANY NOT FOR REPRINT OR USE WITHOUT PERMISSION	
DWG TITLE 1550 GALLON UPRIGHT TANK			
SCALE:	1/2"=1'-0"		Western Region 4000 South 4th Street Suite 200 Phoenix, AZ 85040 Tel: 480-992-4800
DATE:	10/17/19		
SHEET 1 OF 1		COMPUTER FILE VERT-01550	REV B