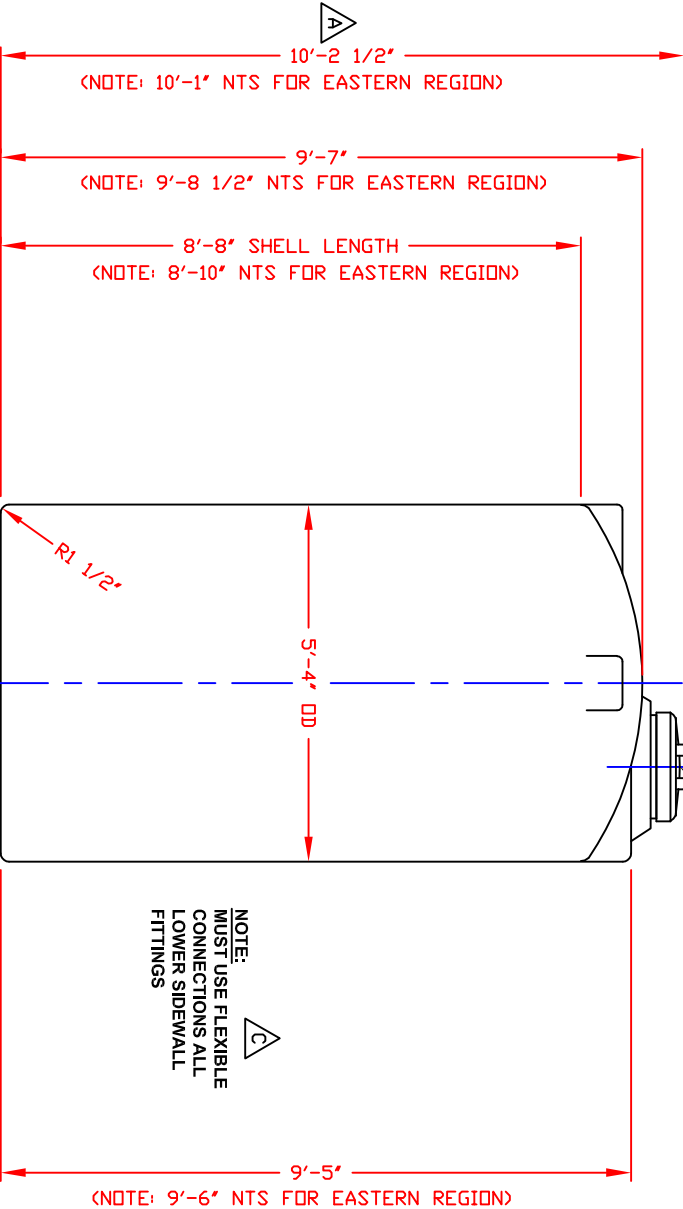
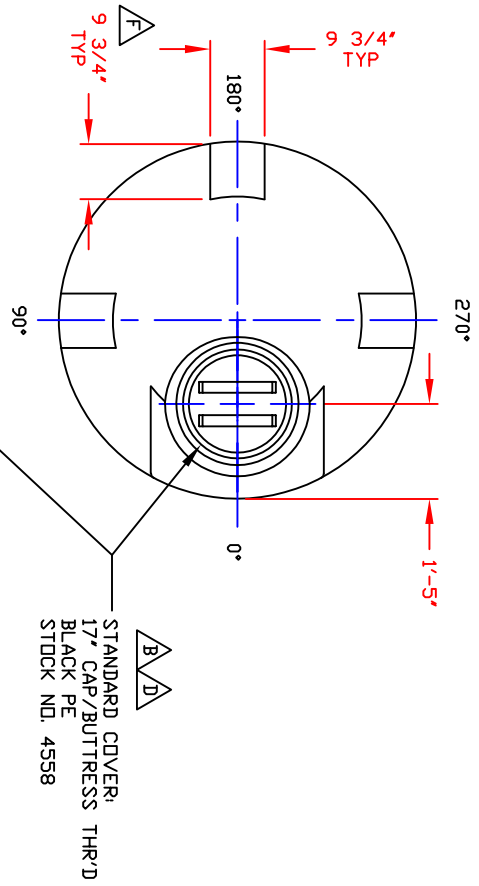


NON-CONTROLLED COPY
 INFORMATION SUBJECT TO CHANGE WITHOUT NOTICE
 VERIFY REV LEVEL OF PAPER COPY WITH REV LEVEL ON PPC WEB SITE



REV 'F' ADDED FITG FLATS TO DOME BY:J.B 12/3/12 CK:W.M
 REV 'E' REVISED MANWAY CONFIGURATION BY:J.B 1/6/11 CK:W.M
 REV 'D' REVISED COVER BY:J.B 7/23/09 CK:W.M
 REV 'C' ADDED FITTING NITE BY:W.B 2/17/03 CK:J.B
 REV 'B' REVISED LID BY:W.B 2/17/03 CK:J.B
 REV 'A' ADDED DIMENSION BY:J.B 10/16/02 CK:W.B

NOZZLE SCHEDULE & ACCESSORIES		
SERVICE	MK STOCK NDL SIZE	FITTING

NOTES:

1. THIS IS A COMPUTER GENERATED DWG. DO NOT REVISE BY HAND.
2. DIMENSIONS WILL VARY ±3% DUE TO VARIATIONS IN MULTIPLE MOLDS & CONDITIONS PREVALENT DURING MANUFACTURE & USAGE.
3. MOLDED IN GALLONAGE MARKERS IN MANWAY AREA IN 100 GALLON INCREMENTS UP TO 1400 GAL. CENTRAL REGION.
4. 4 1/2" WIDE MOLDED IN GALLONAGE MARKERS @ APPROX 15" IN 100 GAL INCREMENTS UP TO 1300 GAL. AVOID WHEN FITTING. EASTERN REGION.

CALCULATED CAPACITIES/ VOLUME IN U.S. GALLONS	DESIGN CAP	DOME VOL	TOTAL VOL
1424	61	1485	

CONFIDENTIAL PROPERTY OF
 POLY PROCESSING COMPANY
 NOT FOR REPRINT OR USE
 WITHOUT PERMISSION

DWG TITLE: 1400 GALLON UPRIGHT TANK

SCALE: 1/2"=1'-0"

DATE: 10/9/19

POLY PROCESSING SOLUTIONS, SUPERLET

Central Region
 P.O. Box 4880
 6200 S.W. 24th Street
 Ft. Lauderdale, FL 33309

DR: B. HARRER
 CK: [blank]

SHEET 1 OF 1 COMPUTER FILE
 VERT-01400