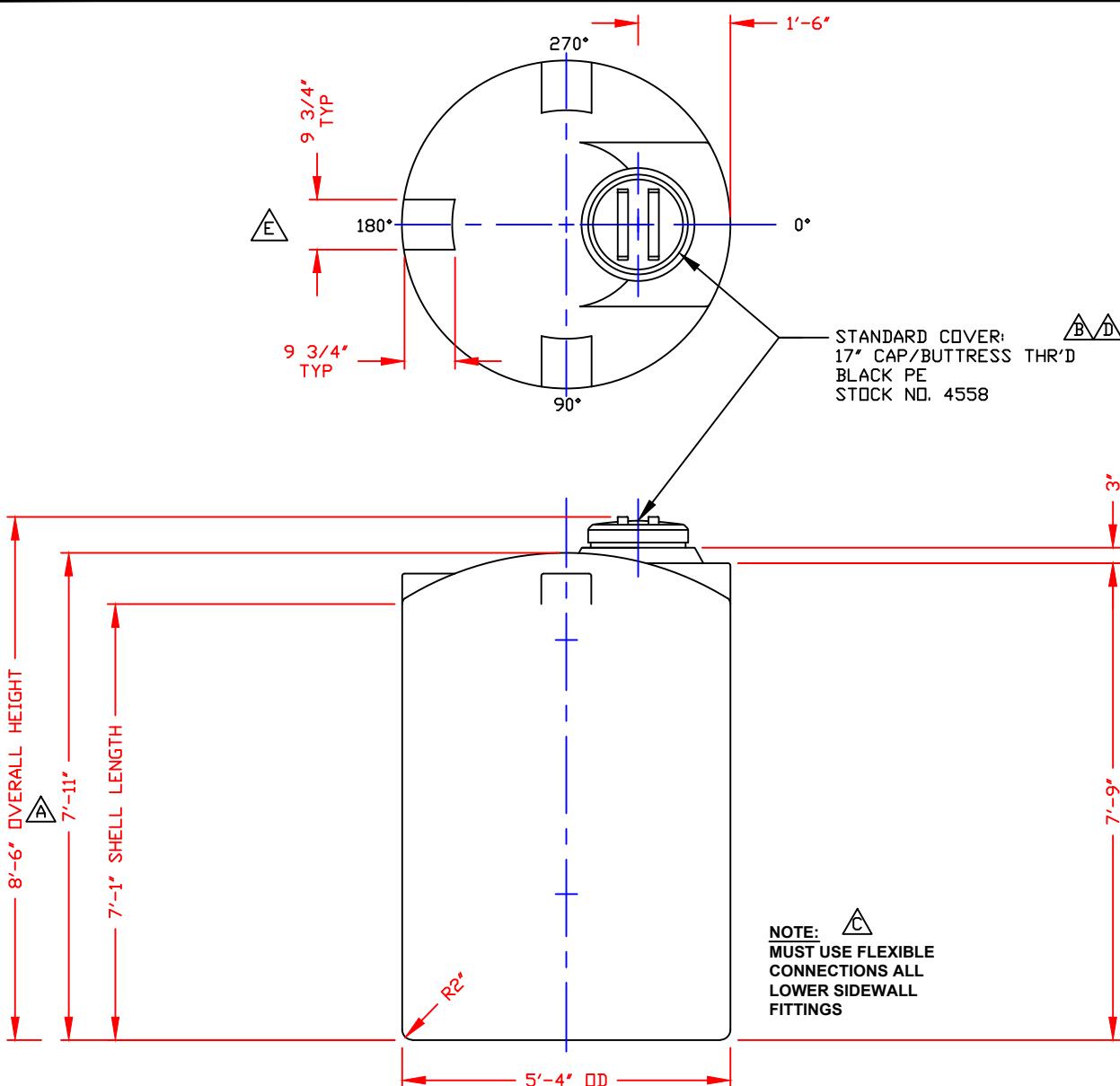


NON-CONTROLLED COPY
 INFORMATION SUBJECT TO CHANGE WITHOUT NOTICE
 VERIFY REV LEVEL OF PAPER COPY WITH REV LEVEL ON PPC WEB SITE



NOZZLE SCHEDULE & ACCESSORIES					
SERVICE	MK	STOCK NO.	SIZE	FITTING	DEG ELEV

- NOTES**
1. THIS IS A COMPUTER GENERATED DWG. DO NOT REVISE BY HAND.
 2. DIMENSIONS WILL VARY ±3% DUE TO VARIATIONS IN MULTIPLE MOLDS & CONDITIONS PREVALENT DURING MANUFACTURE & USAGE.
 3. 4" WIDE MOLDED IN GALLONAGE MARKERS AT APPROX. 15° UP TO 1000 GAL. AVOID WHEN FITTING. CENTRAL REGION.
 4. 4" WIDE MOLDED IN GALLONAGE MARKERS AT APPROX. 6° UP TO 1000 GAL. AVOID WHEN FITTING. EASTERN REGION.

CALCULATED CAPACITIES/ VOLUME IN U.S. GALLONS		
DESIGN CAP	DOME VOL	TOTAL VOL
1168	61	1229

CONFIDENTIAL PROPERTY OF
 POLY PROCESSING COMPANY
 NOT FOR REPRINT OR USE
 WITHOUT PERMISSION

DWG TITLE: 1160 GALLON UPRIGHT TANK

- REV "E" ADDED FTG FLATS TO DOME BY:JB 12/31/12 CK:WM
- REV "D" REVISED COVER BY:JB 7/23/09 CK:WM
- REV "C" ADDED FITTING NOTE BY:MBW 2/11/03 CK:JB
- REV "B" REVISED LID BY:MBW 2/11/03 CK:JB
- REV "A" ADDED DIMENSION BY:JB 10/15/02 CK:MBW

SCALE: 1/2"=1'-0"	<p>POLYPROCESSING SOLUTIONS. SIMPLIFIED.</p>	Central Region P.O. Box 4550 (71613) 2201 Old Springington Rd. Monroe, LA 71203 (504) 343-7262 FAX (504) 343-8795	DR: B. HARPER
DATE: 6/10/2020		SHEET 1 OF 1	COMPUTER FILE VERT-01160