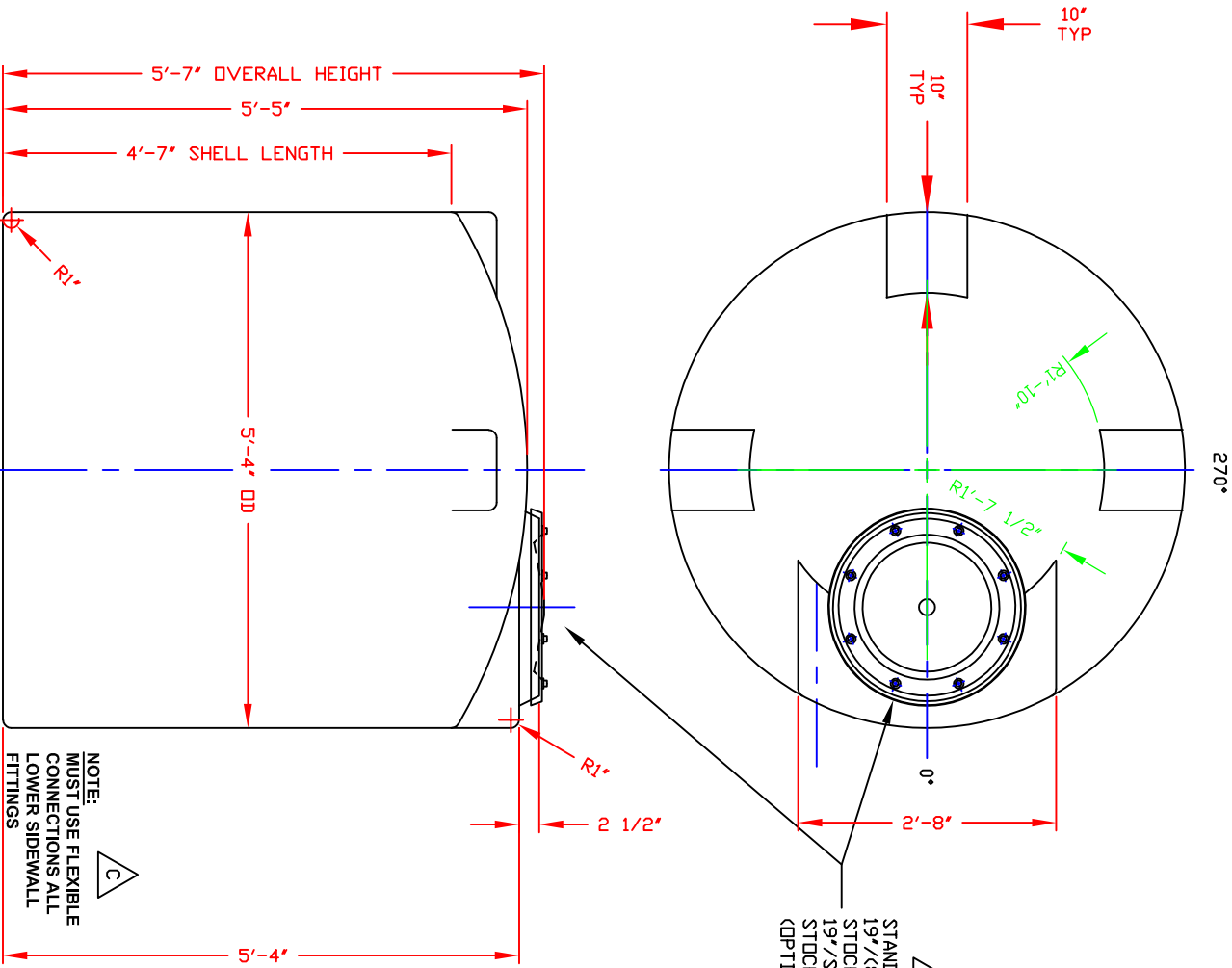


NON-CONTROLLED COPY
 INFORMATION SUBJECT TO CHANGE WITHOUT NOTICE
 VERIFY REV LEVEL OF PAPER COPY WITH REV LEVEL ON PPC WEB SITE



NOTE:
 MUST USE FLEXIBLE
 CONNECTIONS ALL
 LOWER SIDEWALL
 FITTINGS

D
F
 STANDARD COVER:
 19"/(8) BOLT MANWAY COVER/PE (SHOWN)
 STOCK NO. 3214 OR
 19"/STRAPPED MANWAY COVER/PE
 STOCK NO. 3212
 (OPTIONAL 19" COVERS AVAILABLE)

- NOTES**
- 1. THIS IS A COMPUTER GENERATED DWG. DO NOT REVISE BY HAND.
 - 2. DIMENSIONS WILL VARY ±3% DUE TO VARIATIONS IN MULTIPLE MOLDS & CONDITIONS PREVALENT DURING MANUFACTURE & USAGE.
 - 3. NO MOLDED IN GALLONAGE MARKERS THIS TANK.

CALCULATED CAPACITIES/ VOLUME IN U.S. GALLONS
DESIGN CAP DOME VOL TOTAL VOL
756 61 817

**CONFIDENTIAL PROPERTY OF
 POLY PROCESSING COMPANY
 NOT FOR REPRINT OR USE
 WITHOUT PERMISSION**

NOZZLE SCHEDULE & ACCESSORIES	DEG ELEV						
SERVICE	MK	STOCK	NOI	SIZE	FITTING	DEG	ELEV

REV "F" CHANGED MANWAY TO 19" BY: KS 6/24/19 CK: CR
 REV "E" ADDED FTG FLATS TO DOME BY: JB 1/10/13 CK:WM
 REV "D" REVISED COVER BY:JB 8/4/09 CK:WM
 REV "C" ADDED FITTING NOTE BY:MBW 2/11/03 CK:JB
 REV "B" REVISED LID BY:MBW 2/11/03 CK:JB
 REV "A" ADDED DIMENSION BY:JB 10/15/02 CK:MBW

755 GALLON UPRIGHT TANK

DWG TITLE

SCALE:	3/4"=1'-0"	DATE:	10/8/19	DRAWN BY:	B. HARPER
DATE:	10/8/19	DRAWN BY:	B. HARPER	CHECKED BY:	

CENTRAL REGION 4800 S. KENTON AVE P.O. BOX 4000 JACKSON, MS 39213-4000 (601) 955-9999	POLY PROCESSING SOLUTIONS, SUPER LITE	SHEET	1 OF 1	COMPUTER FILE	VERT-00755	REV	F
---	--	-------	--------	---------------	------------	-----	---