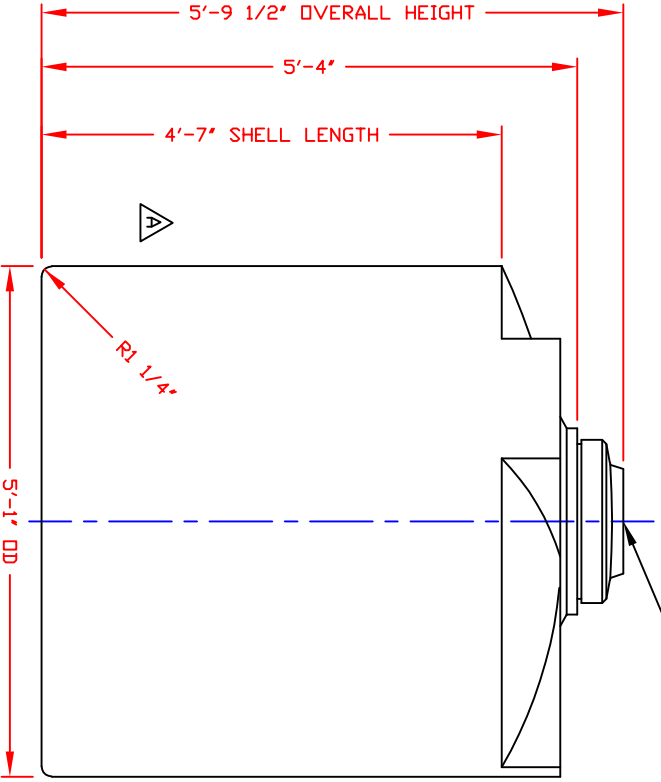
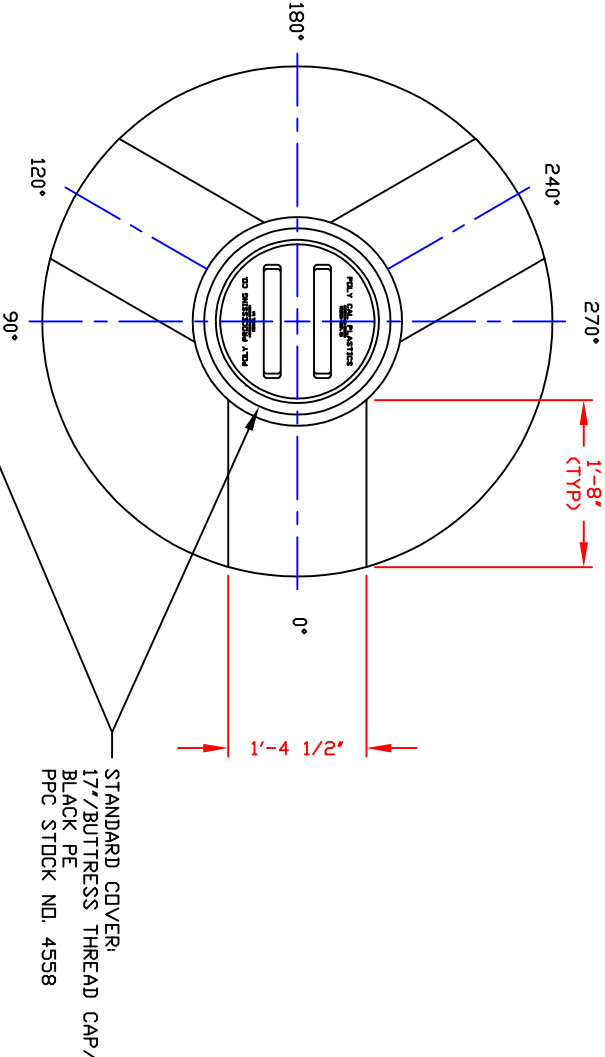


NON-CONTROLLED COPY
 INFORMATION SUBJECT TO CHANGE WITHOUT NOTICE
 VERIFY REV LEVEL OF PAPER COPY WITH REV LEVEL ON PPC WEB SITE

NOZZLE SCHEDULE & ACCESSORIES	DEG ELEV
SERVICE MK STOCK NO. SIZE FITTING	



NOTE: B
 MUST USE FLEXIBLE CONNECTIONS ALL LOWER SIDEWALL FITTINGS

- NOTES:
1. THIS IS A COMPUTER GENERATED DWG. DO NOT REVISE BY HAND.
 2. DIMENSIONS WILL VARY ±3% DUE TO VARIATIONS IN MULTIPLE MOLDS & CONDITIONS PREVALENT DURING MANUFACTURE & USAGE.
 3. MOLDED IN GALLONAGE MARKERS AT 0° IN 100 GAL INCREMENTS FROM 100 GAL TO 500 GAL. AVOID WHEN PLACING FITTINGS.

CALCULATED CAPACITIES/ VOLUME IN U.S. GALLONS	DESIGN CAP DOME VOL	TOTAL VOL
687	46	739

CONFIDENTIAL PROPERTY OF
 POLY PROCESSING COMPANY
 NOT FOR REPRINT OR USE
 WITHOUT PERMISSION

DWG TITLE: 685 GALLON UPRIGHT TANK

SCALE: 3/4" = 1'-0"

DATE: 10/17/19

DR: B. HARPER

WESTERN REGION
 1601 South 4th Street
 PO Box 7000
 IRL DR9 98640

COMPUTER FILE

SHEET 1 OF 1 VERT-00685

REV B

REV 'B' ADDED FITTING NOTE BYMBW 2/11/03 CK:JB
 REV 'A' ADDED RADIUS BYMBW 2/22/00 CK:DR