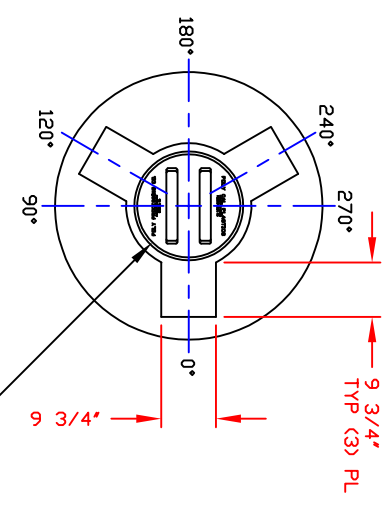
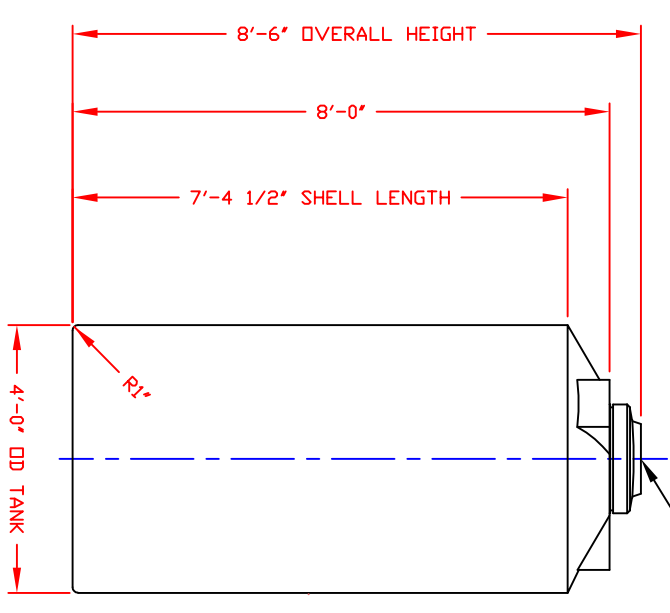


NON-CONTROLLED COPY  
 INFORMATION SUBJECT TO CHANGE WITHOUT NOTICE  
 VERIFY REV LEVEL OF PAPER COPY WITH REV LEVEL ON PFC WEB SITE

SERVICE	MK	STOCK	NOZ	SCHEDULE & ACCESSORIES	DEG	ELEV
				FITTING		



STANDARD COVER:  
 17"/BUTRESS THREAD  
 CAP/BLACK PE  
 STOCK NO. 4558



NOTE: **A**  
 MUST USE FLEXIBLE  
 CONNECTIONS ALL  
 LOWER SIDEWALL  
 FITTINGS

- NOTES**
1. THIS IS A COMPUTER GENERATED DWG. DO NOT REVISE BY HAND.
  2. DIMENSIONS WILL VARY ±3% DUE TO VARIATIONS IN MULTIPLE MOLDS & CONDITIONS PREVALENT DURING MANUFACTURE & USAGE.
  3. NO MOLDED IN GALLONAGE MARKERS THIS TANK.

CALCULATED CAPACITIES/ VOLUME IN U.S. GALLONS	DESIGN CAP DOME VOL/TOTAL VOL
684	35 719

CONFIDENTIAL PROPERTY OF  
 POLY PROCESSING COMPANY  
 NOT FOR REPRINT OR USE  
 WITHOUT PERMISSION

DWG TITLE  
**680 GALLON UPRIGHT TANK**

SCALE:	1/2"=1'-0"	DR:	B. HARPER
DATE:	10/17/19	CK:	

SHEET		COMPUTER FILE	REV
1	OF 1	VERT-00680	A