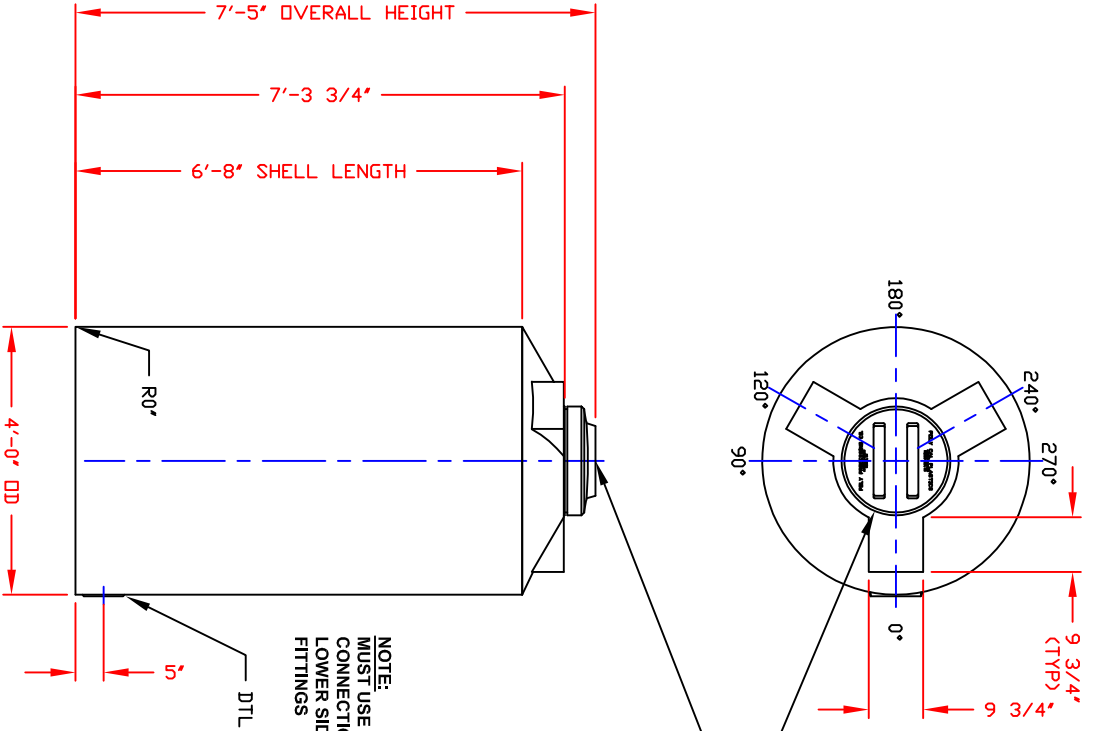
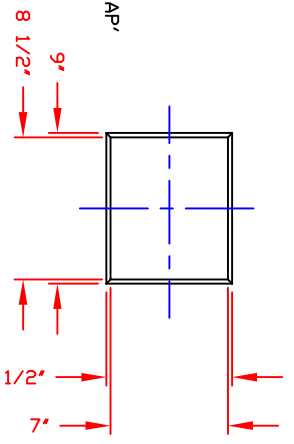


NON-CONTROLLED COPY
 INFORMATION SUBJECT TO CHANGE WITHOUT NOTICE
 VERIFY REV LEVEL OF PAPER COPY WITH REV LEVEL ON PPC WEB SITE



NOTE:
 MUST USE FLEXIBLE
 CONNECTIONS ALL
 LOWER SIDEWALL
 FITTINGS

STANDARD COVER:
 17\"/>



DETAIL 'A' @ 0\"/>

- NOTES:**
1. THIS IS A COMPUTER GENERATED DWG. DO NOT REVISE BY HAND.
 2. DIMENSIONS WILL VARY ±3% DUE TO VARIATIONS IN MULTIPLE MOLDS & CONDITIONS PREVALENT DURING MANUFACTURE & USAGE.
 3. MOLDED IN GALLONAGE MARKERS @ 0° IN 50 GAL INCREMENTS FROM 100 GAL TO 400 GAL. AVOID WHEN FITTING

CALCULATED CAPACITIES/ VOLUME IN U.S. GALLONS		
DESIGN CAP	DOME VOL	TOTAL VOL
615	25	640

CONFIDENTIAL PROPERTY OF
 POLY PROCESSING COMPANY
 NOT FOR REPRINT OR USE
 WITHOUT PERMISSION

DWG TITLE			NOZZLE SCHEDULE & ACCESSORIES		
615 GALLON UPRIGHT TANK			SERVICE	MK STOCK NO	SIZE
			FITTING		DEG ELEV
SCALE:	1/2"=1'-0"				
DATE:	08/12/2020				
<p>POLY PROCESSING SOLUTIONS, INC.</p>			Central Region P.O. Box 4580 Grand Rapids, MI 49508 (616) 536-7460 FAX: (616) 536-9798		
			DR:	B. HARPER	
			CK:		
SHEET	1 OF 1		COMPUTER FILE		
REV	1		VERT-00615		