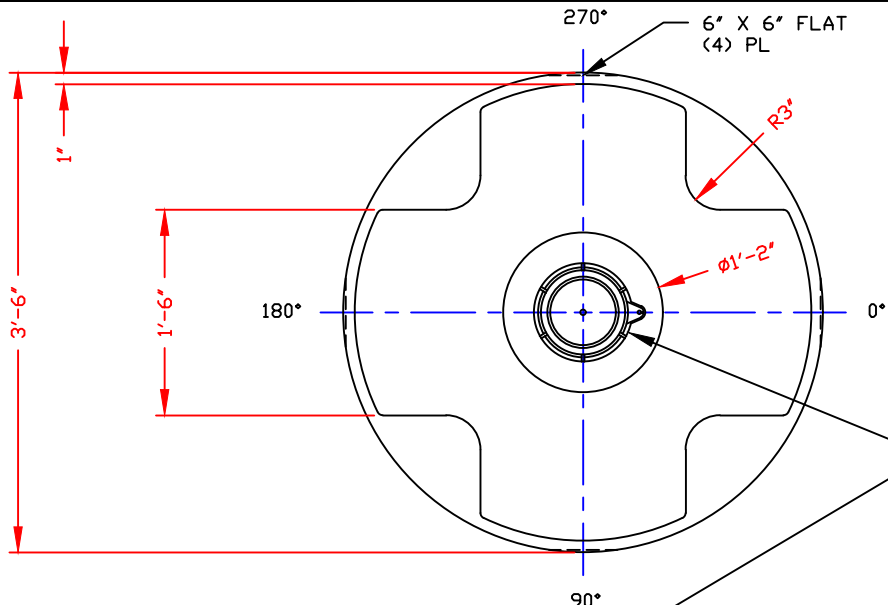
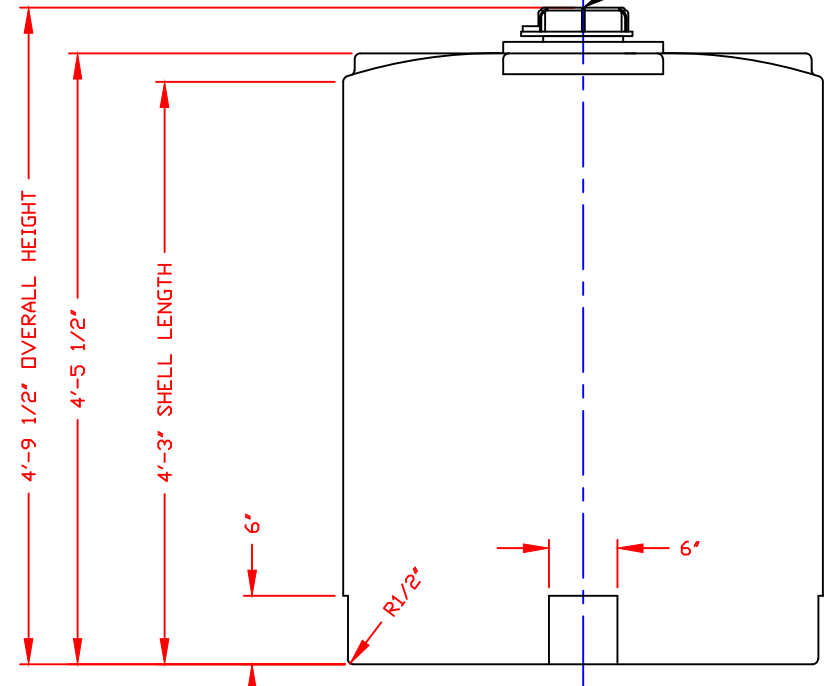


NON-CONTROLLED COPY
 INFORMATION SUBJECT TO CHANGE WITHOUT NOTICE
 VERIFY REV LEVEL OF PAPER COPY WITH REV LEVEL ON PPC WEB SITE



△
 STANDARD COVER:
 7"/TH'D CAP/BLANK/
 CHMPLS/BLACK PE
 PPC STOCK NO. 4565



NOTE:
 MUST USE FLEXIBLE
 CONNECTIONS ALL
 LOWER SIDEWALL
 FITTINGS

REV "A" REVISED COVER BY:JB 7/20/09 CK:WM

NOZZLE SCHEDULE & ACCESSORIES						
SERVICE	MK	STOCK NO.	SIZE	FITTING	DEG	ELEV

NOTES
 1. THIS IS A COMPUTER GENERATED DWG. DO NOT REVISE BY HAND.
 2. DIMENSIONS WILL VARY ±3% DUE TO VARIATIONS IN MULTIPLE MOLDS & CONDITIONS PREVALANT DURING MANUFACTURE & USAGE.
 3. NO MOLDED IN GALLONAGE MARKERS THIS TANK.

CALCULATED CAPACITIES/ VOLUME IN U.S. GALLONS		
DESIGN CAP	DOME VOL	TOTAL VOL
300	6	306

CONFIDENTIAL PROPERTY OF
 POLY PROCESSING COMPANY
 NOT FOR REPRINT OR USE
 WITHOUT PERMISSION

DWG TITLE: 300 GALLON UPRIGHT TANK

SCALE: 1"=1'-0"		Western Region P.O. Box 80 3025 South Ash Street French Camp, CA 95231 (209) 982-0994 FAX (209) 982-0495	DR: B. HARPER
DATE: 10/17/19		CK:	
SHEET 1 OF 1		COMPUTER FILE VERT-00300	REV A