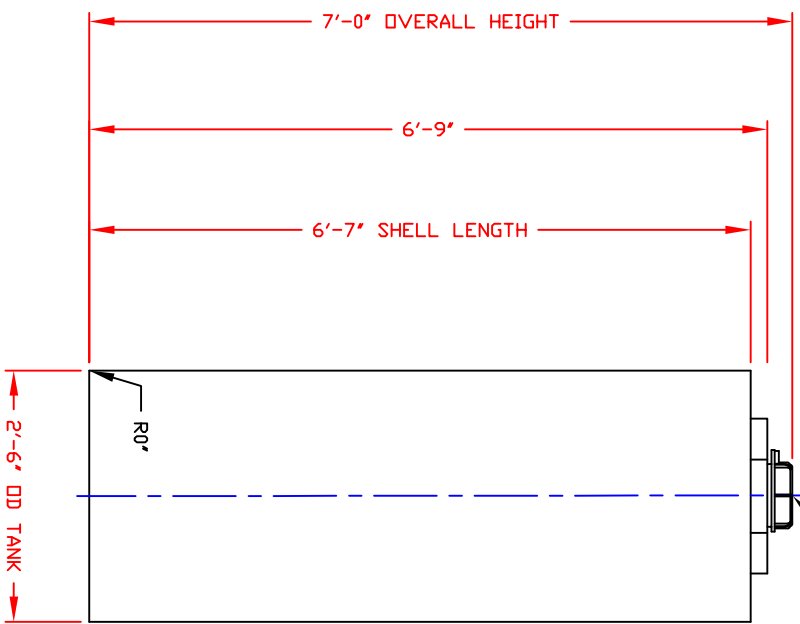
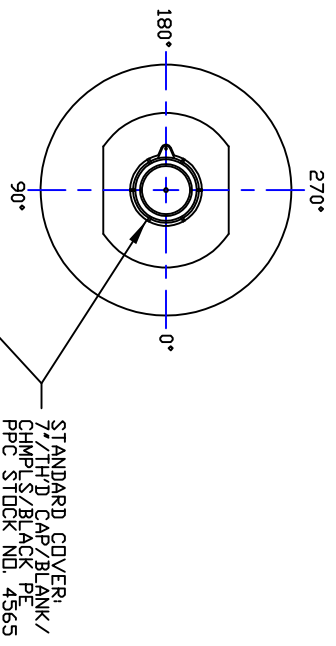


NON-CONTROLLED COPY
 INFORMATION SUBJECT TO CHANGE WITHOUT NOTICE
 VERIFY REV LEVEL OF PAPER COPY WITH REV LEVEL ON PPC WEB SITE

NOZZLE SCHEDULE & ACCESSORIES				
SERVICE	MK	STOCK	NOI SIZE	DEG ELEV
			FITTING	



NOTE:
 MUST USE FLEXIBLE
 CONNECTIONS ALL
 LOWER SIDEWALL
 FITTINGS

- NOTES
1. THIS IS A COMPUTER GENERATED DWG. DO NOT REVISE BY HAND.
 2. DIMENSIONS WILL VARY ±3% DUE TO VARIATIONS IN MULTIPLE MOLDS & CONDITIONS PREVALENT DURING MANUFACTURE & USAGE.
 3. NO MOLDED IN GALLONAGE MARKERS THIS TANK.

CALCULATED CAPACITIES/ VOLUME IN U.S. GALLONS	
DESIGN CAP	TOTAL VOL
232	232

CONFIDENTIAL PROPERTY OF
 POLY PROCESSING COMPANY
 NOT FOR REPRINT OR USE
 WITHOUT PERMISSION

DWG TITLE: **232 GALLON UPRIGHT TANK**

SCALE: 3/4" = 1'-0"

DATE: 10/17/19

Western Region
 Poly Processing Company
 1400 S. 200th St
 Kent, WA 98032
 TEL: 206-835-2800
 FAX: 206-835-2800

DR: **B. HARPER**

CHK:

SHEET: 1 OF 1

COMPUTER FILE: VERT-00232

REV: -