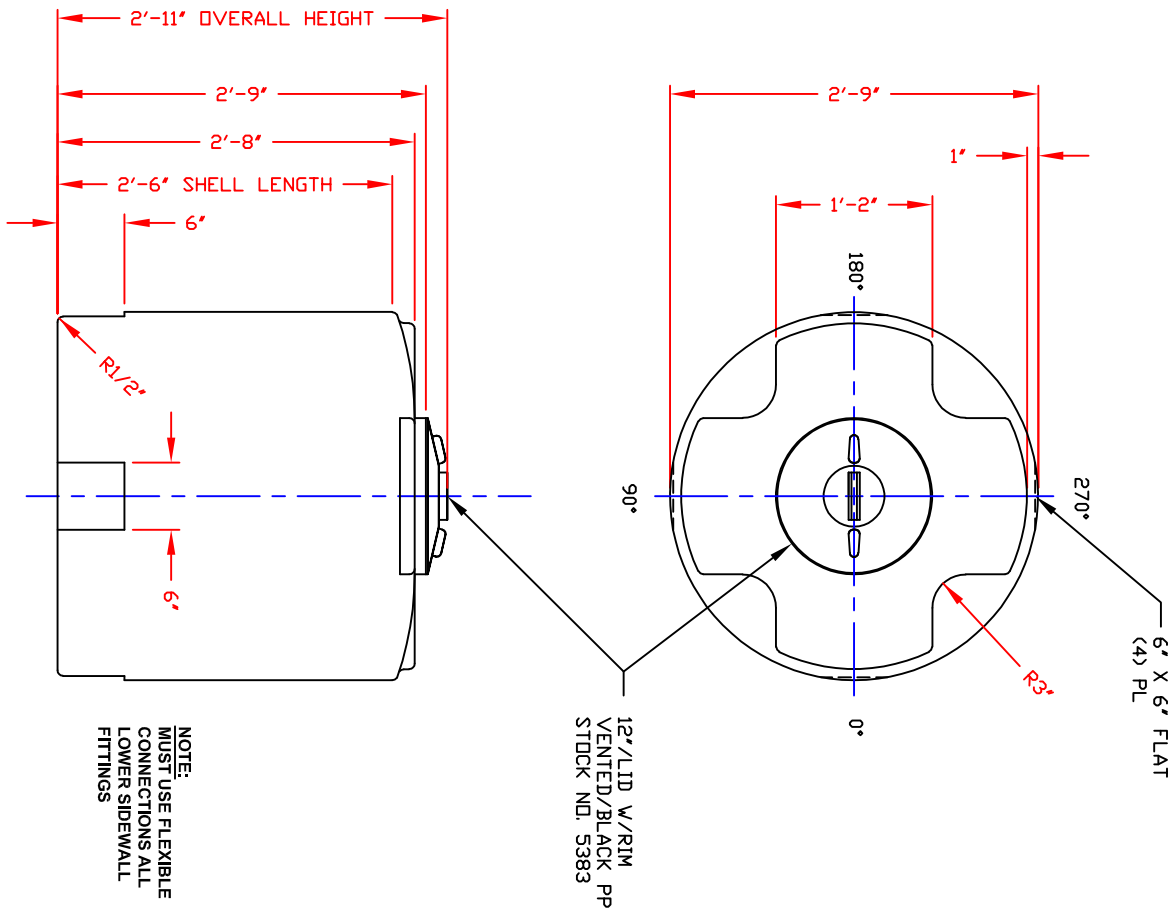


NON-CONTROLLED COPY
 INFORMATION SUBJECT TO CHANGE WITHOUT NOTICE
 VERIFY REV LEVEL OF PAPER COPY WITH REV LEVEL ON PPC WEB SITE



NOTE:
 MUST USE FLEXIBLE CONNECTIONS ALL LOWER SIDEWALL FITTINGS

- NOTES**
1. THIS IS A COMPUTER GENERATED DWG. DO NOT REVISE BY HAND.
 2. DIMENSIONS WILL VARY ±3% DUE TO VARIATIONS IN MULTIPLE MOLDS & CONDITIONS PREVALENT DURING MANUFACTURE & USAGE.
 3. NO MOLDED IN GALLONAGE MARKERS THIS TANK.

CALCULATED CAPACITIES/ VOLUME IN U.S. GALLONS	DESIGN CAP	DOME VOL	TOTAL VOL
109	4		113

CONFIDENTIAL PROPERTY OF
 POLY PROCESSING COMPANY
 NOT FOR REPRINT OR USE
 WITHOUT PERMISSION

NOZZLE SCHEDULE & ACCESSORIES			DEG ELEV
SERVICE	MK	STOCK NO	SIZE

DWG TITLE: **110 GALLON UPRIGHT TANK**

SCALE: 1"=1'-0"

DATE: 10/8/19

CALCULATED CAPACITIES/VOLUME IN U.S. GALLONS

DESIGN CAP: 4 DOME VOL: 113 TOTAL VOL: 113

DR: B. HARPER

CK:

1 OF 1 SHEET COMPUTER FILE VERT-00110