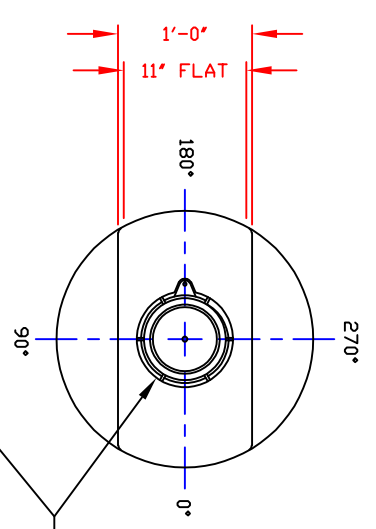
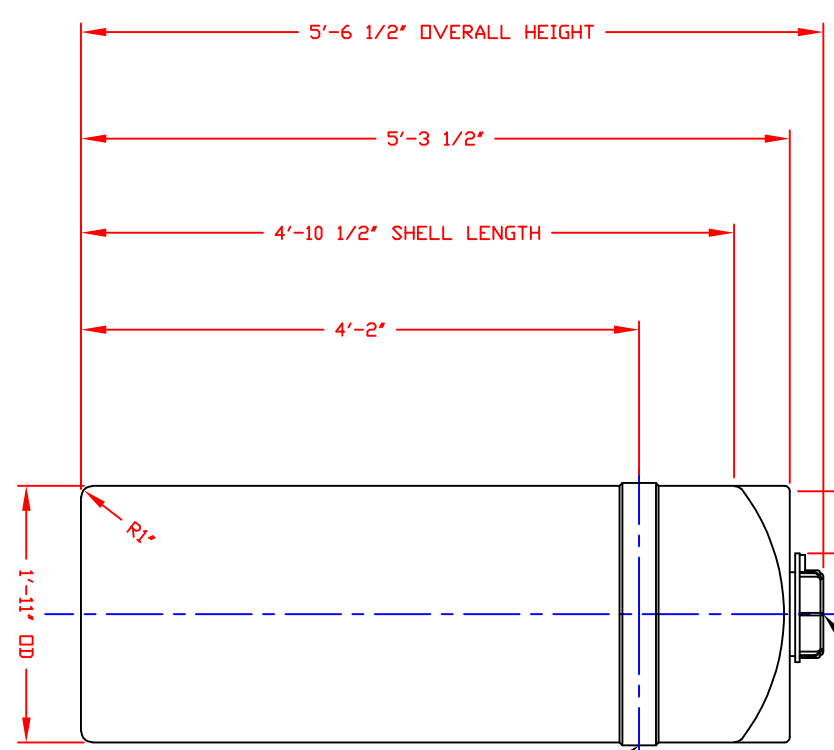


NON-CONTROLLED COPY
 INFORMATION SUBJECT TO CHANGE WITHOUT NOTICE
 VERIFY REV LEVEL OF PAPER COPY WITH REV LEVEL ON PPC WEB SITE



STANDARD COVER:
 7"/TH/D CAP/BLANK/
 CEMPLS/BLACK PE
 PPC STOCK NO. 4565
 OPTIONAL GASKET:
 7"/TH/D CAP GSKT/CMPPLAS/EPDM
 PPC STOCK NO. 5342
 7"/TH/D CAP GSKT/CMPPLAS/BLACK VITON
 PPC STOCK NO. 5343
 OPTIONAL COVER:
 8"/LID W/RIM VENTED/BLACK PP
 PPC STOCK NO. 4802

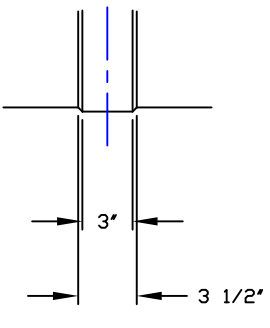


DTL 'A' (EASTERN REGION ONLY)

NOTE:
 MUST USE FLEXIBLE
 CONNECTIONS ALL
 LOWER SIDEWALL
 FITTINGS



NOZZLE SCHEDULE & ACCESSORIES		DEG ELEV
SERVICE	NOZ STOCK NO/ SIZE	FITTING



DETAIL 'A'
 STIFFENER BAND
 SCALE: 1 1/2"=1'-0"

- NOTES
1. THIS IS A COMPUTER GENERATED DWG. DO NOT REVISE BY HAND.
 2. DIMENSIONS WILL VARY ±3% DUE TO VARIATIONS IN MULTIPLE MOLDS & CONDITIONS PREVALENT DURING MANUFACTURE & USAGE.
 3. NO GALLONAGE MARKERS THIS TANK.

CALCULATED CAPACITIES/ VOL/UME. IN U.S. GALLONS	DESIGN CAP	DOME VOL	TOTAL VOL
103	3	106	

CONFIDENTIAL PROPERTY OF
 POLY PROCESSING COMPANY
 NOT FOR REPRINT OR USE
 WITHOUT PERMISSION

DWG TITLE: **100 GALLON UPRIGHT TANK**

SCALE: 1"=1'-0"

DATE: 10/8/19

POLY PROCESSING SOLUTIONS, SIMPHER, PA

DR: B. HARPER

SHEET 1 OF 1

COMPUTER FILE

VERT-00100

REV A