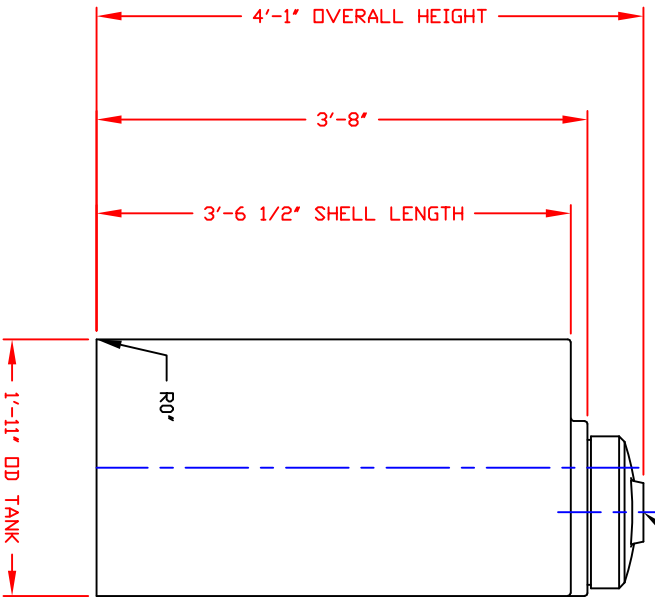


NON-CONTROLLED COPY
 INFORMATION SUBJECT TO CHANGE WITHOUT NOTICE
 VERIFY REV LEVEL OF PAPER COPY WITH REV LEVEL ON PDC WEB SITE

NOZZLE SCHEDULE & ACCESSORIES			
SERVICE	MK STOCK NO./SIZE	FITTING	DEG ELEV




STANDARD COVER:
 12"/BUTTRESS THREAD
 CAP/BLACK PE
 STOCK NO. 5167

NOTE:
 MUST USE FLEXIBLE CONNECTIONS ALL LOWER SIDEWALL FITTINGS

- NOTES**
1. THIS IS A COMPUTER GENERATED DWG. DO NOT REVISE BY HAND
 2. DIMENSIONS WILL VARY ±3% DUE TO VARIATIONS IN MULTIPLE MOLDS & CONDITIONS PREVAILING DURING MANUFACTURE & USAGE.
 3. NO MOLDED IN GALLONAGE MARKERS THIS TANK.

CALCULATED CAPACITIES/ VOLUME IN U.S. GALLONS	DESIGN CAP TOTAL VOL
74	77

CONFIDENTIAL PROPERTY OF
 POLY PROCESSING COMPANY
 NOT FOR REPRINT OR USE
 WITHOUT PERMISSION

DWG TITLE		
70 GALLON UPRIGHT TANK		
SCALE:	1"=1'-0"	
DATE:	10/8/19	
		
	DR: B. HARPER	
	CK:	
SHEET	1 OF 1	VERT-00070
COMPUTER FILE		
REV	-	