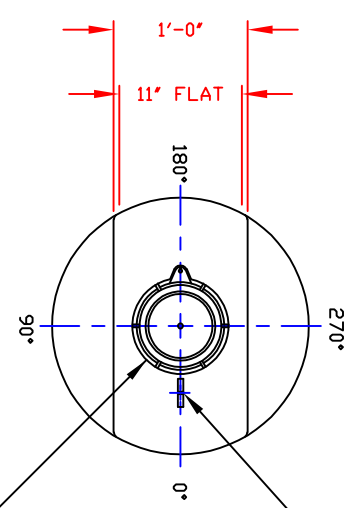
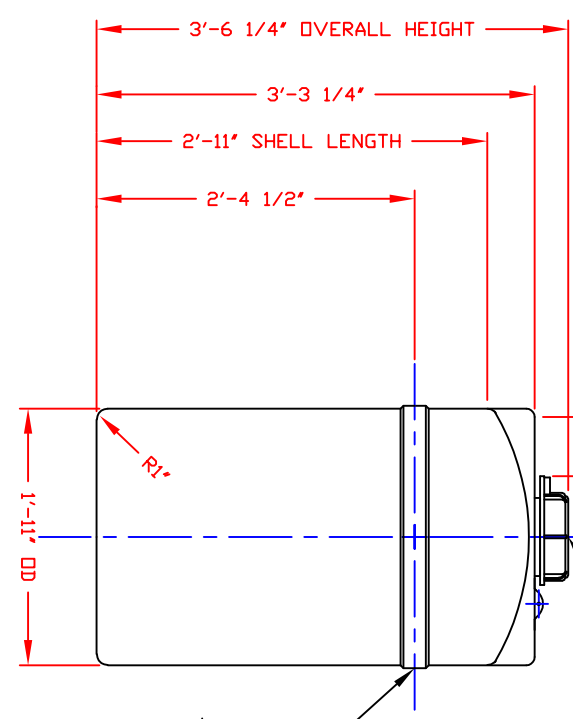
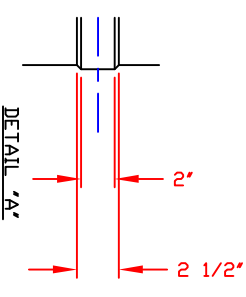


NON-CONTROLLED COPY
 INFORMATION SUBJECT TO CHANGE WITHOUT NOTICE
 VERIFY REV LEVEL OF PAPER COPY WITH REV LEVEL ON PPC WEB SITE

NOZZLE SCHEDULE & ACCESSORIES			
SERVICE	MK STOCK NO./SIZE	FITTING	DEG ELEV



- STANDARD COVER:
 7"/TH'D CAP/BLANK/
 CHMPLS/BLACK PE
 PPC STOCK NO. 4565
 OPTIONAL GASKETS:
 7"/TH'D CAP GSKT/CMPPLAS/EPDM
 PPC STOCK NO. 5342
 7"/TH'D CAP GSKT/CMPPLAS/BLACK VITON
 PPC STOCK NO. 5343
 OPTIONAL COVER:
 8"/LID W/RIM VENTED/BLACK PP
 PPC STOCK NO. 4802



NOTE:
 MUST USE FLEXIBLE
 CONNECTIONS ALL
 LOWER SIDEWALL
 FITTINGS

DTL 'A' (EASTERN REGION ONLY)

- NOTES:
 1. THIS IS A COMPUTER GENERATED DWG. DO NOT REVISE BY HAND.
 2. DIMENSIONS WILL VARY ±3% DUE TO VARIATIONS IN MULTIPLE
 MOLDS & CONDITIONS PREVALENT DURING MANUFACTURE & USAGE.
 3. MOLDED IN GALLONAGE MARKERS - CENTRAL REGION ONLY
 @ 0° IN 10 GAL INCREMENTS UP TO 50 GAL

CALCULATED CAPACITIES/ VOLUME IN U.S. GALLONS	DESIGN CAP DOME VOL	TOTAL VOL
64	3	67

CONFIDENTIAL PROPERTY OF
 POLY PROCESSING COMPANY
 NOT FOR REPRINT OR USE
 WITHOUT PERMISSION

DWG TITLE: 60 GALLON UPRIGHT TANK

SCALE: 1"=1'-0"

DATE: 10/8/19

DR: B. HARPER

CK:

SHEET 1 OF 1

COMPUTER FILE VERT-00060

REV A