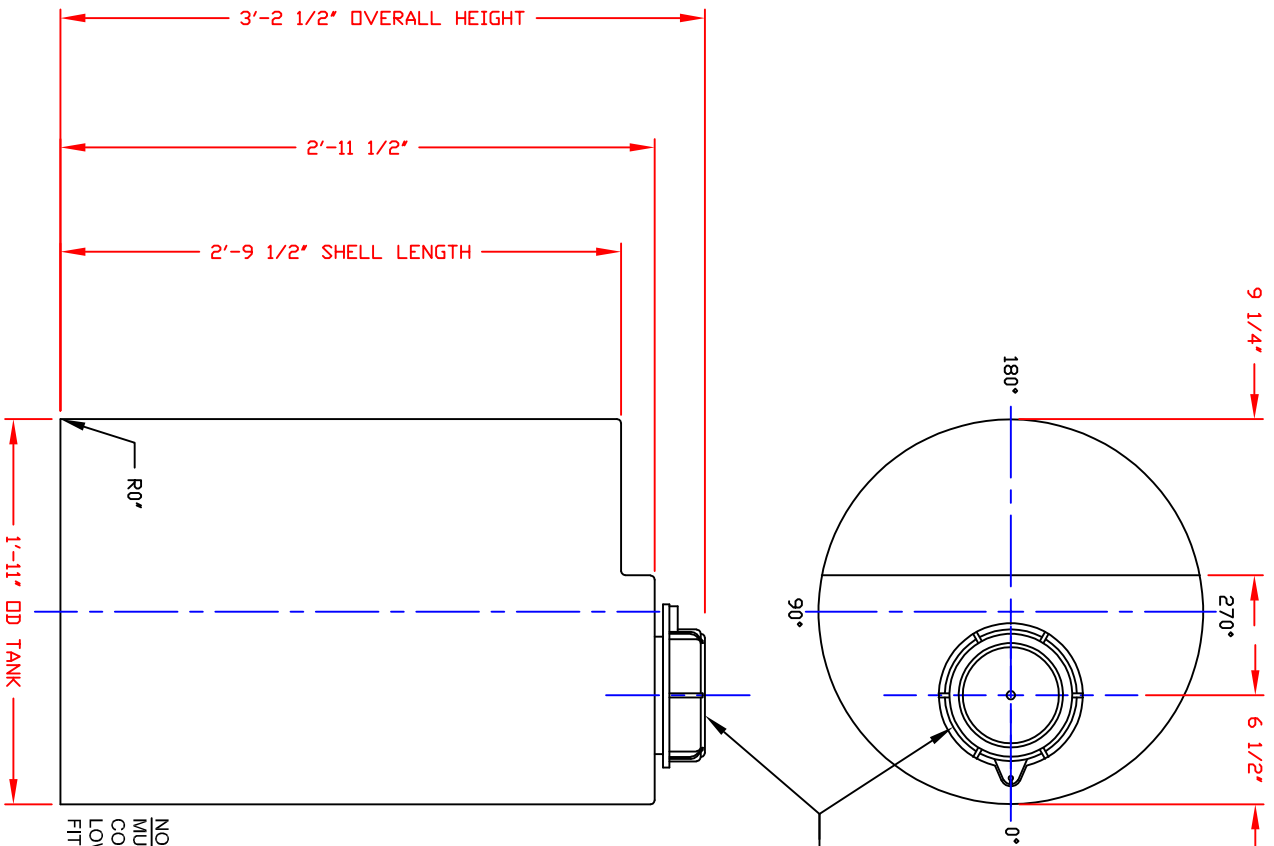


NON-CONTROLLED COPY
 INFORMATION SUBJECT TO CHANGE WITHOUT NOTICE
 VERIFY REV LEVEL OF PAPER COPY WITH REV LEVEL ON PPC WEB SITE



NOTE: **A** MUST USE FLEXIBLE CONNECTIONS ALL LOWER SIDEWALL FITTINGS

B STANDARD COVER:
 7\"/>

NOZZLE SCHEDULE & ACCESSORIES		
SERVICE	MK STOCK NO/ SIZE	DEG ELEV
		FITTING

- NOTES:
1. THIS IS A COMPUTER GENERATED DVG. DO NOT REVISE BY HAND.
 2. DIMENSIONS WILL VARY ±3% DUE TO VARIATIONS IN MULTIPLE MOLDS & CONDITIONS PREVALENT DURING MANUFACTURE & USAGE.
 3. NO MOLDED IN GALLONAGE MARKERS THIS TANK.

DWG TITLE		55 GALLON UPRIGHT TANK	
SCALE:	1 1/2"=1'-0"		Western Region 4800 South 4th Street Grand Rapids, MI 49508 FAX: (616) 961-4343
DATE:	10/17/19		
CALCULATED CAPACITIES/ VOLUME IN U.S. GALLONS DESIGN CAP TOTAL VOL 59 62		CONFIDENTIAL PROPERTY OF POLY PROCESSING COMPANY NOT FOR REPRINT OR USE WITHOUT PERMISSION	
SHEET 1 OF 1		COMPUTER FILE	REV C

REV 'B' REVISED COVER BY:JUB 7/23/03 CK:MBV
 REV 'A' ADDED FITTING NOTE BY:JUB 3/19/03 CK:MBV
 REV 'C' REVISED TANK DOME AND COVER LOCATION
 DIMENSION BY:BT 4/17/12 CK:JUB