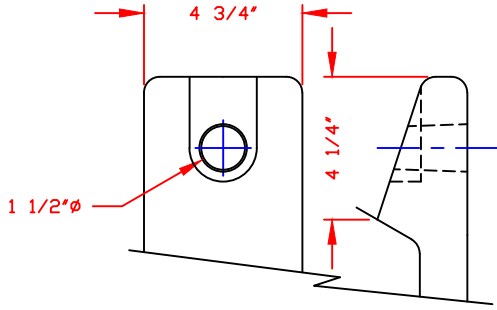
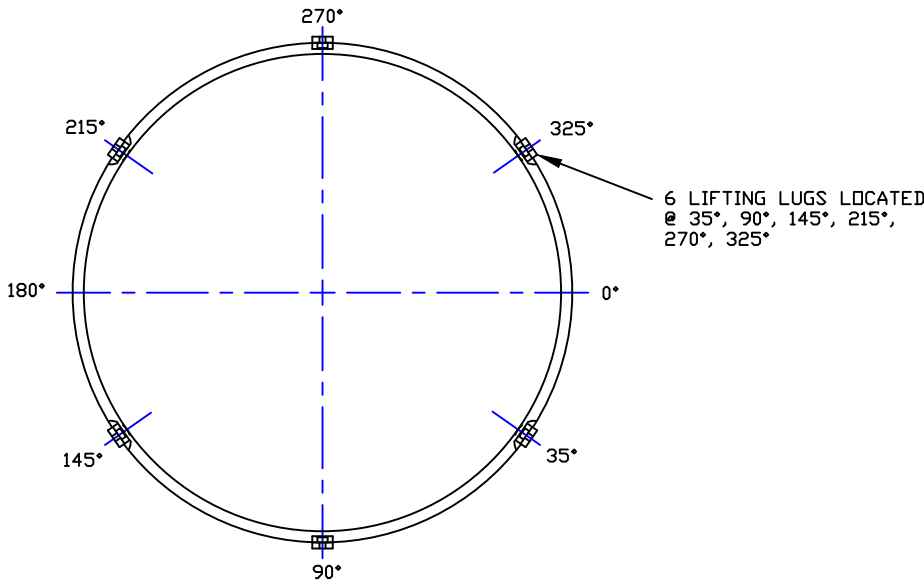


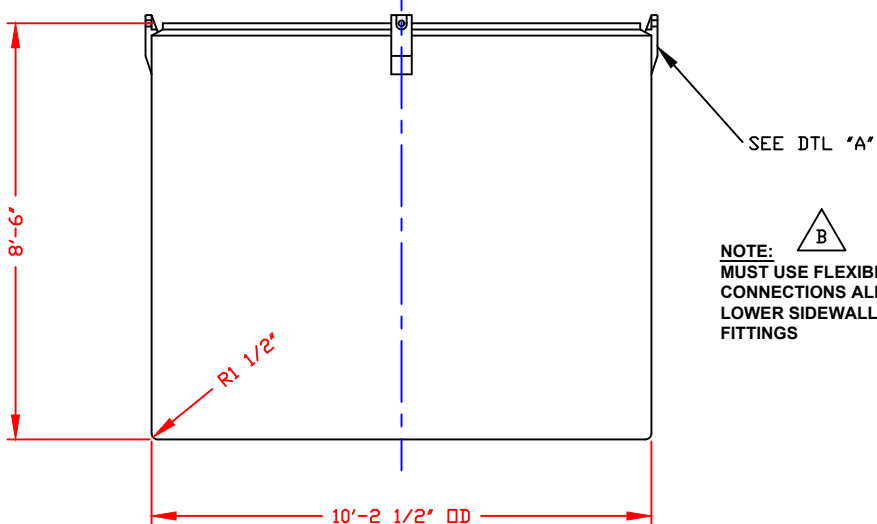
NON-CONTROLLED COPY  
 INFORMATION SUBJECT TO CHANGE WITHOUT NOTICE  
 COPY WILL NOT BE UPDATED

COPY ISSUED BY \_\_\_\_\_  
 COPY ISSUED ON \_\_\_\_\_

NOZZLE SCHEDULE & ACCESSORIES						
SERVICE	MK	STOCK NO.	SIZE	FITTING	DEG	ELEV



LUG DETAIL "A"  
 SCALE: 1 1/2" = 1'-0"



**NOTE:**  MUST USE FLEXIBLE CONNECTIONS ALL LOWER SIDEWALL FITTINGS

- NOTES:  
 1. THIS IS A COMPUTER GENERATED DWG. DO NOT REVISE BY HAND.  
 2. DIMENSIONS WILL VARY ±3% DUE TO VARIATIONS IN MULTIPLE MOLDS & CONDITIONS PREVALENT DURING MANUFACTURE & USAGE.  
 3. NO MOLDED IN GALLONAGE MARKERS THIS TANK.  
 4. FOR INNER TANK DTLS SEE COMPUTER FILE NO. 2004400, TITLE "4400 GALLON INNER SAFE-TANK." FOR ASSEMBLY DTLS SEE COMPUTER FILE NO. 2004400A, TITLE, "4400 GALLON SAFE-TANK ASSEMBLY."

CALCULATED CAPACITY
VOLUME IN U.S. GALLONS
DESIGN CAPACITY
4994

CONFIDENTIAL PROPERTY OF  
 POLY PROCESSING COMPANY  
 NOT FOR REPRINT OR USE  
 WITHOUT PERMISSION

DWG TITLE: 4350 & 4400 GALLON OUTER SAFE-TANK/  
 4950 GALLON OPEN TOP TANK

SCALE: 3/8"=1'-0"

DATE: 09/13/19

**POLYPROCESSING** SOLUTIONS, SIMPLIFIED.

Central Region  
 P.O. Box 4100 71821  
 8901 Old Sterlington Rd.  
 Monroe, LA 71203  
 CSD 343-7263  
 FAX CSD 343-8795

DR: B. HARPER  
 CK:

SHEET: 1 OF 1  
 COMPUTER FILE: SAFE-0-04400  
 REV: B

REV "B" ADDED FITTING NOTE BY:MBW 4/16/03 CK:JB  
 REV "A" REDRAWN SHOWING MOLD MODIFICATIONS BY:MBW 5/15/02 CK:JB