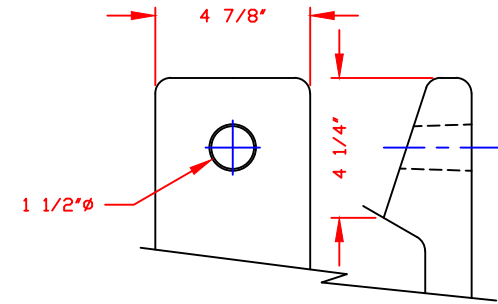
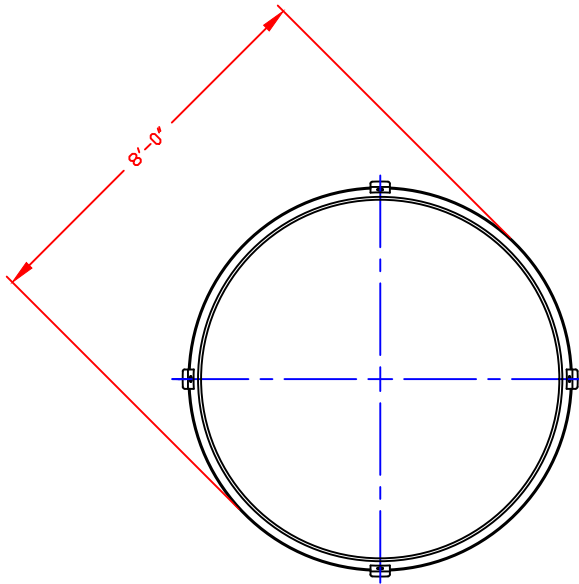
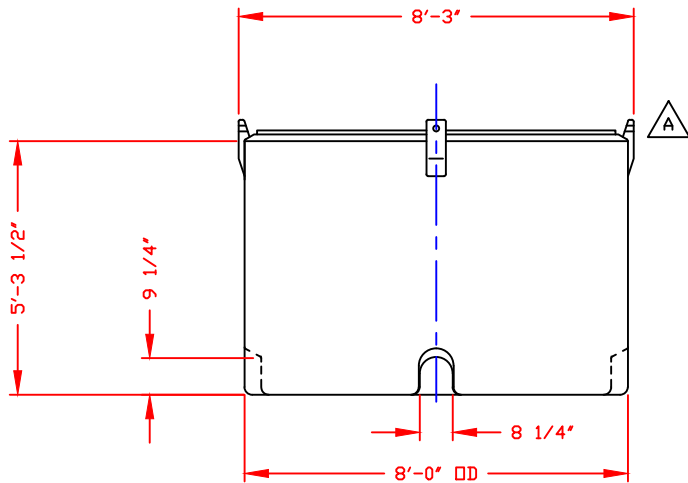


NON-CONTROLLED COPY  
 INFORMATION SUBJECT TO CHANGE WITHOUT NOTICE  
 VERIFY REV LEVEL OF PAPER COPY WITH REV LEVEL ON PPC WEB SITE



LUG DETAIL  
 SCALE: 1 1/2" = 1'-0"




**NOTE:**  
 MUST USE FLEXIBLE  
 CONNECTIONS ALL  
 LOWER SIDEWALL  
 FITTINGS

- NOTES:  
 1. THIS IS A COMPUTER GENERATED DWG. DO NOT REVISE BY HAND.  
 2. DIMENSIONS WILL VARY ±3% DUE TO VARIATIONS IN MULTIPLE MOLDS & CONDITIONS PREVALENT DURING MANUFACTURE & USAGE.  
 3. FOR INNER TANK DTLS SEE COMPUTER FILE NO. 2001550, TITLE "1550 GALLON INNER SAFE-TANK," FOR ASSEMBLY DTLS SEE COMPUTER FILE NO. 2001550A, TITLE "1550 GALLON SAFE-TANK ASSEMBLY."

CALCULATED CAPACITY  
 VOLUME IN U.S. GALLONS  
 DESIGN CAPACITY  
 1954

CONFIDENTIAL PROPERTY OF  
 POLY PROCESSING COMPANY  
 NOT FOR REPRINT OR USE  
 WITHOUT PERMISSION

DWG TITLE 1550 GALLON OUTER SAFE-TANK/ 1950 OPEN TOP TANK			
SCALE: 3/8"=1'-0"	 POLYPROCESSING SOLUTIONS, SIMPLIFIED.	Central Region P.O. Box 4150 8201 Old Sterlington Rd. Monroe, LA 71203 CUB 343-7665 FAX 337-343-8790	DR: B. HARPER CK:
DATE: 09/13/19	SHEET 1 OF 1	COMPUTER FILE SAFE-0-01550	REV B

REV "B" ADDED FITTING NOTE BY:MBW 4/16/03 CK:JB  
 REV "A" MODIFICATION TO MOLD BY:MBW 3/21/02 CK:BT