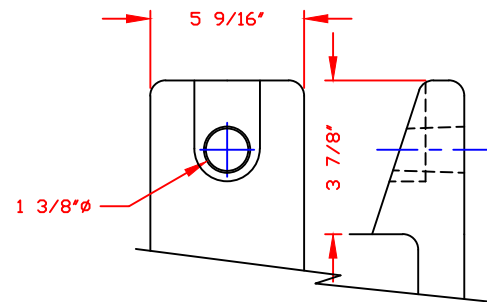
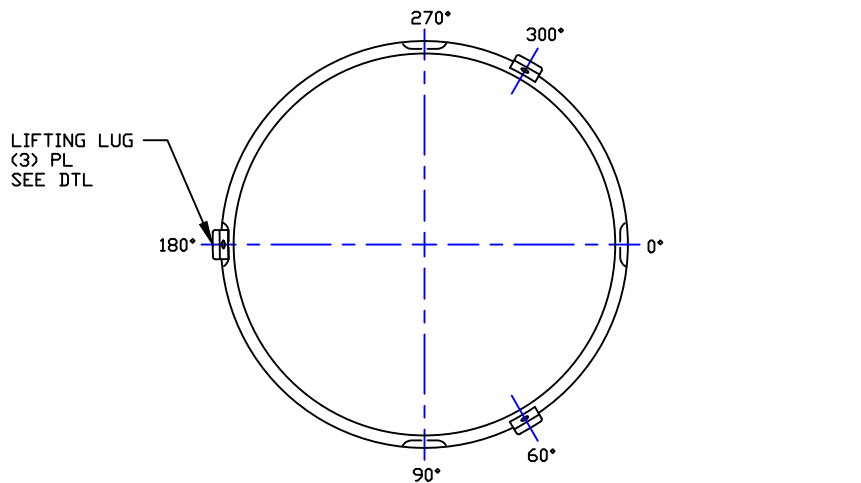
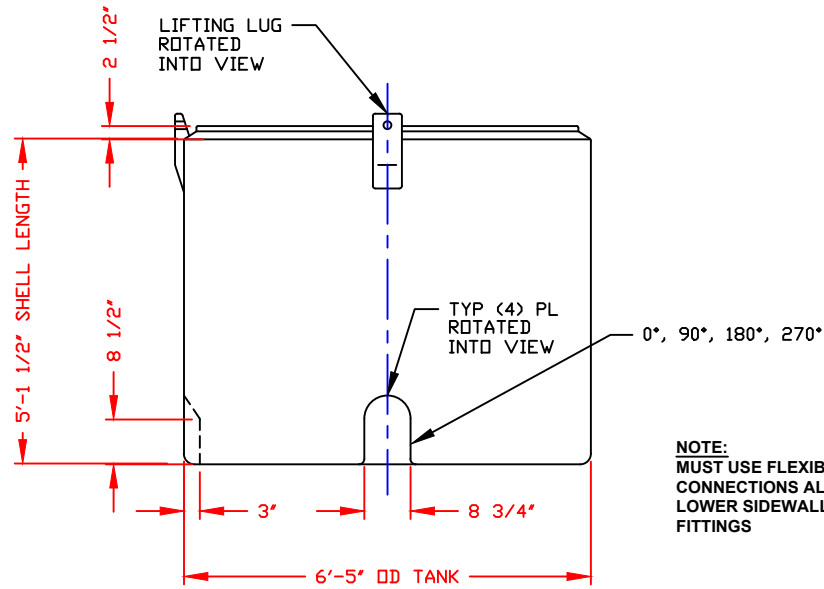


NON-CONTROLLED COPY INFORMATION SUBJECT TO CHANGE WITHOUT NOTICE COPY WILL <u>NOT</u> BE UPDATED	COPY ISSUED BY _____ COPY ISSUED ON _____
--------------------------------------------------------------------------------------------------------	----------------------------------------------



LUG DETAIL
SCALE: NONE

- NOTES:
1. THIS IS A COMPUTER GENERATED DWG. DO NOT REVISE BY HAND.
 2. DIMENSIONS WILL VARY ±3% DUE TO VARIATIONS IN MULTIPLE MOLDS & CONDITIONS PREVALENT DURING MANUFACTURE & USAGE.
 3. FOR INNER TANK DTLS SEE COMPUTER FILE NO. 12001015, TITLE '1015 GALLON INNER SAFE-TANK.' FOR ASSEMBLY SEE COMPUTER FILE NO. 12001015A, TITLE '1015 GALLON SAFE-TANK ASSEMBLY.'



NOTE:
MUST USE FLEXIBLE CONNECTIONS ALL LOWER SIDEWALL FITTINGS

CONFIDENTIAL PROPERTY OF
POLY PROCESSING COMPANY
NOT FOR REPRINT OR USE
WITHOUT PERMISSION

CALCULATED CAPACITY VOLUME IN U.S. GALLONS	1215
DESIGN CAPACITY	1215

DWG TITLE		1000 & 1015 GALLON OUTER SAFE-TANK/ 1200 GALLON OPEN TOP TANK	
SCALE:	1/2"=1'-0"	 Western Region P.O. Box 88 8925 South Ash Street French, Ga., GA 30524 404-982-4504 FAX 404-982-3435	DR: B. HARPER
DATE:	09/13/19		CK:
SHEET	1 OF 1	COMPUTER FILE	REV
		SAFE-0-01015	-