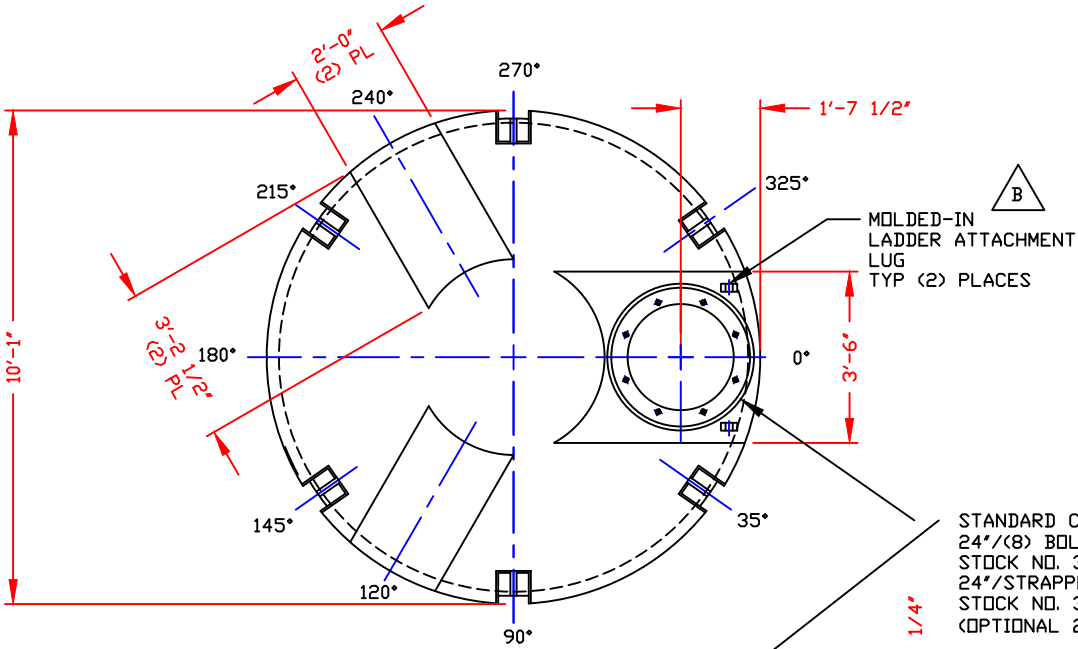


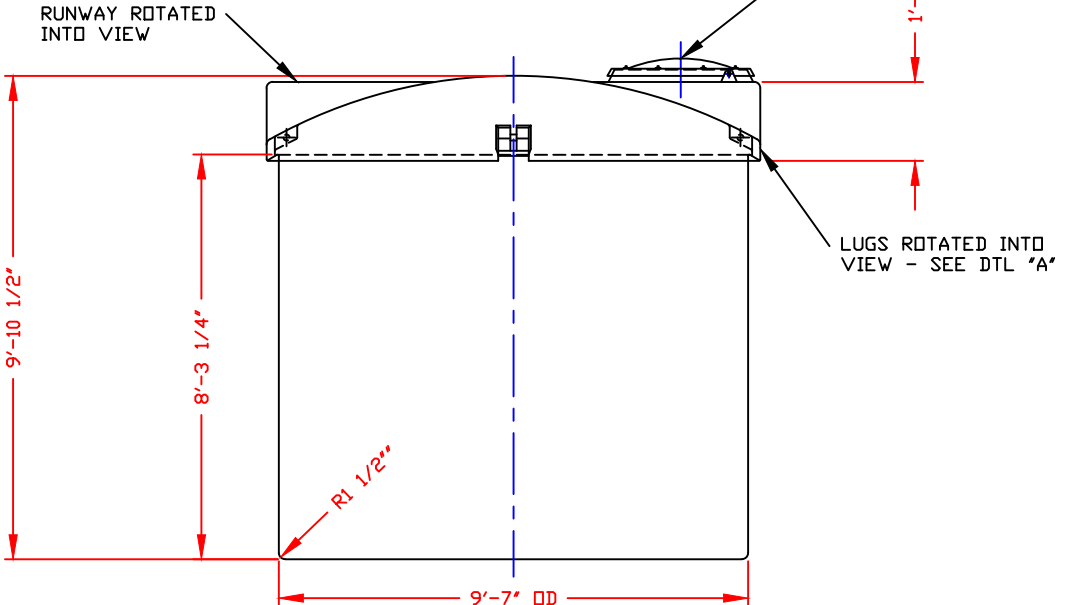
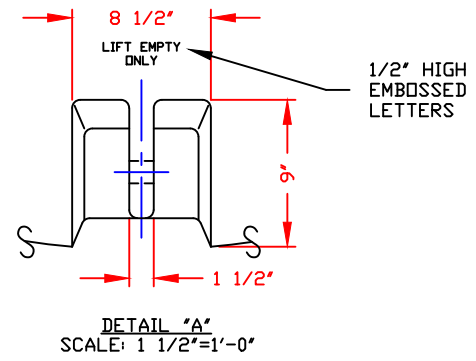
NON-CONTROLLED COPY
 INFORMATION SUBJECT TO CHANGE WITHOUT NOTICE
 VERIFY REV LEVEL OF PAPER COPY WITH REV LEVEL ON PPC WEB SITE

REV "A" REDRAWN SHOWING MOLD MODIFICATIONS BY MBW 5/15/02 CK-JB
 REV "B" ADDED LADDER ATTACHMENT LUGS BY JJB 8/30/04 CK-WM

| NOZZLE SCHEDULE & ACCESSORIES | | | | | | |
|-------------------------------|----|-----------|------|---------|-----|------|
| SERVICE | MK | STOCK NO. | SIZE | FITTING | DEG | ELEV |
| | | | | | | |
| | | | | | | |
| | | | | | | |
| | | | | | | |
| | | | | | | |
| | | | | | | |
| | | | | | | |
| | | | | | | |
| | | | | | | |
| | | | | | | |
| | | | | | | |
| | | | | | | |
| | | | | | | |
| | | | | | | |
| | | | | | | |
| | | | | | | |
| | | | | | | |
| | | | | | | |
| | | | | | | |
| | | | | | | |




STANDARD COVER:
 24"/(8) BOLT MANWAY COVER/PE (SHOWN)
 STOCK NO. 3218 OR
 24"/STRAPPED MANWAY COVER/PE
 STOCK NO. 3217
 (OPTIONAL 24" COVERS AVAILABLE)



- NOTES:
1. THIS IS A COMPUTER GENERATED DWG. DO NOT REVISE BY HAND.
 2. DIMENSIONS WILL VARY ±3% DUE TO VARIATIONS IN MULTIPLE MOLDS & CONDITIONS PREVALENT DURING MANUFACTURE & USAGE.
 3. NO MOLDED IN GALLONAGE MARKERS THIS TANK.
 4. FOR OUTER TANK DTLS SEE COMPUTER FILE NO. 2104950, TITLE "4400 GALLON OUTER SAFE-TANK/4950 GALLON OPEN TOP TANK." FOR ASSEMBLY DTLS SEE COMPUTER FILE NO. 2004400A, TITLE "4400 GALLON SAFE-TANK ASSEMBLY."

| CALCULATED CAPACITIES/ VOLUME IN U.S. GALLONS | | |
|--------------------------------------------------|-----------|-----------|
| DESIGN CAP | DOMED VOL | TOTAL VOL |
| 4385 | 437 | 4822 |

CONFIDENTIAL PROPERTY OF
 POLY PROCESSING COMPANY
 NOT FOR REPRINT OR USE
 WITHOUT PERMISSION

| | | | |
|-----------------------------|------------|-----------------------------------------------------------------------------------------------------------------------------------|-----------|
| DWG TITLE | | | |
| 4400 GALLON INNER SAFE-TANK | | | |
| SCALE: | 3/8"=1'-0" |  POLYPROCESSING SOLUTIONS, SIMPLIFIED. | DR: |
| DATE: | 09/113/19 | | B. HARPER |
| SHEET | | COMPUTER FILE | REV |
| 1 OF 1 | | SAFE-I-04400 | B |