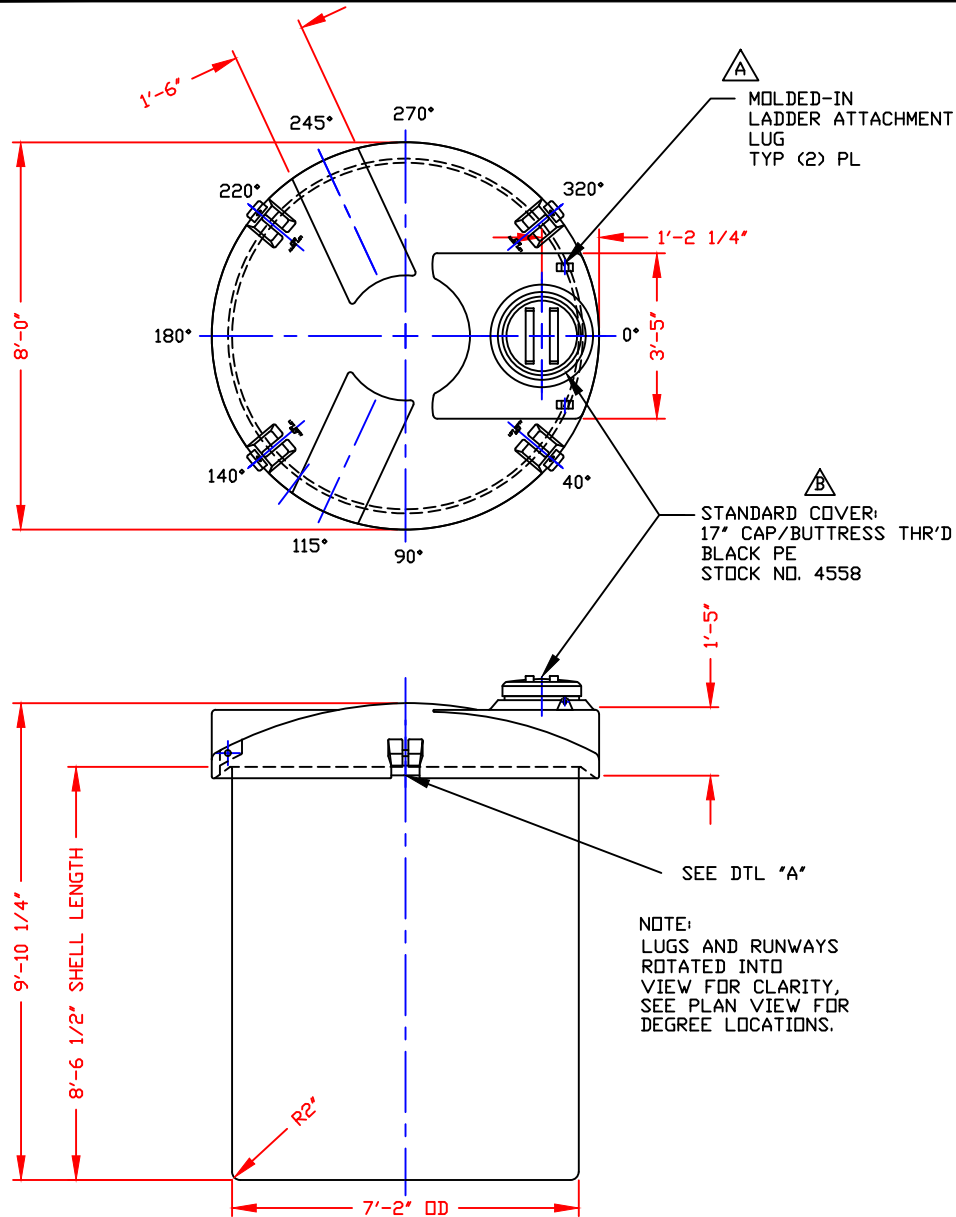
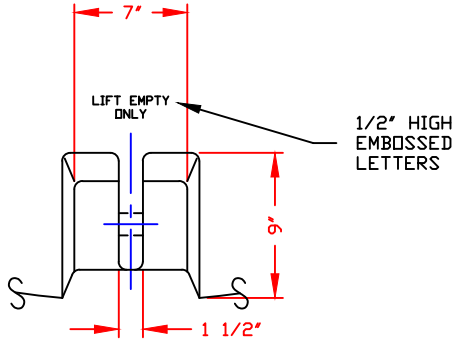


NON-CONTROLLED COPY
 INFORMATION SUBJECT TO CHANGE WITHOUT NOTICE
 VERIFY REV LEVEL OF PAPER COPY WITH REV LEVEL ON PPC WEB SITE




NOZZLE SCHEDULE & ACCESSORIES					
SERVICE	MK	STOCK NO.	SIZE	FITTING	DEG ELEV



- NOTES:**
1. THIS IS A COMPUTER GENERATED DWG. DO NOT REVISE BY HAND.
 2. DIMENSIONS WILL VARY ±3% DUE TO VARIATIONS IN MULTIPLE MOLDS & CONDITIONS PREVALENT DURING MANUFACTURE & USAGE.
 3. FOR OUTER TANK DTLS SEE COMPUTER FILE NO. 12103100, TITLE "2500 GALLON OUTER SAFE-TANK/3100 GALLON OPEN TOP TANK." FOR ASSEMBLY DTLS SEE COMPUTER FILE NO. 12002500A, TITLE "2500 GALLON SAFE-TANK ASSEMBLY."

CALCULATED CAPACITIES/ VOLUME IN U.S. GALLONS		
DESIGN CAP	DOME VOL	TOTAL VOL
2517	246	2763

CONFIDENTIAL PROPERTY OF
 POLY PROCESSING COMPANY
 NOT FOR REPRINT OR USE
 WITHOUT PERMISSION

DWG TITLE			
2500 GALLON INNER SAFE-TANK			
SCALE:	3/8"=1'-0"	 Central Region P.O. Box 4150 (71810) 2550 Dow Streetington Rd. Norcross, LA 71203 CSFD 343-7963 FAX: CSFD 343-6795	DR:
DATE:	09/13/19		CK:
SHEET			REV
1 OF 1			SAFE-I-02550 C

- REV "C" REVISED DOME BY:JB 8/7/15 CK:WM
- REV "B" REVISED COVER BY:JB 7/27/09 CK:WM
- REV "A" ADDED LADDER ATTACHMENT LUGS BY:JB 8/13/04 CK:WM