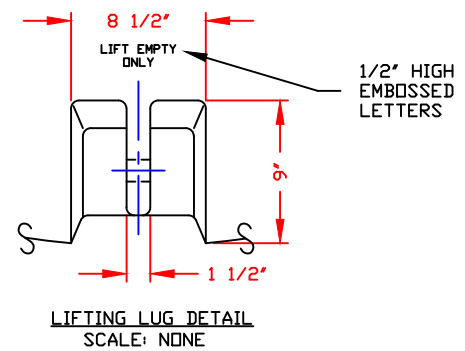
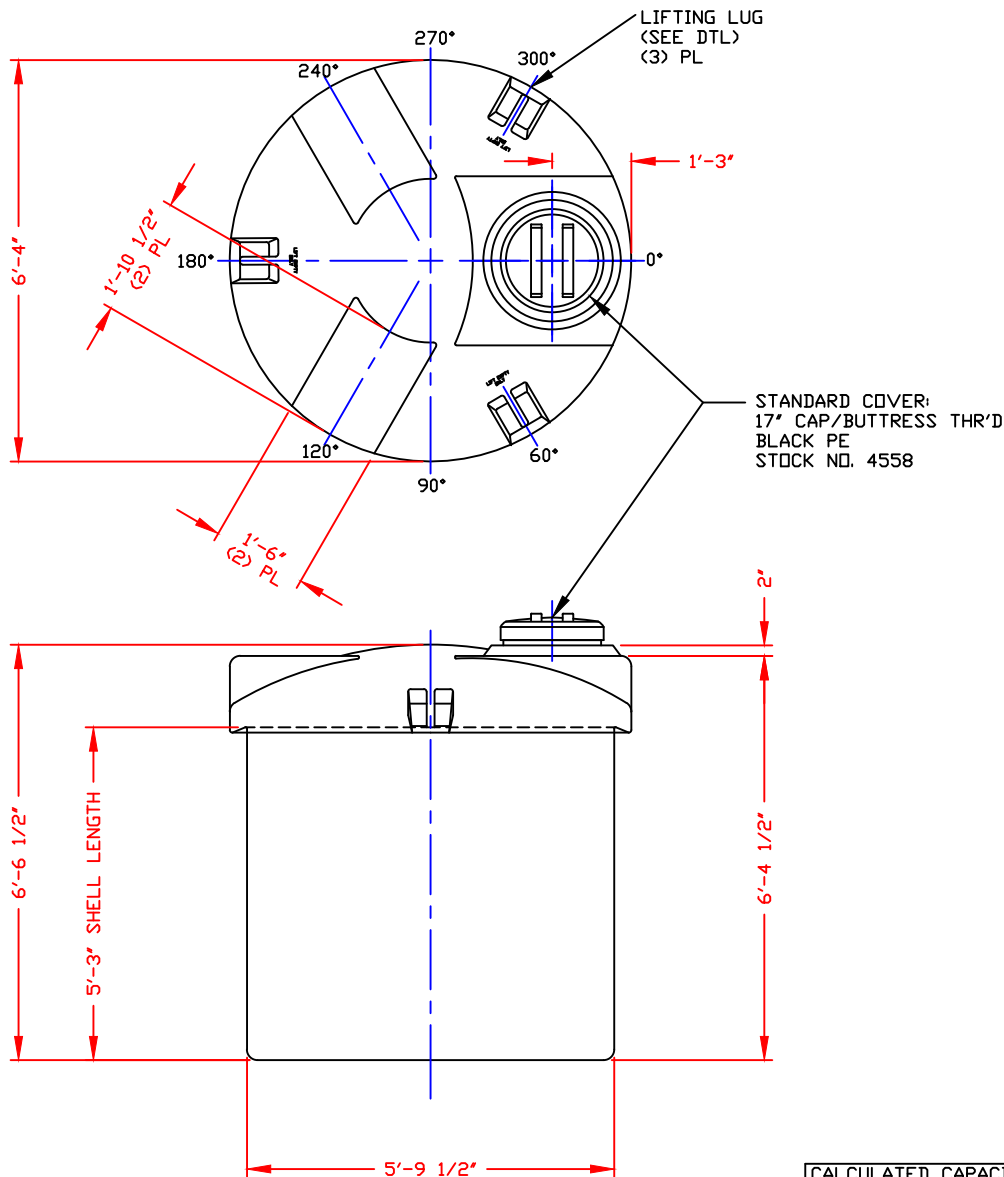



NON-CONTROLLED COPY
 INFORMATION SUBJECT TO CHANGE WITHOUT NOTICE
 VERIFY REV LEVEL OF PAPER COPY WITH REV LEVEL ON PPC WEB SITE



- NOTES:**
1. THIS IS A COMPUTER GENERATED DWG. DO NOT REVISE BY HAND.
 2. DIMENSIONS WILL VARY ±3% DUE TO VARIATIONS IN MULTIPLE MOLDS & CONDITIONS PREVALENT DURING MANUFACTURE & USAGE.
 3. FOR OUTER TANK DTLS SEE COMPUTER FILE NO. 12101200, TITLE "1015 GALLON OUTER SAFE-TANK/1200 GALLON OPEN TOP TANK." FOR ASSEMBLY SEE COMPUTER FILE NO. 12001015A, TITLE "1015 GALLON SAFE-TANK ASSEMBLY."

CONFIDENTIAL PROPERTY OF
 POLY PROCESSING COMPANY
 NOT FOR REPRINT OR USE
 WITHOUT PERMISSION

DWG TITLE		1015 GALLON SAFE-TANK		
SCALE:	1/2"=1'-0"	 Western Region P.O. Box 80 8825 South Ash Street French Camp, LA 70525 (504) 982-4964 FAX (504) 982-4455	DR:	B. HARPER
DATE:	09/13/19		CK:	
		SHEET	COMPUTER FILE	REV
		1 OF 1	SAFE-I-01015	-

CALCULATED CAPACITIES/ VOLUME IN U.S. GALLONS		
DESIGN CAP	DOME VOL	TOTAL VOL
1016	187	1203