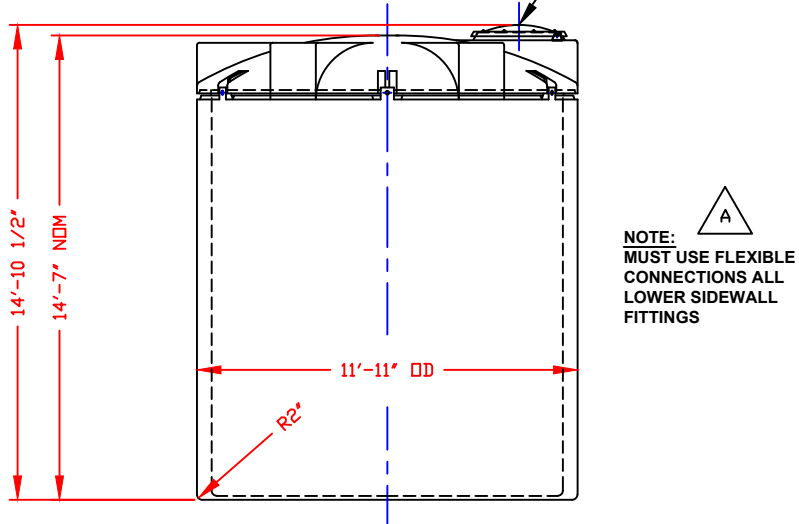
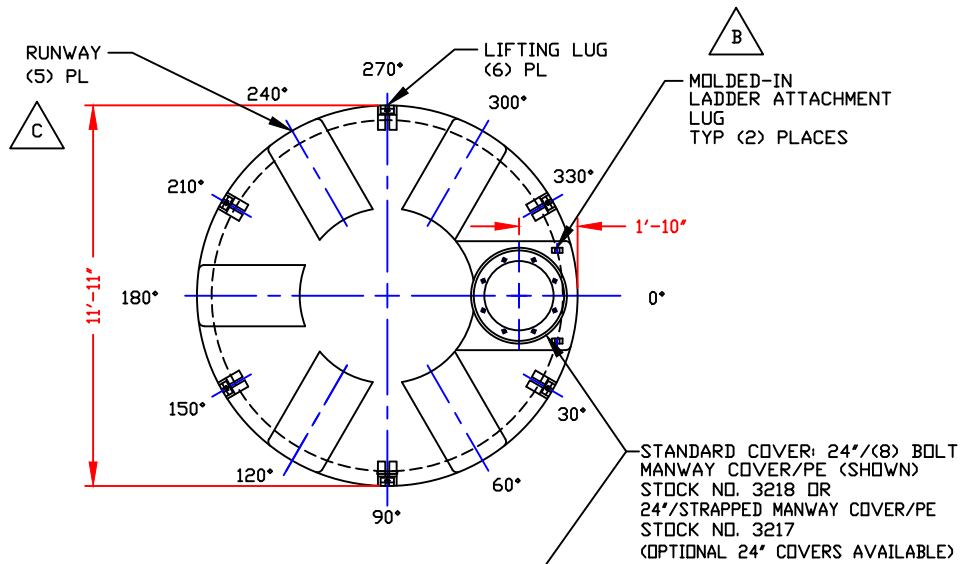


NON-CONTROLLED COPY
 INFORMATION SUBJECT TO CHANGE WITHOUT NOTICE
 VERIFY REV LEVEL OF PAPER COPY WITH REV LEVEL ON PPC WEB SITE


NOZZLE SCHEDULE & ACCESSORIES						
SERVICE	MK	STOCK NO.	SIZE	FITTING	DEG	ELEV



- NOTES**
- THIS IS A COMPUTER GENERATED DWG. DO NOT REVISE BY HAND.
 - DIMENSIONS WILL VARY ±3% DUE TO VARIATIONS IN MULTIPLE MOLDS & CONDITIONS PREVALENT DURING MANUFACTURE & USAGE.
 - OVERALL HEIGHT DIMENSION WILL VARY WITH THE PENETRATION OF THE INSIDE TANK INTO THE OUTSIDE TANK.
 - FOR INNER TANK DTLS SEE COMPUTER FILE NO. 2008700, TITLE "8700 GALLON INNER SAFE-TANK" FOR OUTER TANK DTLS SEE COMPUTER FILE NO. 2110150, TITLE "8700 GALLON OUTER SAFE-TANK/10150 GALLON OPEN TOP TANK."

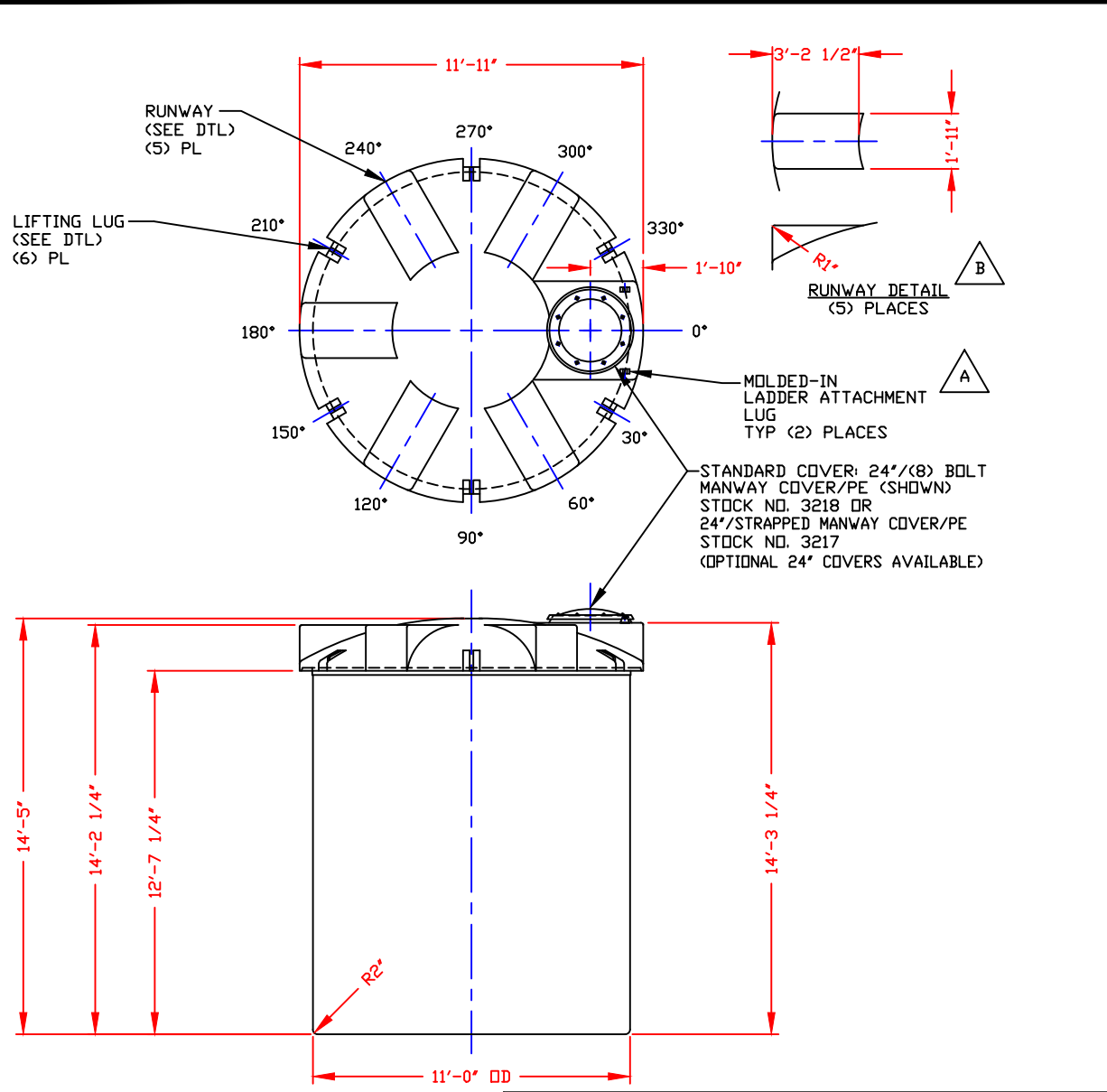
CALCULATED CAPACITIES/ VOLUME IN U.S. GALLONS			
TANK	DESIGN CAP	DOME VOL	TOTAL VOL
INNER	8727	675	9402
OUTER	10174	N/A	10174

CONFIDENTIAL PROPERTY OF
 POLY PROCESSING COMPANY
 NOT FOR REPRINT OR USE
 WITHOUT PERMISSION

DWG TITLE 8700 GALLON SAFE-TANK ASSEMBLY			
SCALE: 1/4"=1'-0"	 POLYPROCESSING SOLUTIONS. SIMPLIFIED.	Central Region P.O. Box 4150 71811 2201 Old Stoneington Rd. Norwood, LA 71055 CNP 503-7385 FAX 503-343-8795	DR: B. HARPER
DATE: 09/13/19		CK:	
		SHEET 1 OF 1	COMPUTER FILE SAFE-A-08700
			REV D

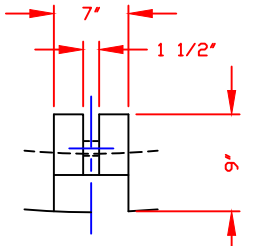
REV "D" ADDED RUNWAYS TO ELEV VIEW BY:JB 3/30/10 CK:SN
REV "C" ADDED (3) RUNWAYS BY:JB 8/18/09 CK:WM
REV "B" ADDED LADDER ATTACHMENT LUGS BY:JB 9/22/04 CK:WM
REV "A" ADDED FITTING NOTE BY:MBW 4/16/03 CK:JB

NON-CONTROLLED COPY
 INFORMATION SUBJECT TO CHANGE WITHOUT NOTICE
 VERIFY REV LEVEL OF PAPER COPY WITH REV LEVEL ON PPC WEB SITE



NOZZLE SCHEDULE & ACCESSORIES					
SERVICE	MK	STOCK NO.	SIZE	FITTING	DEG ELEV

NOTE: MOLDED IN 3/8" HIGH LETTERING ABOVE LIFTING LUGS TO READ:
 *LIFT EMPTY ONLY
 USE ALL LIFTING LUGS*



LIFTING LUG DETAIL
 (6) PLACES
 SCALE: 1"=1'-0"

- NOTES**
- THIS IS A COMPUTER GENERATED DWG. DO NOT REVISE BY HAND.
 - DIMENSIONS WILL VARY ±3% DUE TO VARIATIONS IN MULTIPLE MOLDS & CONDITIONS PREVALENT DURING MANUFACTURE & USAGE.
 - FOR OUTER TANK DTLS SEE COMPUTER FILE NO. 2110150, TITLE "8700 GALLON OUTER SAFE-TANK/10150 GALLON OPEN TOP TANK." FOR ASSEMBLY DTLS SEE COMPUTER FILE NO. 2008700A, TITLE "8700 GALLON SAFE-TANK ASSEMBLY."

CALCULATED CAPACITIES/ VOLUME IN U.S. GALLONS		
DESIGN CAP	DOME VOL	TOTAL VOL
8727	675	9402

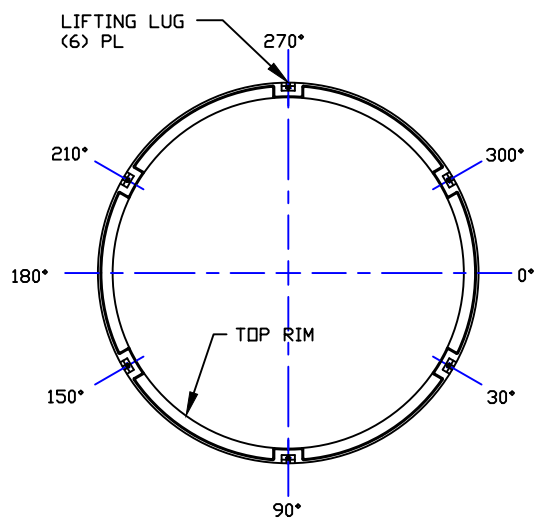
CONFIDENTIAL PROPERTY OF
 POLY PROCESSING COMPANY
 NOT FOR REPRINT OR USE
 WITHOUT PERMISSION

DWG TITLE 8700 GALLON INNER SAFE-TANK			
SCALE: 1/4"=1'-0"	 Central Region P.O. Box 4350 07813 2500 East Shreveport Rd. Monroe, LA 71202 CIBD 343-7545 FAX CIBD 343-8795	DR: B. HARPER	
DATE: 09/13/19		CK: 	
SHEET 1 OF 1		COMPUTER FILE SAFE-I-08700	REV C

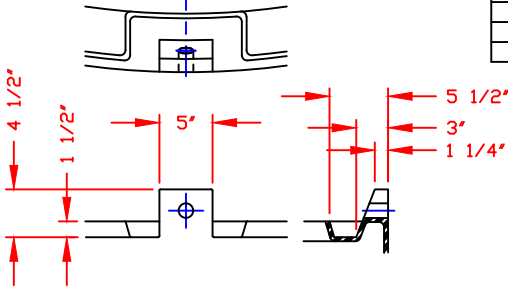
- REV "C" ADDED RUNWAYS TO ELEV VIEW BY:JB 3/30/10 CK:SN
- REV "B" ADDED (3) RUNWAYS BY:JB 8/18/09 CK:WM
- REV "A" ADDED LADDER ATTACHMENT LUGS BY:JB 9/22/04 CK:WM

NON-CONTROLLED COPY
 INFORMATION SUBJECT TO CHANGE WITHOUT NOTICE
 VERIFY REV LEVEL OF PAPER COPY WITH REV LEVEL ON PPC WEB SITE

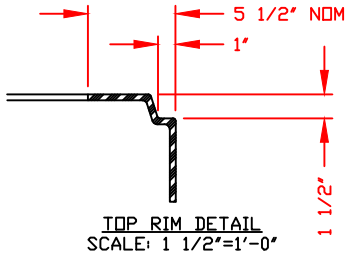
NOZZLE SCHEDULE & ACCESSORIES						
SERVICE	MK	STOCK NO.	SIZE	FITTING	DEG ELEV	



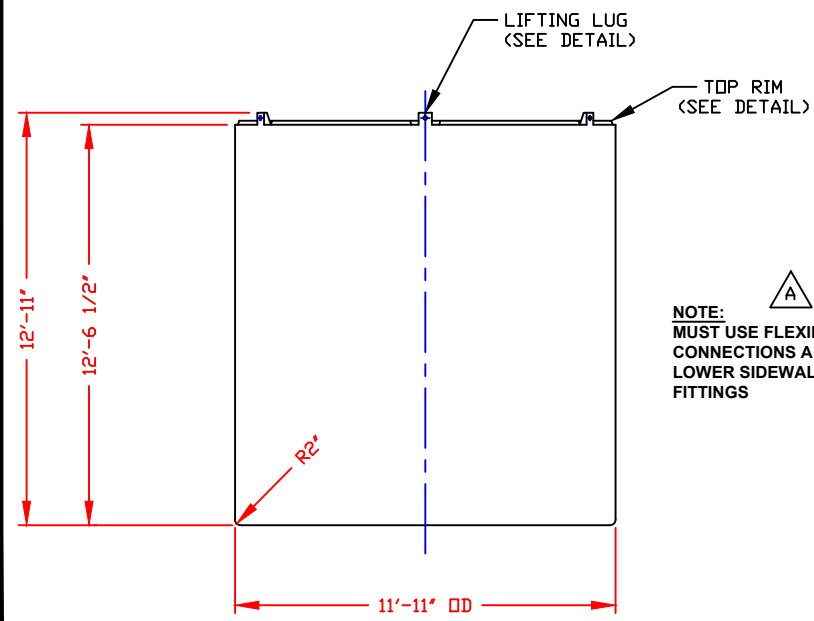
NOTE: MOLDED IN 3/8"
 HIGH LETTERING UNDER
 LIFTING LUGS TO READ:
 LIFT EMPTY ONLY
 USE ALL LIFTING LUGS



LIFTING LUG DETAIL
 (6) PLACES
 SCALE: 1"=1'-0"



TOP RIM DETAIL
 SCALE: 1 1/2"=1'-0"



NOTE: A
 MUST USE FLEXIBLE
 CONNECTIONS ALL
 LOWER SIDEWALL
 FITTINGS

- NOTES**
1. THIS IS A COMPUTER GENERATED DWG. DO NOT REVISE BY HAND.
 2. DIMENSIONS WILL VARY $\pm 3\%$ DUE TO VARIATIONS IN MULTIPLE MOLDS & CONDITIONS PREVALENT DURING MANUFACTURE & USAGE.
 3. NO GALLONAGE MARKERS THIS TANK.
 4. FOR INNER TANK DTLS SEE COMPUTER FILE NO. 2008700, TITLE "8700 GALLON INNER SAFE-TANK." FOR ASSEMBLY DTLS SEE COMPUTER FILE NO. 2008700A, TITLE "8700 GALLON SAFE-TANK ASSEMBLY."

CALCULATED CAPACITY
VOLUME IN U.S. GALLONS
DESIGN CAPACITY
10174

CONFIDENTIAL PROPERTY OF
 POLY PROCESSING COMPANY
 NOT FOR REPRINT OR USE
 WITHOUT PERMISSION

DWG TITLE			
8700 GALLON OUTER SAFE-TANK/ 10150 GALLON OPEN TOP TANK			
SCALE: 1/4"=1'-0"		Central Region P.O. Box 4150 (71611) 8201 Ind. Sterilization Rd. Norway, LA 71055 CIBD 343-7563 FAX CIBD 343-8795	DR: B. HARPER
DATE: 09/13/19		CK:	
SHEET		COMPUTER FILE	REV
1 OF 1		SAFE-D-08700	A