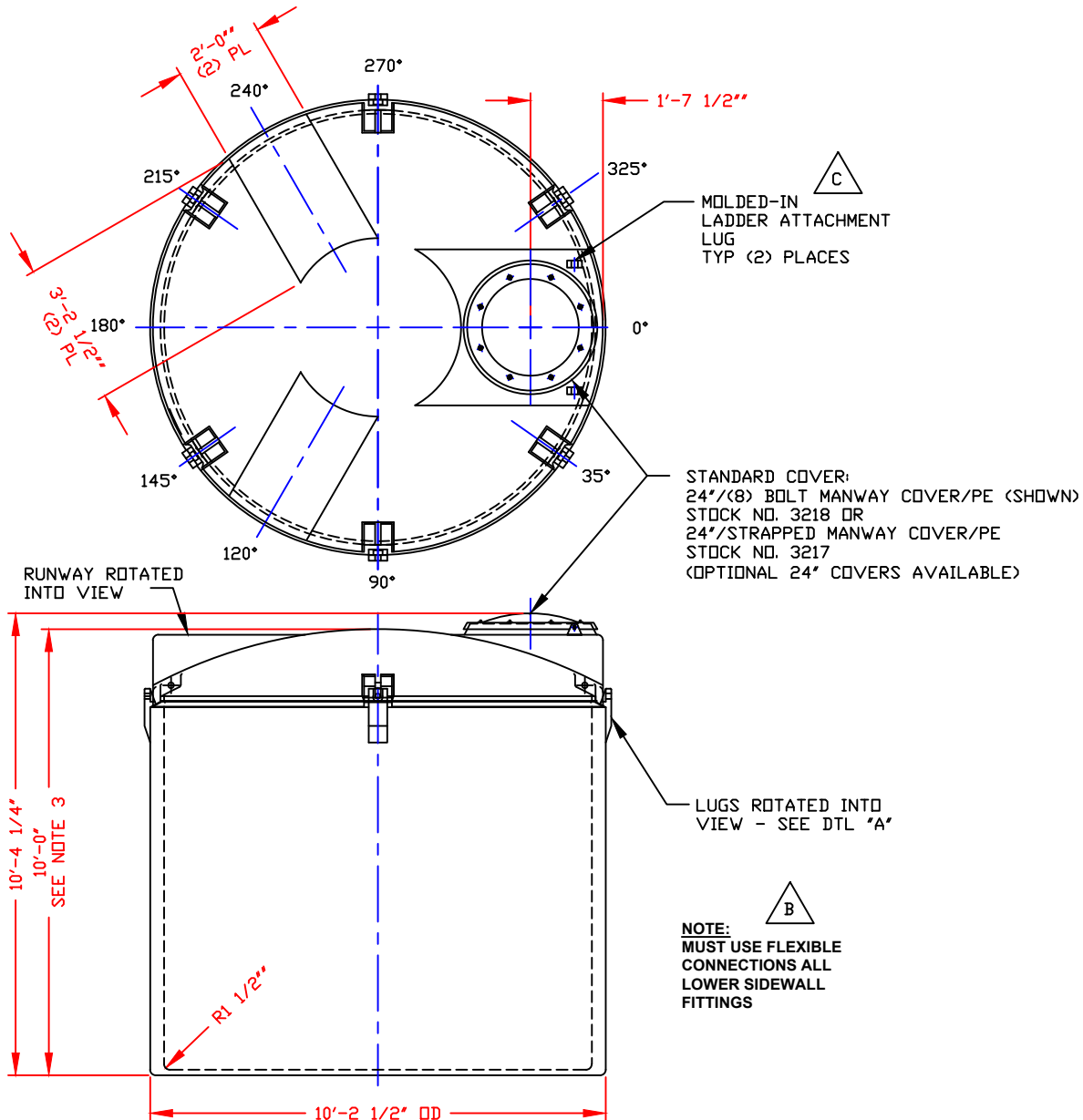
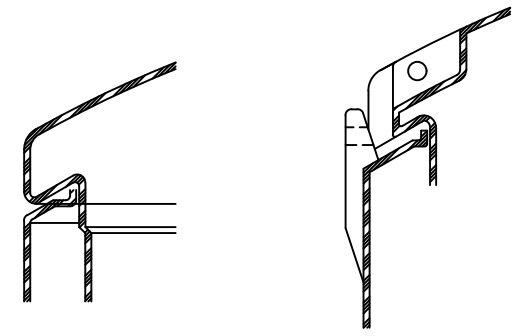


NON-CONTROLLED COPY  
 INFORMATION SUBJECT TO CHANGE WITHOUT NOTICE  
 VERIFY REV LEVEL OF PAPER COPY WITH REV LEVEL ON PPC WEB SITE



NOZZLE SCHEDULE & ACCESSORIES					
SERVICE	MK	STOCK NO.	SIZE	FITTING	DEG ELEV



- NOTES:
- THIS IS A COMPUTER GENERATED DWG. DO NOT REVISE BY HAND.
  - DIMENSIONS WILL VARY ±3% DUE TO VARIATIONS IN MULTIPLE MOLDS & CONDITIONS PREVALENT DURING MANUFACTURE & USAGE.
  - OVERALL HEIGHT DIMENSION WILL VARY WITH THE PENETRATION OF THE INNER TANK INTO THE OUTER TANK.
  - NO MOLDED IN GALLONAGE MARKERS THESE TANKS.
  - FOR INNER TANK DTLS SEE COMPUTER FILE NO. 2004400, TITLE "4400 GALLON INNER SAFE-TANK." FOR OUTER TANK DTLS SEE COMPUTER FILE NO. 2104950, TITLE "4400 GALLON OUTER SAFE-TANK/4950 GALLON OPEN TOP TANK."

CALCULATED CAPACITIES/ VOLUME IN U.S. GALLONS			
TANK	DESIGN CAP	DOME VOL	TOTAL VOL
INNER	4385	437	4822
OUTER	4994	N/A	4994

CONFIDENTIAL PROPERTY OF  
 POLY PROCESSING COMPANY  
 NOT FOR REPRINT OR USE  
 WITHOUT PERMISSION

DWG TITLE: 4400 GALLON SAFE-TANK ASSEMBLY

SCALE: 3/8"=1'-0"

DATE: 09/13/19

POLYPROCESSING SOLUTIONS, SIMPLIFIED.

Central Region  
 P.O. Box 4150 (71811)  
 8201 Old Sterlington Rd.  
 Monroe, LA 71203  
 (504) 343-7565  
 FAX: (504) 343-8795

DR: B. HARPER

CK:

SHEET 1 OF 1

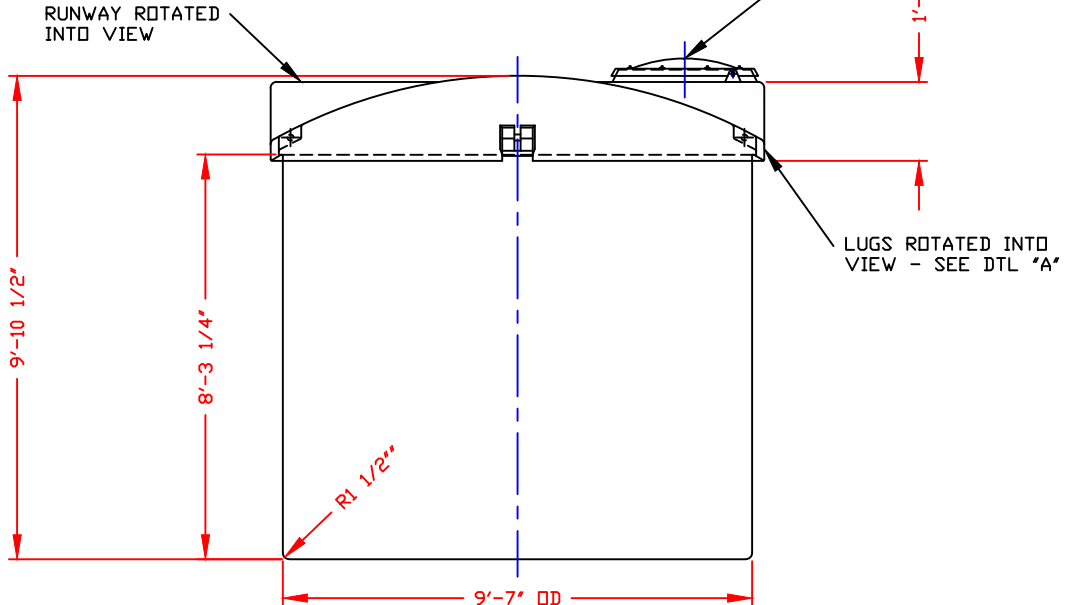
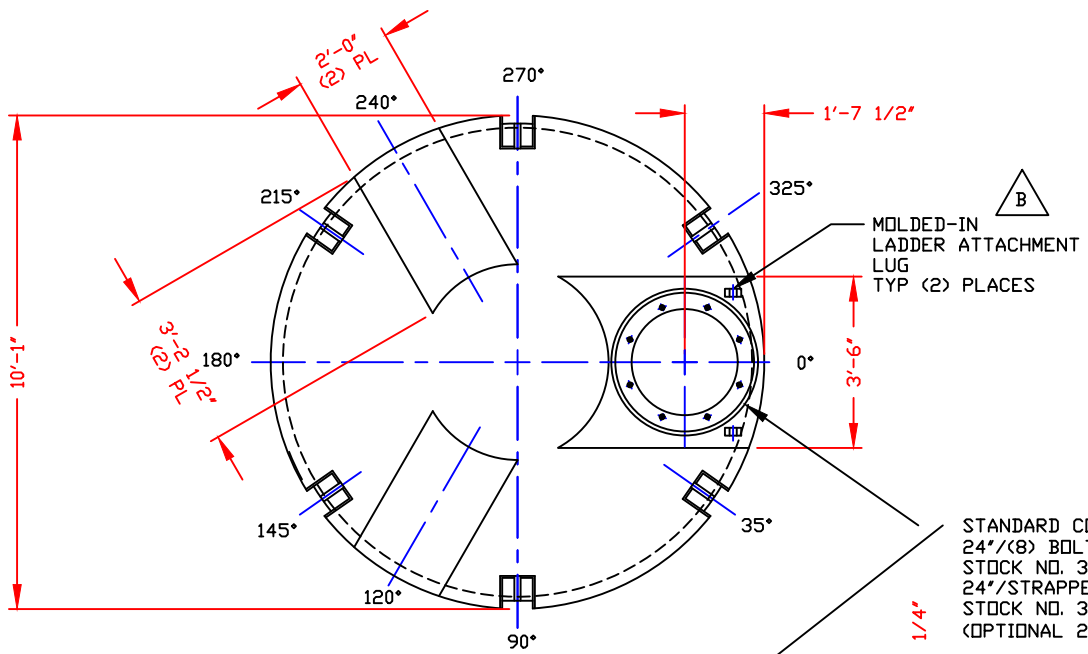
COMPUTER FILE SAFE-A-04400

REV C

REV "C" ADDED LADDER ATTACHMENT LUGS BY:JB 8/30/04 CK:WM  
 REV "B" ADDED FITTING NOTE BY:MBW 4/16/03 CK:JB  
 REV "A" REDRAWN SHOWING MOLD MODIFICATIONS BY:MBW 5/15/02 CK:JB

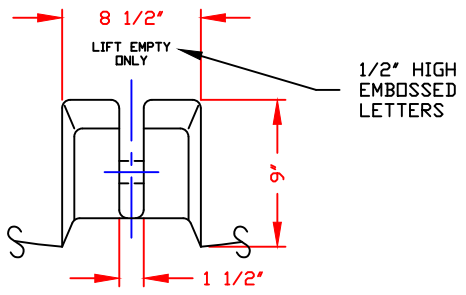
NON-CONTROLLED COPY  
 INFORMATION SUBJECT TO CHANGE WITHOUT NOTICE  
 VERIFY REV LEVEL OF PAPER COPY WITH REV LEVEL ON PPC WEB SITE

REV "A" REDRAWN SHOWING MOLD MODIFICATIONS BY MBW 5/15/02 CK-JB  
 REV "B" ADDED LADDER ATTACHMENT LUGS BY JUB 8/30/04 CK-WM



NOZZLE SCHEDULE & ACCESSORIES

SERVICE	MK	STOCK NO.	SIZE	FITTING	DEG	ELEV



STANDARD COVER:  
 24"/(8) BOLT MANWAY COVER/PE (SHOWN)  
 STOCK NO. 3218 OR  
 24"/STRAPPED MANWAY COVER/PE  
 STOCK NO. 3217  
 (OPTIONAL 24" COVERS AVAILABLE)

DETAIL "A"  
 SCALE: 1 1/2"=1'-0"

- NOTES:
1. THIS IS A COMPUTER GENERATED DWG. DO NOT REVISE BY HAND.
  2. DIMENSIONS WILL VARY ±3% DUE TO VARIATIONS IN MULTIPLE MOLDS & CONDITIONS PREVALENT DURING MANUFACTURE & USAGE.
  3. NO MOLDED IN GALLONAGE MARKERS THIS TANK.
  4. FOR OUTER TANK DTLS SEE COMPUTER FILE NO. 2104950, TITLE "4400 GALLON OUTER SAFE-TANK/4950 GALLON OPEN TOP TANK." FOR ASSEMBLY DTLS SEE COMPUTER FILE NO. 2004400A, TITLE "4400 GALLON SAFE-TANK ASSEMBLY."

CALCULATED CAPACITIES/ VOLUME IN U.S. GALLONS		
DESIGN CAP	DOME VOL	TOTAL VOL
4385	437	4822

CONFIDENTIAL PROPERTY OF  
 POLY PROCESSING COMPANY  
 NOT FOR REPRINT OR USE  
 WITHOUT PERMISSION

DWG TITLE: 4400 GALLON INNER SAFE-TANK

SCALE: 3/8"=1'-0"

DATE: 09/113/19

Central Region  
 P.O. Box 4150 (71211)  
 2801 Old Springington Rd.  
 Monroe, LA 71203  
 CALL 343-7665  
 FAX 343-8795

DR: B. HARPER  
 CK:

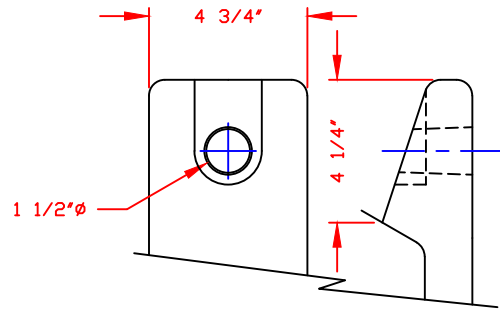
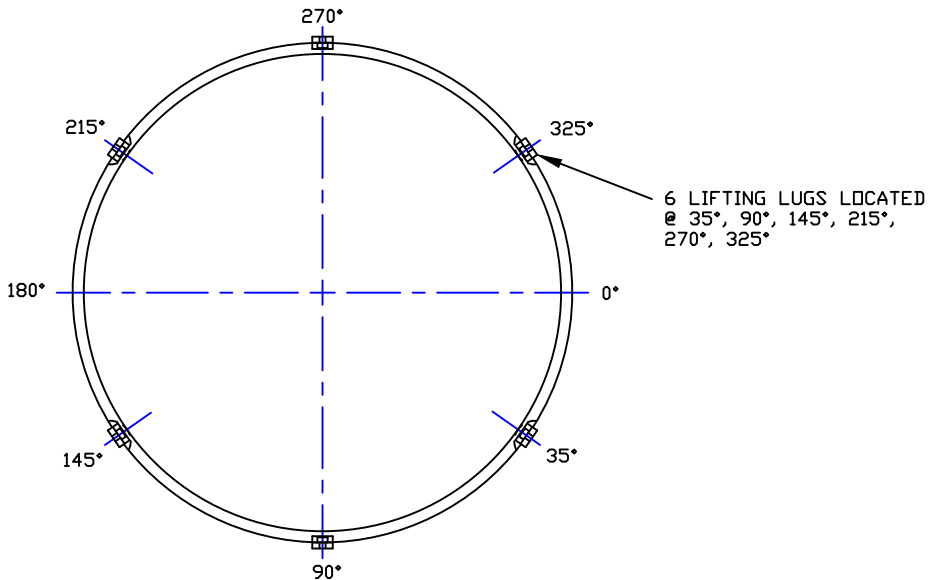
POLYPROCESSING  
 SOLUTIONS. SIMPLIFIED.

SHEET: 1 OF 1  
 COMPUTER FILE: SAFE-I-04400  
 REV: B

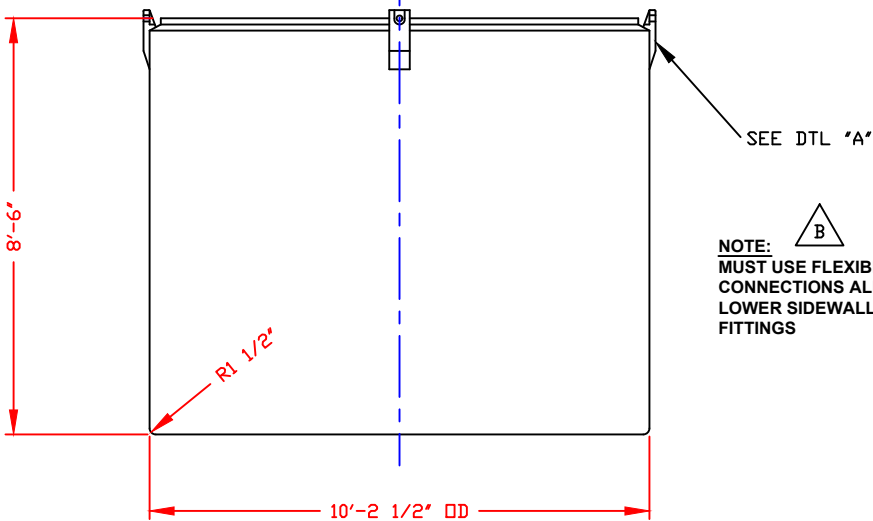
NON-CONTROLLED COPY  
 INFORMATION SUBJECT TO CHANGE WITHOUT NOTICE  
 COPY WILL NOT BE UPDATED

COPY ISSUED BY \_\_\_\_\_  
 COPY ISSUED ON \_\_\_\_\_

NOZZLE SCHEDULE & ACCESSORIES						
SERVICE	MK	STOCK NO.	SIZE	FITTING	DEG	ELEV



LUG DETAIL "A"  
 SCALE: 1 1/2" = 1'-0"



NOTE: B  
 MUST USE FLEXIBLE CONNECTIONS ALL LOWER SIDEWALL FITTINGS

- NOTES:
- THIS IS A COMPUTER GENERATED DWG. DO NOT REVISE BY HAND.
  - DIMENSIONS WILL VARY ±3% DUE TO VARIATIONS IN MULTIPLE MOLDS & CONDITIONS PREVALENT DURING MANUFACTURE & USAGE.
  - NO MOLDED IN GALLONAGE MARKERS THIS TANK.
  - FOR INNER TANK DTLS SEE COMPUTER FILE NO. 2004400, TITLE "4400 GALLON INNER SAFE-TANK." FOR ASSEMBLY DTLS SEE COMPUTER FILE NO. 2004400A, TITLE, "4400 GALLON SAFE-TANK ASSEMBLY."

CALCULATED CAPACITY
VOLUME IN U.S. GALLONS
DESIGN CAPACITY
4994

CONFIDENTIAL PROPERTY OF  
 POLY PROCESSING COMPANY  
 NOT FOR REPRINT OR USE  
 WITHOUT PERMISSION

DWG TITLE 4350 & 4400 GALLON OUTER SAFE-TANK/ 4950 GALLON OPEN TOP TANK			
SCALE: 3/8"=1'-0"	POLYPROCESSING SOLUTIONS, SIMPLIFIED.	Central Region P.O. Box 4100 678210 5501 Old Sterlington Rd Marrero, LA 71183 CSD 343-7263 FAX CSD 343-6795	DR: B. HARPER
DATE: 09/13/19		CK:	
SHEET 1 OF 1	COMPUTER FILE SAFE-0-04400	REV B	

REV "B" ADDED FITTING NOTE BY:MBW 4/16/03 CK:JB  
 REV "A" REDRAWN SHOWING MOLD MODIFICATIONS BY:MBW 5/15/02 CK:JB