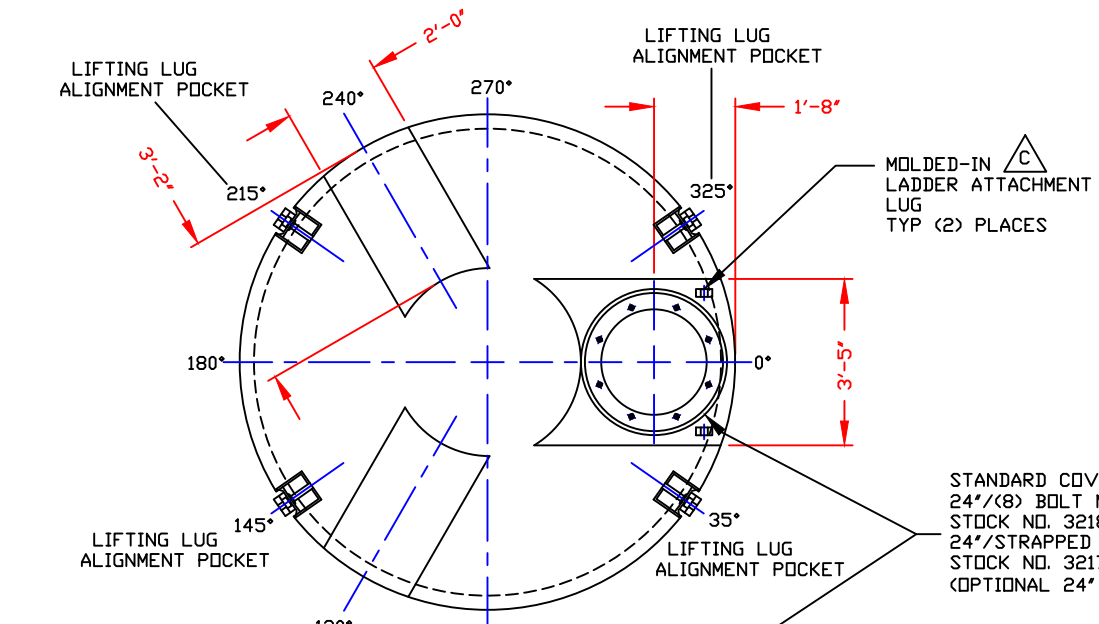
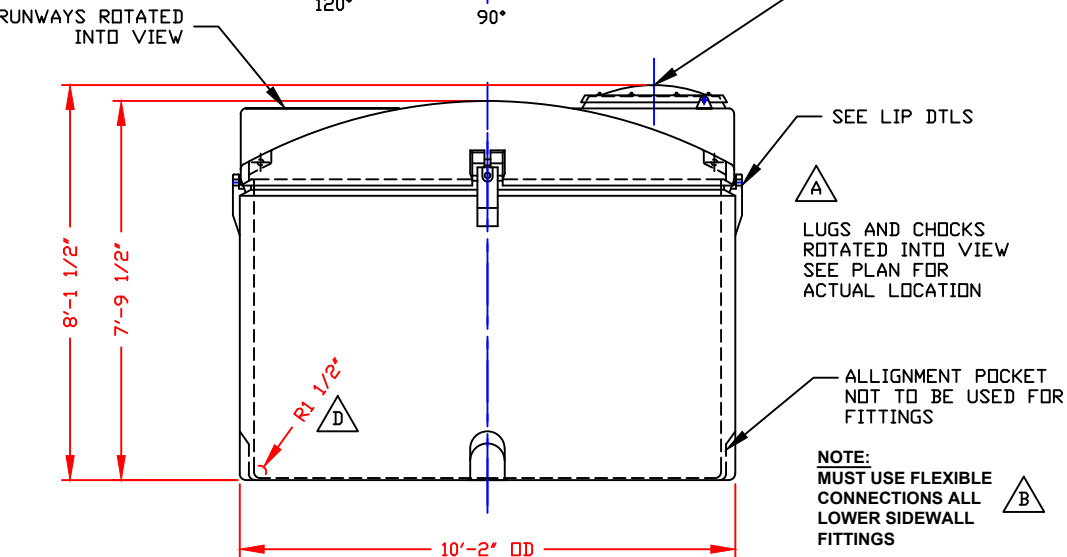
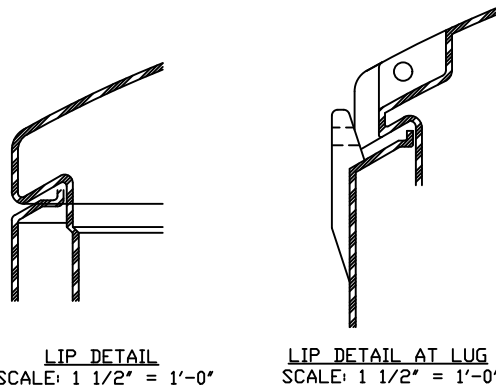


NON-CONTROLLED COPY
 INFORMATION SUBJECT TO CHANGE WITHOUT NOTICE
 VERIFY REV LEVEL OF PAPER COPY WITH REV LEVEL ON PPC WEB SITE

NOZZLE SCHEDULE & ACCESSORIES						
SERVICE	MK	STOCK NO.	SIZE	FITTING	DEG	ELEV



STANDARD COVER:
 24"/(8) BOLT MANWAY COVER/PE (SHOWN)
 STOCK NO. 3218 OR
 24"/STRAPPED MANWAY COVER/PE
 STOCK NO. 3217
 (OPTIONAL 24" COVERS AVAILABLE)



NOTES:
 1. THIS IS A COMPUTER GENERATED DWG. DO NOT REVISE BY HAND.
 2. DIMENSIONS WILL VARY ±3% DUE TO VARIATIONS IN MULTIPLE MOLDS & CONDITIONS PREVALENT DURING MANUFACTURE & USAGE.
 3. FOR INNER TANK DTLS SEE COMPUTER FILE NO. 2003150, TITLE "3150 GALLON INNER SAFE-TANK" FOR OUTER TANK DTLS SEE COMPUTER FILE NO. 2103550, TITLE "3150 GALLON OUTER SAFE-TANK/3550 GALLON OPEN TOP TANK".
 4. OVERALL HEIGHT DIMENSION WILL VARY WITH THE PENETRATION OF THE INNER TANK INTO THE OUTER TANK.

CALCULATED CAPACITIES/ VOLUME IN U.S. GALLONS			
TANK	DESIGN CAP	DOME VOL	TOTAL VOL
INNER	3191	419	3610
OUTER	3551	N/A	3551

CONFIDENTIAL PROPERTY OF
 POLY PROCESSING COMPANY
 NOT FOR REPRINT OR USE
 WITHOUT PERMISSION

REV "C" ADDED LADDER ATTACHMENT LUGS BY:JB 10/1/04 CK:WM
 REV "B" ADDED FITTING NOTE BY:MBW 4/16/03 CK:JB
 REV "A" MODIFICATION TO MOLD BY:MBW 9/10/02 CK:JB

DWG TITLE: 3150 GALLON SAFE-TANK ASSEMBLY

SCALE: 3/8"=1'-0"

DATE: 09/13/19

POLYPROCESSING SOLUTIONS. SIMPLIFIED.

Central Region
 P.O. Box 4328 (71820)
 2500 Old Springtown Rd.
 Monroe, LA 71203
 (504) 342-7525
 FAX (504) 342-0795

DR: B. HARPER
 CK:

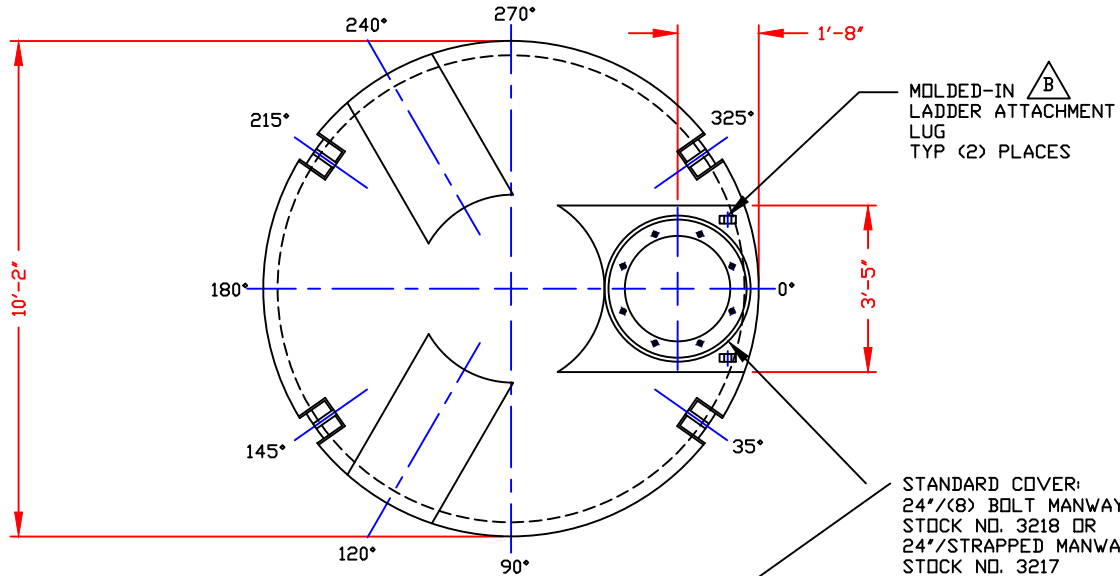
SHEET: 1 OF 1
 COMPUTER FILE: SAFE-A-03150

REV: D

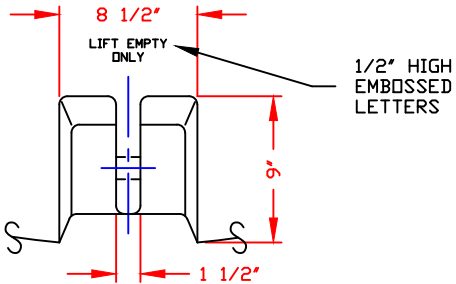
REV "D" REVISED RADIUS BY:JB 3/2/10 CK:WM

NON-CONTROLLED COPY
 INFORMATION SUBJECT TO CHANGE WITHOUT NOTICE
 VERIFY REV LEVEL OF PAPER COPY WITH REV LEVEL ON PPC WEB SITE

NOZZLE SCHEDULE & ACCESSORIES					
SERVICE	MK	STOCK NO.	SIZE	FITTING	DEG ELEV

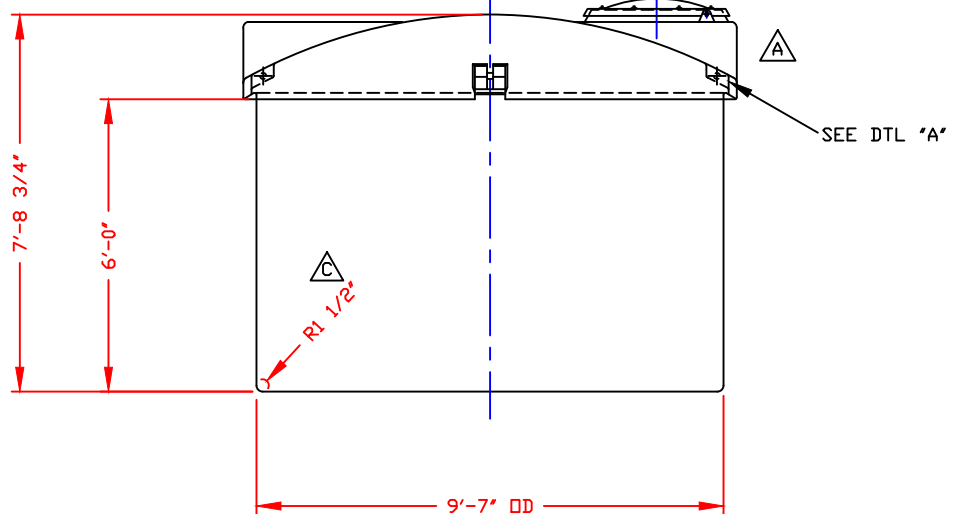


STANDARD COVER:
 24"/(8) BOLT MANWAY COVER/PE (SHOWN)
 STOCK NO. 3218 DR
 24"/STRAPPED MANWAY COVER/PE
 STOCK NO. 3217
 (OPTIONAL 24" COVERS AVAILABLE)



DETAIL "A"
 SCALE: 1 1/2"=1'-0"

- NOTES:
 1. THIS IS A COMPUTER GENERATED DWG. DO NOT REVISE BY HAND.
 2. DIMENSIONS WILL VARY ±3% DUE TO VARIATIONS IN MULTIPLE MOLDS & CONDITIONS PREVALENT DURING MANUFACTURE & USAGE.
 3. FOR OUTER TANK DTLS SEE COMPUTER FILE NO. 2103550, TITLE "3150 GALLON OUTER SAFE-TANK/3550 GALLON OPEN TOP TANK. FOR ASSEMBLY SEE COMPUTER FILE NO. 2003150A, TITLE "3150 GALLON SAFE-TANK ASSEMBLY".



CALCULATED CAPACITIES/ VOLUME IN U.S. GALLONS		
DESIGN CAP	DOME VOL	TOTAL VOL
3191	419	3610

CONFIDENTIAL PROPERTY OF
 POLY PROCESSING COMPANY
 NOT FOR REPRINT OR USE
 WITHOUT PERMISSION

- REV "C" REVISED RADIUS BY:JB 3/2/10 CK:WM
- REV "B" ADDED LADDER ATTACHMENT LUGS BY:JB 10/1/04 CK:WM
- REV "A" MODIFICATION TO MOLD BY:MBW 9/10/02 CK:JB

DWG TITLE 3150 GALLON INNER SAFE-TANK			
SCALE: 3/8"=1'-0"		Central Region P.O. Box 4150 71811 8201 Old Sterlington Rd. Monroe, LA 71203 CSD# 343-7265 FAX CSD# 343-8795	DR: B. HARPER
DATE: 09/13/19		CK: D. RECTOR	
SHEET 1 OF 1		COMPUTER FILE SAFE-I-03150	REV C

NON-CONTROLLED COPY

INFORMATION SUBJECT TO CHANGE WITHOUT NOTICE

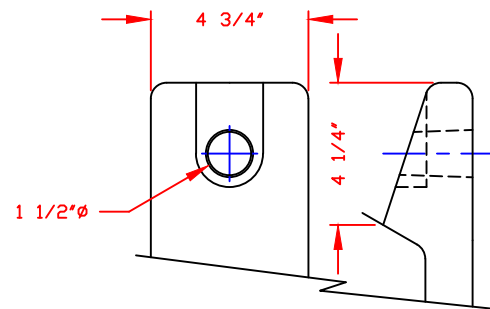
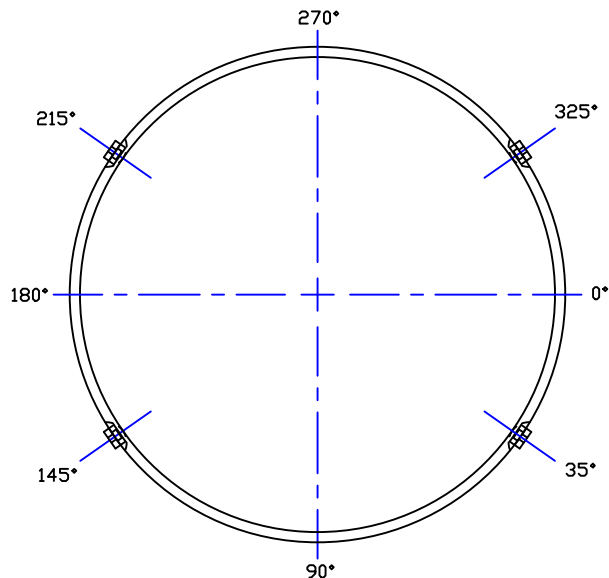
COPY WILL NOT BE UPDATED

COPY ISSUED BY.....

COPY ISSUED ON.....

NOZZLE SCHEDULE & ACCESSORIES

SERVICE	MK	STOCK NO.	SIZE	FITTING	DEG	ELEV



LUG DETAIL "A"
SCALE: 1 1/2" = 1'-0"

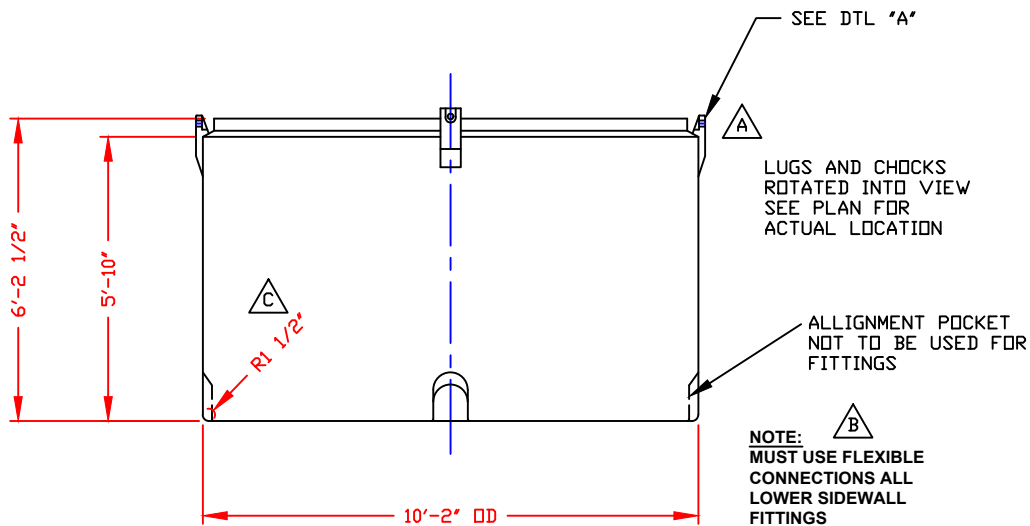
NOTES:

1. THIS IS A COMPUTER GENERATED DWG. DO NOT REVISE BY HAND.
2. DIMENSIONS WILL VARY ±3% DUE TO VARIATIONS IN MULTIPLE MOLDS & CONDITIONS PREVALENT DURING MANUFACTURE & USAGE.
3. FOR INNER TANK DTLS SEE COMPUTER FILE NO. 2003150, TITLE "3150 GALLON INNER SAFE-TANK" FOR ASSEMBLY DTLS
SEE COMPUTER FILE NO. 2003150A, TITLE "3150 GALLON SAFE-TANK ASSEMBLY."

CALCULATED CAPACITY
VOLUME IN U.S. GALLONS
DESIGN CAPACITY
3551

CONFIDENTIAL PROPERTY OF
POLY PROCESSING COMPANY
NOT FOR REPRINT OR USE
WITHOUT PERMISSION

DWG TITLE 3150 GALLON OUTER SAFE-TANK/ 3550 GALLON OPEN TOP TANK			
SCALE: 3/8"=1'-0"	POLYPROCESSING SOLUTIONS, SIMPLIFIED.	Central Region P.O. Box 4029 71223 8201 Old Sterlington Rd. Morgan, LA 71258 CSD 342-7565 FAX CSD 342-8795	DR: B. HARPER
DATE: 09/13/19		CK:	
SHEET	COMPUTER FILE	REV	
1 OF 1	SAFE-0-03150	C	



NOTE:
MUST USE FLEXIBLE
CONNECTIONS ALL
LOWER SIDEWALL
FITTINGS

- REV "C" REVISED RADIUS BY:JB 3/2/10 CK:WM
- REV "B" ADDED FITTING NOTE BY:MBW 4/16/03 CK:JB
- REV "A" MODIFICATION TO MOLD BY:MBW 9/10/02 CK:JB