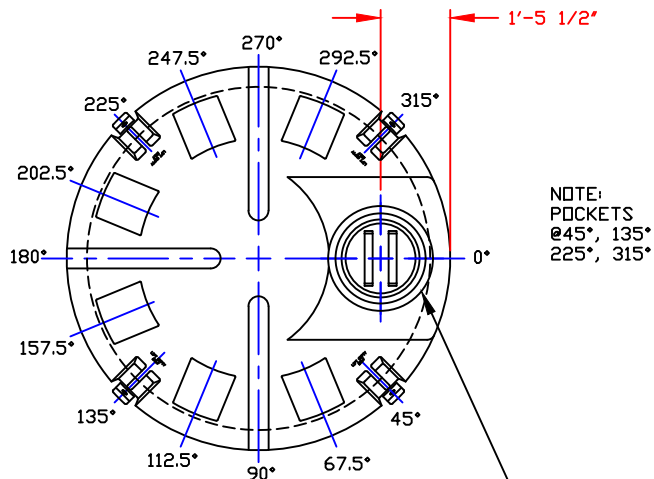


NON-CONTROLLED COPY  
 INFORMATION SUBJECT TO CHANGE WITHOUT NOTICE  
 VERIFY REV LEVEL OF PAPER COPY WITH REV LEVEL ON PPC WEB SITE

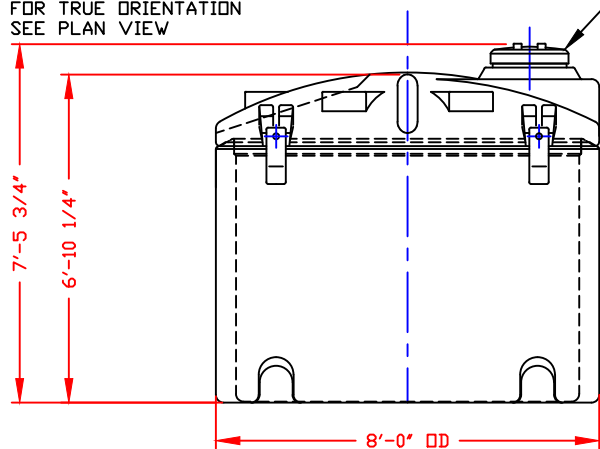
NOZZLE SCHEDULE & ACCESSORIES					
SERVICE	MK	STOCK NO.	SIZE	FITTING	DEG ELEV



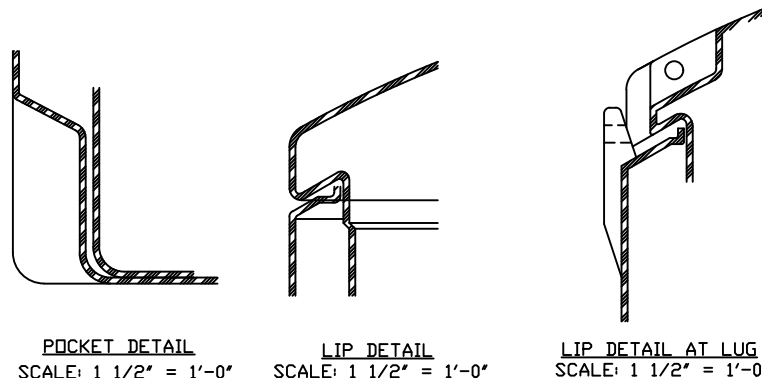
NOTE:  
 POCKETS  
 @45°, 135°  
 225°, 315°

STANDARD COVER:  
 17" CAP/BUTTRESS THR'D  
 BLACK PE  
 STOCK NO. 4558

ELEVATIONS ONLY--  
 NOZZLES & ACCESSORIES  
 ROTATED INTO VIEW--  
 FOR TRUE ORIENTATION  
 SEE PLAN VIEW



NOTE:  
 MUST USE FLEXIBLE  
 CONNECTIONS ALL  
 LOWER SIDEWALL  
 FITTINGS



- NOTES:
1. THIS IS A COMPUTER GENERATED DWG. DO NOT REVISE BY HAND.
  2. DIMENSIONS WILL VARY ±3% DUE TO VARIATIONS IN MULTIPLE MOLDS & CONDITIONS PREVALENT DURING MANUFACTURE & USAGE.
  3. FOR INNER TANK DTLS SEE COMPUTER FILE NO. 2001550 TITLE '1550 GALLON INNER SAFE-TANK,' FOR OUTER TANK DTLS SEE COMPUTER FILE NO. 2101950, TITLE '1550 GALLON OUTER SAFE-TANK/1950 OPEN TOP TANK'.
  4. TANK DESIGNED FOR 1.9 SpG MAT'L @ 100°F/ATMOS PRESSURE

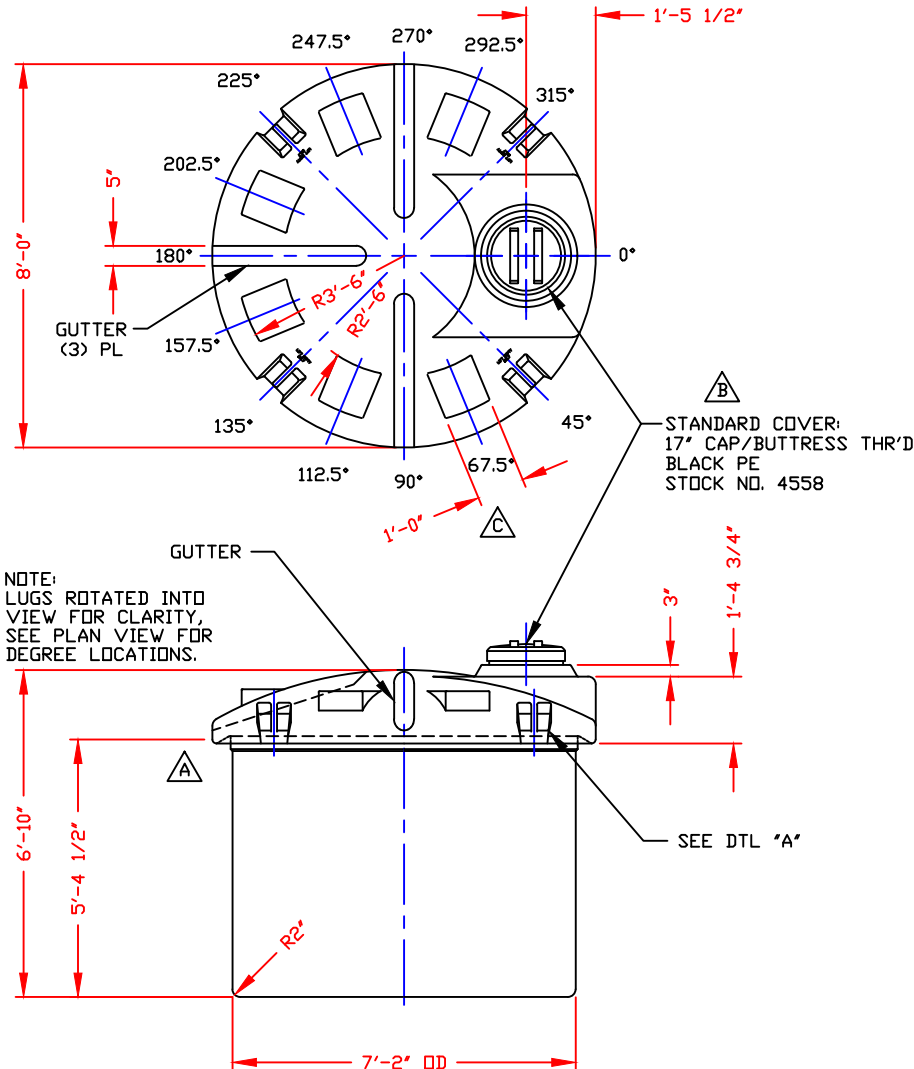
TANK	DESIGN CAP	DOME VOL	TOTAL VOL
INNER	1586	204	1790
OUTER	1954	N/A	1954

DWG TITLE 1550 GALLON SAFE-TANK ASSEMBLY		1.9 SpG/XLPE/NATURAL INNER STOCK NO. 72001550410 OUTER STOCK NO. 72101950410	
SERVICE:XXXXXX	SCALE: 3/8" = 1'-0"	 Central Region P.O. Box 4190 (71211) 8281 Old Shreveport Rd. Norcross, LA 71203 (504) 343-7955 FAX (504) 343-8795	DR: B. HARPER
DATE: 09/13/19			CK:
SHEET 1 OF 1	COMPUTER FILE SAFE-A-01550		REV -

NON-CONTROLLED COPY  
 INFORMATION SUBJECT TO CHANGE WITHOUT NOTICE  
 VERIFY REV LEVEL OF PAPER COPY WITH REV LEVEL ON PPC WEB SITE

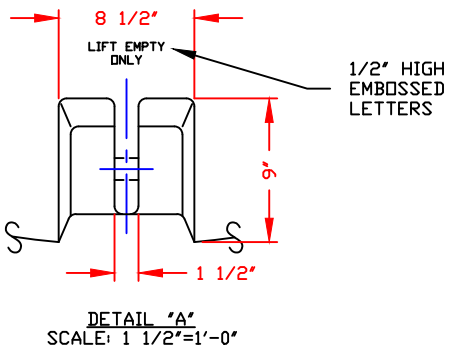
NOTE:  
 ALL HIDDEN LINES ARE NOT SHOWN.  
 SOME ARE SHOWN FOR CLARITY.

NOZZLE SCHEDULE & ACCESSORIES					
SERVICE	MK	STOCK NO.	SIZE	FITTING	DEG ELEV



NOTE:  
 LUGS ROTATED INTO  
 VIEW FOR CLARITY,  
 SEE PLAN VIEW FOR  
 DEGREE LOCATIONS.

STANDARD COVER:  
 17" CAP/BUTTRESS THR'D  
 BLACK PE  
 STOCK NO. 4558



NOTES:  
 1. THIS IS A COMPUTER GENERATED DWG. DO NOT REVISE BY HAND.  
 2. DIMENSIONS WILL VARY ±3% DUE TO VARIATIONS IN MULTIPLE MOLDS & CONDITIONS PREVALENT DURING MANUFACTURE & USAGE.  
 3. FOR OUTER TANK DTLS SEE COMPUTER FILE NO. 2101950, TITLE '1550 GALLON OUTER SAFE-TANK/1950 GALLON OPEN TOP TANK.' FOR ASSEMBLY DTLS SEE COMPUTER FILE NO. 2001550A, TITLE '1550 GALLON SAFE-TANK ASSEMBLY.'

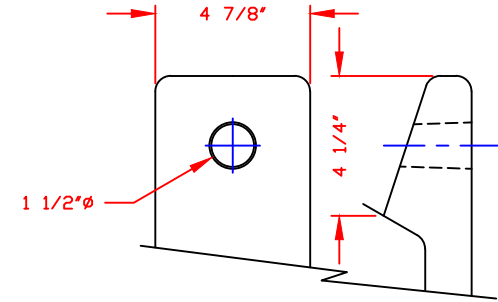
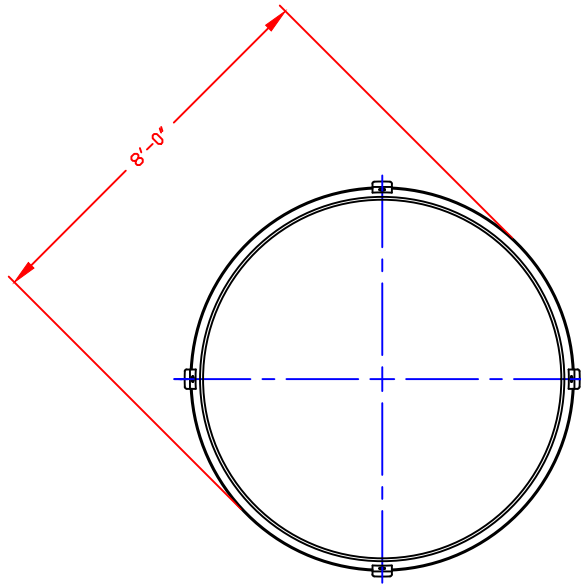
CALCULATED CAPACITIES/ VOLUME IN U.S. GALLONS		
DESIGN CAP	DOME VOL	TOTAL VOL
1586	204	1790

CONFIDENTIAL PROPERTY OF  
 POLY PROCESSING COMPANY  
 NOT FOR REPRINT OR USE  
 WITHOUT PERMISSION

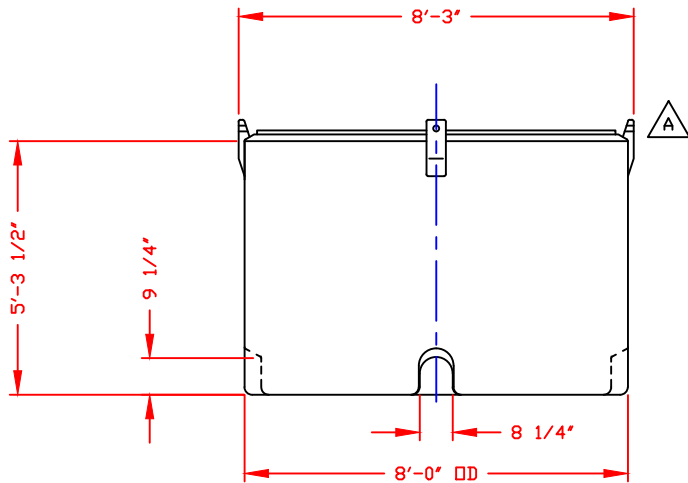
REV "C" ADDED FTG FLATS BY:JB 4/8/13 CK:WM  
 REV "B" REVISED COVER BY:JB 7/27/09 CK:WM  
 REV "A" MODIFICATION TO MOLD BY:MBW 3/21/02 CK:BT

DWG TITLE 1550 GALLON INNER SAFE-TANK			
SCALE: 3/8"=1'-0"	 POLY PROCESSING SOLUTIONS, SIMPLIFIED.	Central Region P.O. Box 4026 07110 200 Elm Street Harrison, LA 71303 504-343-7565 FAX 504-343-0795	DR: B. HARPER
DATE: 09/13/19		CK:	
SHEET 1 OF 1		COMPUTER FILE SAFE-I-01550	REV C

NON-CONTROLLED COPY  
 INFORMATION SUBJECT TO CHANGE WITHOUT NOTICE  
 VERIFY REV LEVEL OF PAPER COPY WITH REV LEVEL ON PPC WEB SITE



LUG DETAIL  
 SCALE: 1 1/2" = 1'-0"




**NOTE:**  
 MUST USE FLEXIBLE CONNECTIONS ALL LOWER SIDEWALL FITTINGS

- NOTES:**
1. THIS IS A COMPUTER GENERATED DWG. DO NOT REVISE BY HAND.
  2. DIMENSIONS WILL VARY ±3% DUE TO VARIATIONS IN MULTIPLE MOLDS & CONDITIONS PREVALENT DURING MANUFACTURE & USAGE.
  3. FOR INNER TANK DTLS SEE COMPUTER FILE NO. 2001550, TITLE "1550 GALLON INNER SAFE-TANK," FOR ASSEMBLY DTLS SEE COMPUTER FILE NO. 2001550A, TITLE "1550 GALLON SAFE-TANK ASSEMBLY."

CALCULATED CAPACITY  
 VOLUME IN U.S. GALLONS  
 DESIGN CAPACITY  
 1954

CONFIDENTIAL PROPERTY OF  
 POLY PROCESSING COMPANY  
 NOT FOR REPRINT OR USE  
 WITHOUT PERMISSION

DWG TITLE 1550 GALLON OUTER SAFE-TANK/ 1950 OPEN TOP TANK			
SCALE: 3/8"=1'-0"		<small>Central Region P.O. Box 4150 71210 Morgan, LA 71203 C/Box 343-7665 FAX 504-343-8790</small>	DR: B. HARPER
DATE: 09/13/19		CK:	
	SHEET 1 OF 1	COMPUTER FILE SAFE-0-01550	REV B

REV "B" ADDED FITTING NOTE BY:MBW 4/16/03 CK:JB  
 REV "A" MODIFICATION TO MOLD BY:MBW 3/21/02 CK:BT