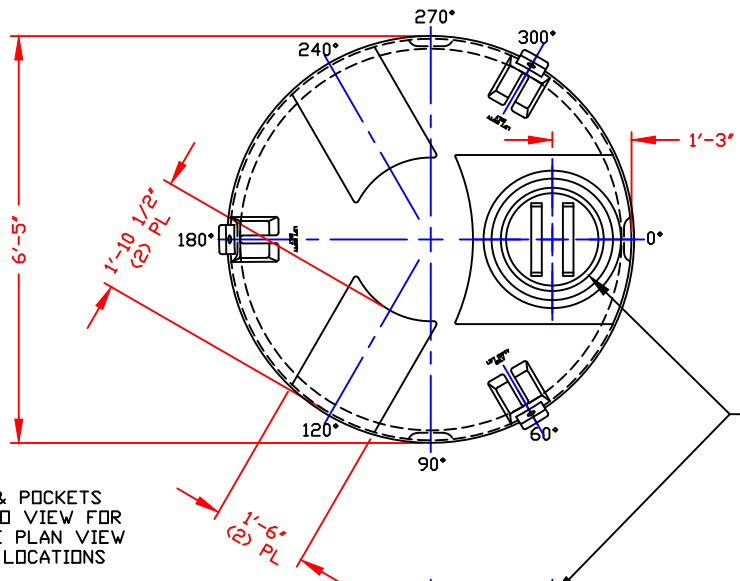
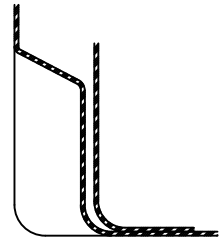


NON-CONTROLLED COPY
 INFORMATION SUBJECT TO CHANGE WITHOUT NOTICE
 VERIFY REV LEVEL OF PAPER COPY WITH REV LEVEL ON PPC WEB SITE

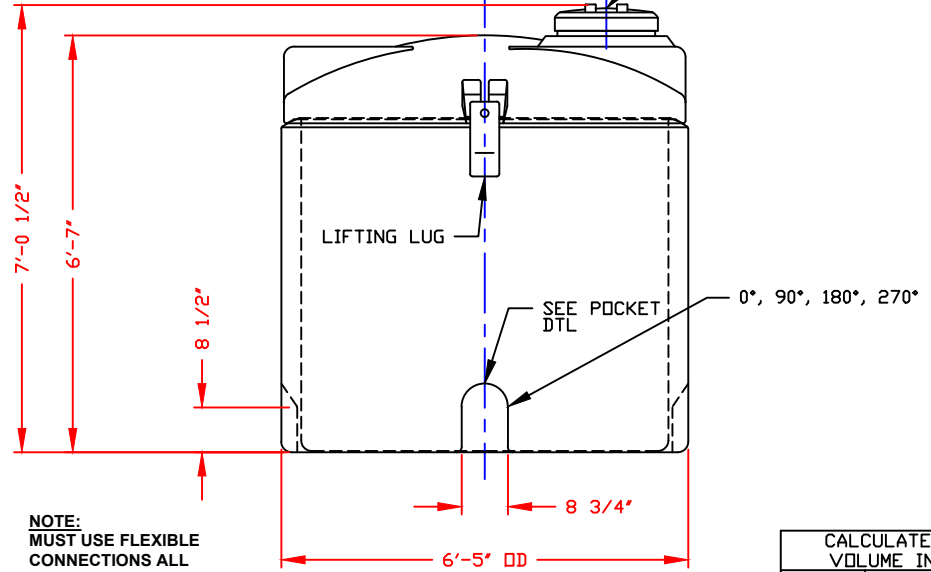


NOTE: LUGS & POCKETS ROTATED INTO VIEW FOR CLARITY. SEE PLAN VIEW FOR DEGREE LOCATIONS

STANDARD COVER:
 17" CAP/BUTTRESS THR'D
 BLACK PE
 STOCK NO. 4558



POCKET DETAIL
 SCALE: NONE




NOTE:
 MUST USE FLEXIBLE CONNECTIONS ALL LOWER SIDEWALL FITTINGS

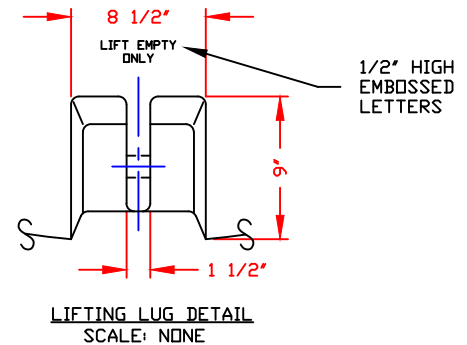
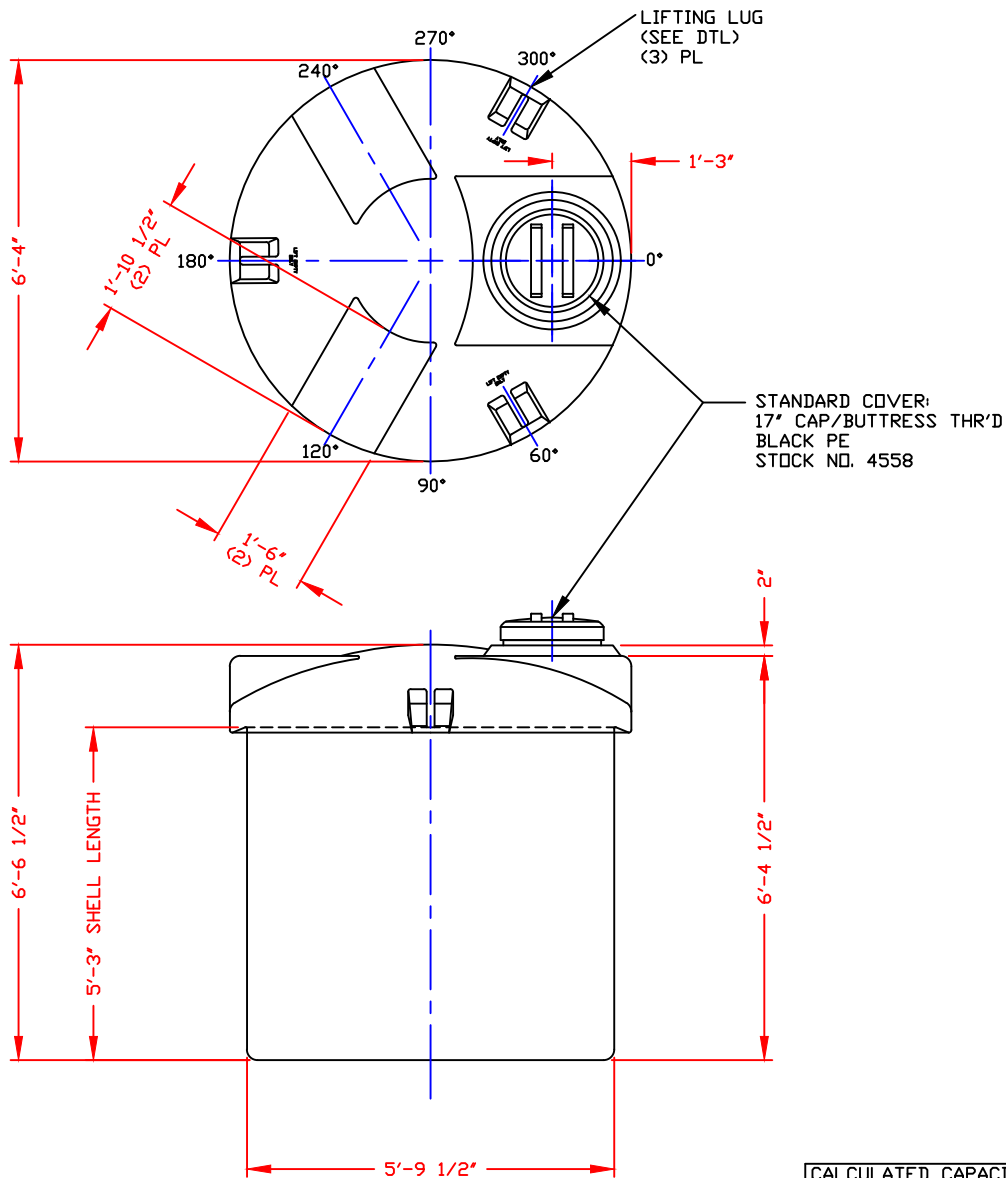
- NOTES:**
1. THIS IS A COMPUTER GENERATED DWG. DO NOT REVISE BY HAND.
 2. DIMENSIONS WILL VARY ±3% DUE TO VARIATIONS IN MULTIPLE MOLDS & CONDITIONS PREVALENT DURING MANUFACTURE & USAGE.
 3. FOR INNER TANK DTLS SEE COMPUTER FILE NO. 12001015, TITLE "1015 GALLON INNER SAFE-TANK," FOR OUTER TANK DTLS SEE COMPUTER FILE NO. 12101200, TITLE "1015 GALLON OUTER SAFE-TANK/ 1200 GALLON OPEN TOP TANK."

CONFIDENTIAL PROPERTY OF
 POLY PROCESSING COMPANY
 NOT FOR REPRINT OR USE
 WITHOUT PERMISSION

CALCULATED CAPACITIES/ VOLUME IN U.S. GALLONS			
TANK	DESIGN CAP	DOME VOL	TOTAL VOL
INNER	1016	187	1203
OUTER	1215	N/A	1215


DWG TITLE 1015 GALLON SAFE-TANK ASSEMBLY			
SCALE: 1/2"=1'-0"	 Western Region P.O. Box 88 8928 South Ash Street French Camp, CA 92521 (951) 962-4964 FAX (951) 962-4455	DR: B. HARPER	
DATE: 09/13/19		CK:	
SHEET 1 OF 1		COMPUTER FILE SAFE-A-01015	REV -

NON-CONTROLLED COPY
 INFORMATION SUBJECT TO CHANGE WITHOUT NOTICE
 VERIFY REV LEVEL OF PAPER COPY WITH REV LEVEL ON PPC WEB SITE

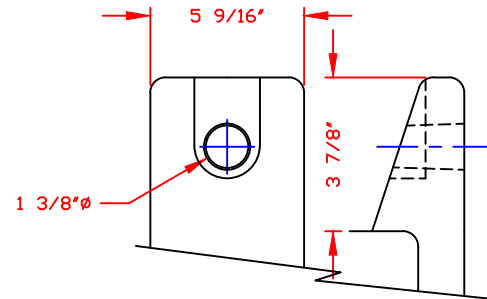
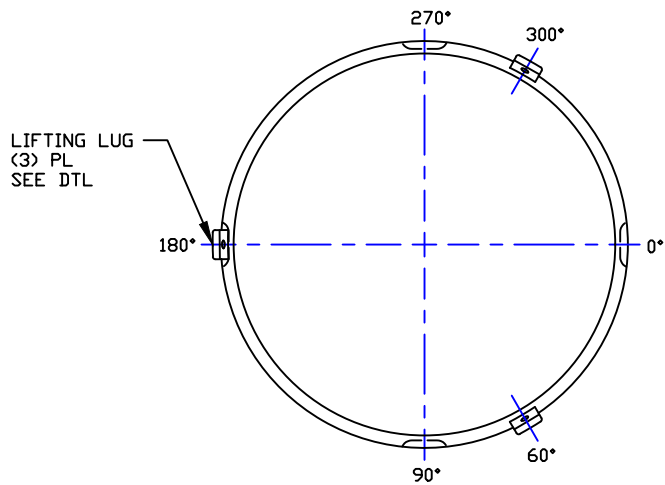


- NOTES:**
1. THIS IS A COMPUTER GENERATED DWG. DO NOT REVISE BY HAND.
 2. DIMENSIONS WILL VARY ±3% DUE TO VARIATIONS IN MULTIPLE MOLDS & CONDITIONS PREVALENT DURING MANUFACTURE & USAGE.
 3. FOR OUTER TANK DTLS SEE COMPUTER FILE NO. 12101200, TITLE "1015 GALLON OUTER SAFE-TANK/1200 GALLON OPEN TOP TANK." FOR ASSEMBLY SEE COMPUTER FILE NO. 12001015A, TITLE "1015 GALLON SAFE-TANK ASSEMBLY."

CONFIDENTIAL PROPERTY OF
 POLY PROCESSING COMPANY
 NOT FOR REPRINT OR USE
 WITHOUT PERMISSION

DWG TITLE		1015 GALLON SAFE-TANK							
SCALE:	1/2"=1'-0"	 POLYPROCESSING SOLUTIONS. SIMPLIFIED.	DR: B. HARPER						
DATE:	09/13/19		CK:						
<table border="1"> <thead> <tr> <th>DESIGN CAP</th> <th>DOME VOL</th> <th>TOTAL VOL</th> </tr> </thead> <tbody> <tr> <td>1016</td> <td>187</td> <td>1203</td> </tr> </tbody> </table>		DESIGN CAP	DOME VOL	TOTAL VOL	1016	187	1203	SHEET	COMPUTER FILE
DESIGN CAP	DOME VOL	TOTAL VOL							
1016	187	1203							
		1 OF 1	SAFE-I-01015						
			REV -						

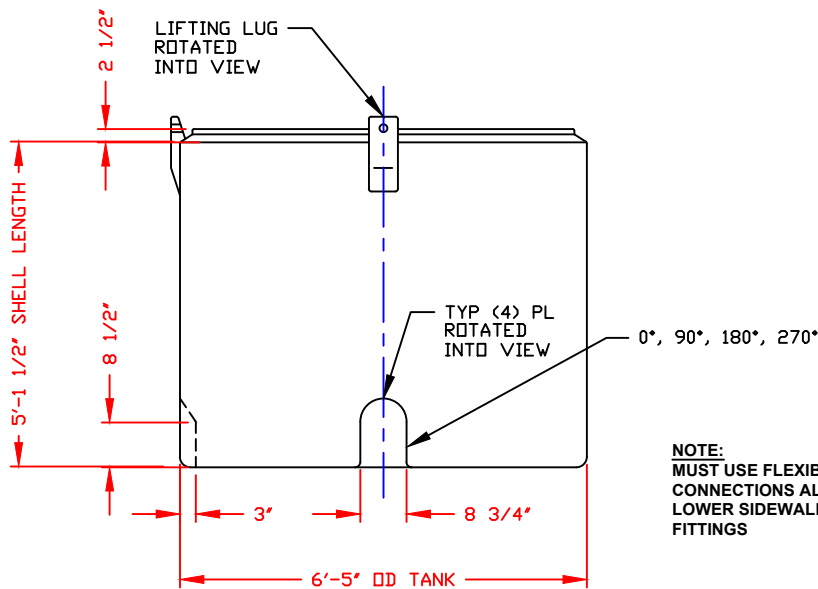
NON-CONTROLLED COPY INFORMATION SUBJECT TO CHANGE WITHOUT NOTICE COPY WILL <u>NOT</u> BE UPDATED	COPY ISSUED BY _____ COPY ISSUED ON _____
--	--



LUG DETAIL
SCALE: NONE

NOTES:

1. THIS IS A COMPUTER GENERATED DWG. DO NOT REVISE BY HAND.
2. DIMENSIONS WILL VARY ±3% DUE TO VARIATIONS IN MULTIPLE MOLDS & CONDITIONS PREVALENT DURING MANUFACTURE & USAGE.
3. FOR INNER TANK DTLs SEE COMPUTER FILE NO. 12001015, TITLE '1015 GALLON INNER SAFE-TANK.' FOR ASSEMBLY SEE COMPUTER FILE NO. 12001015A, TITLE '1015 GALLON SAFE-TANK ASSEMBLY.'



NOTE:
MUST USE FLEXIBLE CONNECTIONS ALL LOWER SIDEWALL FITTINGS

CONFIDENTIAL PROPERTY OF
POLY PROCESSING COMPANY
NOT FOR REPRINT OR USE
WITHOUT PERMISSION

DWG TITLE		1000 & 1015 GALLON OUTER SAFE-TANK/ 1200 GALLON OPEN TOP TANK	
SCALE:	1/2"=1'-0"	 Western Region P.O. Box 88 8925 South Ash Street French Camp, CA 95524 ©2019 908-4904 FAX: (209) 968-3435	DR: B. HARPER
DATE:	09/13/19		CK:
		SHEET	COMPUTER FILE
		1 OF 1	SAFE-0-01015
			REV
			-

CALCULATED CAPACITY VOLUME IN U.S. GALLONS
DESIGN CAPACITY
1215