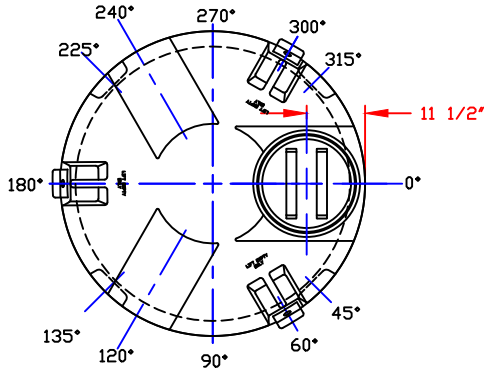
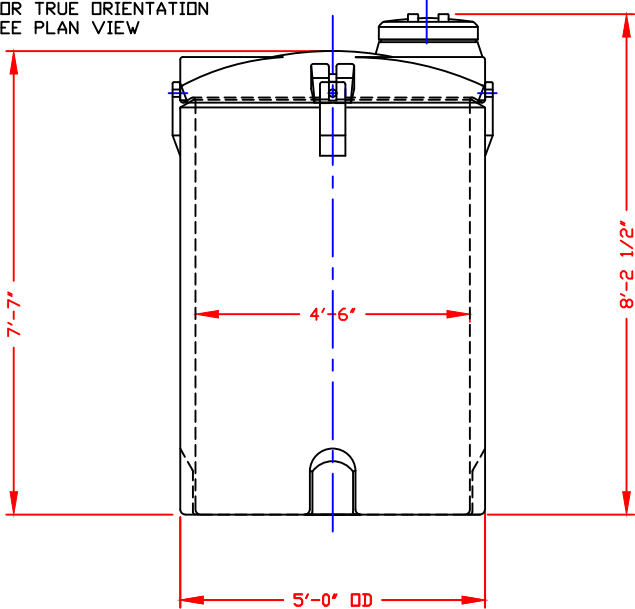


NON-CONTROLLED COPY  
 INFORMATION SUBJECT TO CHANGE WITHOUT NOTICE  
 VERIFY REV LEVEL OF PAPER COPY WITH REV LEVEL ON PPC WEB SITE



ELEVATIONS ONLY--  
 NOZZLES & ACCESSORIES  
 ROTATED INTO VIEW--  
 FOR TRUE ORIENTATION  
 SEE PLAN VIEW




NOTE:  
 MUST USE FLEXIBLE  
 CONNECTIONS ALL  
 LOWER SIDEWALL  
 FITTINGS

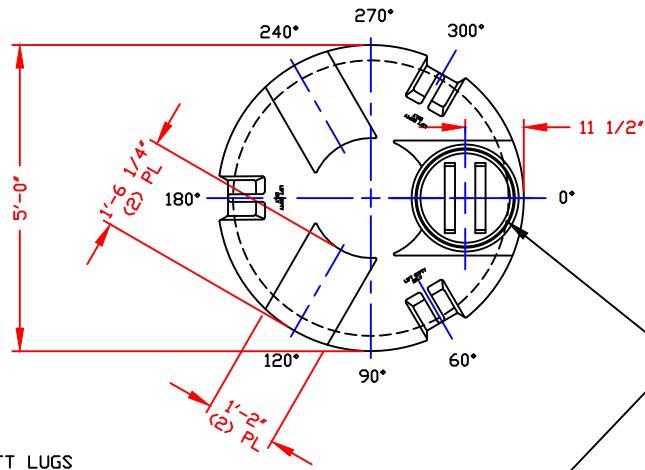
CALCULATED CAPACITIES/ VOLUME IN U.S. GALLONS			
TANK	DESIGN CAP	DOME VOL	TOTAL VOL
INNER	750	56	806
OUTER	944	N/A	944

**NOTES:**

1. THIS IS A COMPUTER GENERATED DWG. DO NOT REVISE BY HAND.
2. DIMENSIONS WILL VARY ±3% DUE TO VARIATIONS IN MULTIPLE MOLDS & CONDITIONS PREVALENT DURING MANUFACTURE & USAGE.
3. INNER TANK DESIGNED FOR 1.9 SpG MAT'L @ 100°F/ATMOS PRESSURE  
 OUTER TANK DESIGNED FOR 1.9 SpG MAT'L @ 100°F/ATMOS PRESSURE

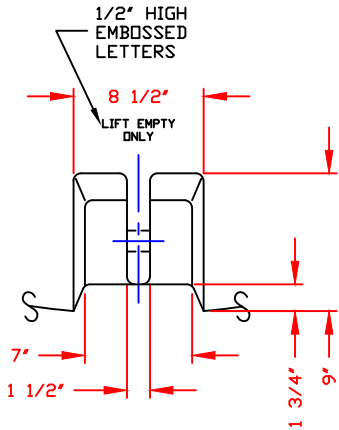
DWG TITLE		750 GALLON SAFE-TANK ASSEMBLY	
SCALE: 1/2"=1'-0"		DATE: 09/11/19	
SERVICE: XXXXX		DR: B. HARPER	
		Central Region P.O. Box 4120 (71810) 2001 Old Stoneington Rd. Monroe, LA 71202 CELL 361-7760 FAX 225-243-8795	
SHEET 1 OF 1		COMPUTER FILE	REV -
SAFE-A-00750			

NON-CONTROLLED COPY  
 INFORMATION SUBJECT TO CHANGE WITHOUT NOTICE  
 VERIFY REV LEVEL OF PAPER COPY WITH REV LEVEL ON PPC WEB SITE

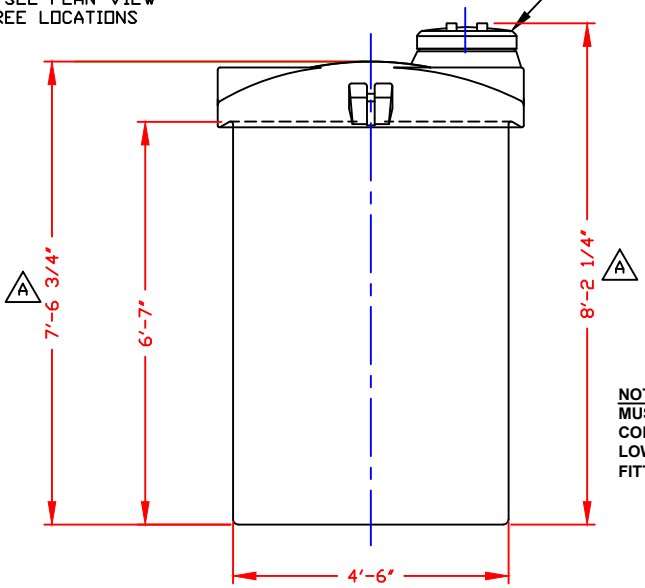


STANDARD COVER:  
 17" CAP/BUTTRESS THR'D  
 BLACK PE  
 STOCK NO. 4558

NOTE: LIFT LUGS  
 ROTATED INTO VIEW FOR  
 CLARITY. SEE PLAN VIEW  
 FOR DEGREE LOCATIONS



LIFTING LUG DETAIL  
 SCALE: NONE



NOTE:  
 MUST USE FLEXIBLE  
 CONNECTIONS ALL  
 LOWER SIDEWALL  
 FITTINGS

NOTES:  
 1. THIS IS A COMPUTER GENERATED DWG. DO NOT REVISE BY HAND.  
 2. DIMENSIONS WILL VARY ±3% DUE TO VARIATIONS IN MULTIPLE  
 MOLDS & CONDITIONS PREVALENT DURING MANUFACTURE & USAGE.

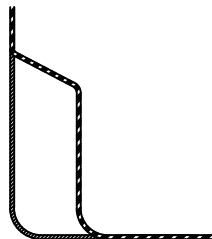
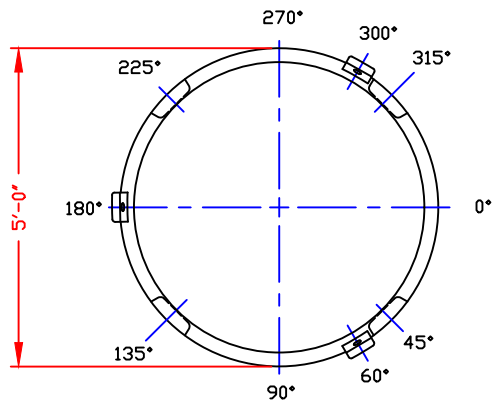
CALCULATED CAPACITIES/ VOLUME IN U.S. GALLONS		
TANK	DESIGN CAP	DOME VOL/TOTAL VOL
INNER	750	56 806

CONFIDENTIAL PROPERTY OF  
 POLY PROCESSING COMPANY  
 NOT FOR REPRINT OR USE  
 WITHOUT PERMISSION

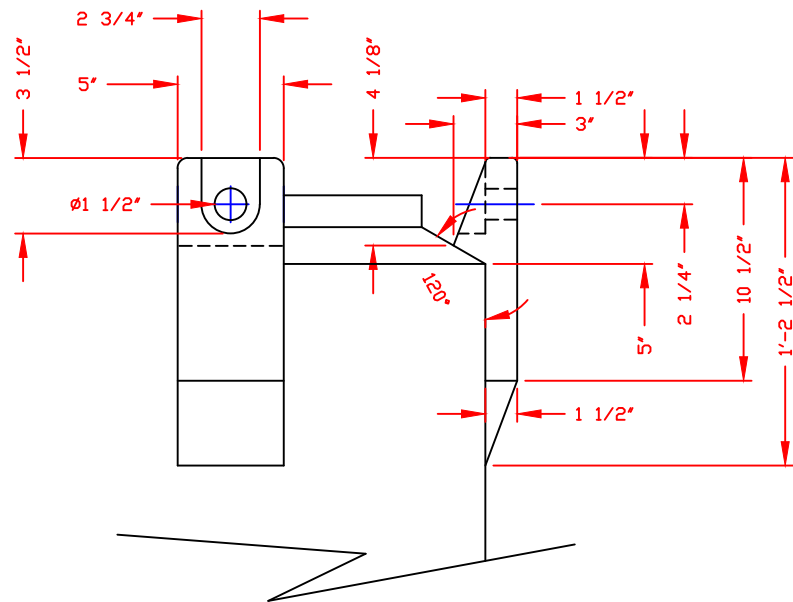
DWG TITLE 750 GALLON SAFE-TANK INNER			
SCALE: 1/2"=1'-0"		Central Region P.O. Box 4150 28111 Old Stearnington Rd. Monroe, LA 70209 CROP 345-7245 FAX 345-47795	DR: B. HARPER
DATE: 09/11/19		CK:	
SHEET 1 OF 1		COMPUTER FILE SAFE-I-00750	REV A

REV "A" REVISED DIMENSIONS BY:JB 5/11/16

NON-CONTROLLED COPY  
 INFORMATION SUBJECT TO CHANGE WITHOUT NOTICE  
 VERIFY REV LEVEL OF PAPER COPY WITH REV LEVEL ON PPC WEB SITE

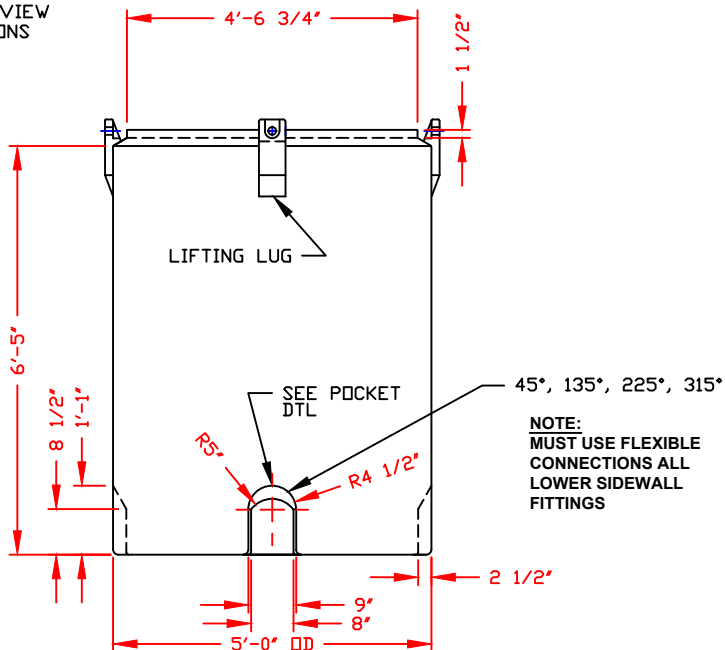


**POCKET DETAIL**  
SCALE: NONE



**LUG DETAIL**  
SCALE: NONE

NOTE: LUGS & POCKETS  
 ROTATED INTO VIEW FOR  
 CLARITY. SEE PLAN VIEW  
 FOR DEGREE LOCATIONS



NOTE:  
 MUST USE FLEXIBLE  
 CONNECTIONS ALL  
 LOWER SIDEWALL  
 FITTINGS

- NOTES:  
 1. THIS IS A COMPUTER GENERATED DWG. DO NOT REVISE BY HAND.  
 2. DIMENSIONS WILL VARY ±3% DUE TO VARIATIONS IN MULTIPLE  
 MOLDS & CONDITIONS PREVALENT DURING MANUFACTURE & USAGE.

CALCULATED CAPACITIES/ VOLUME IN U.S. GALLONS			
TANK	DESIGN CAP	DOME VOL	TOTAL VOL
OUTER	944	N/A	944

CONFIDENTIAL PROPERTY OF  
 POLY PROCESSING COMPANY  
 NOT FOR REPRINT OR USE  
 WITHOUT PERMISSION

DWG TITLE		750 GALLON OUTER SAFE-TANK/ 940 GALLON OPEN TOP TANK		
SCALE:	1/2"=1'-0"	 Central Region P.O. Box 4150 (71813) 2501 Dal Westinghouse Rd. Monroe, LA 71203 C180 342-7252 FAX C180 343-8795	DR:	B. HARPER
DATE:	09/11/19		CK:	
SHEET		COMPUTER FILE	REV	
1 OF 1		SAFE-0-00750	-	