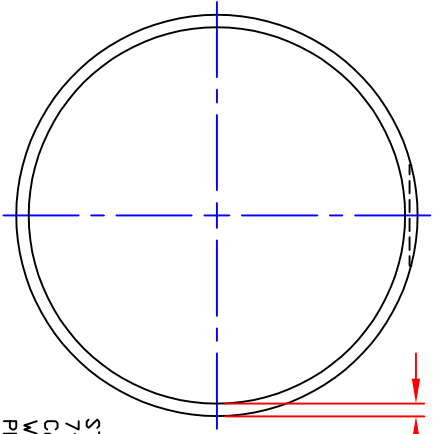
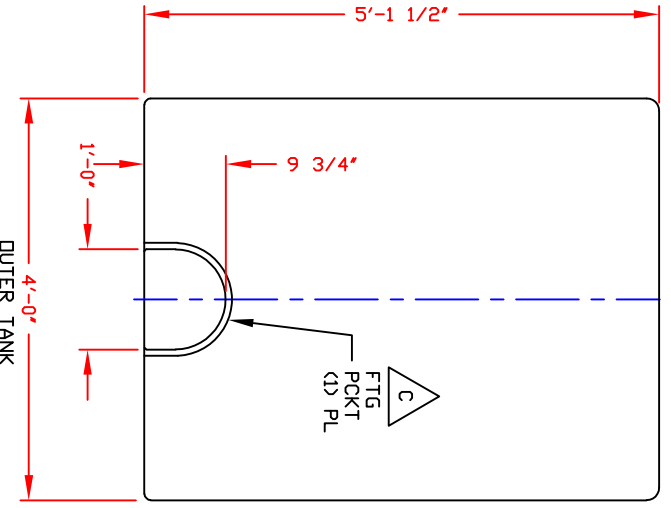


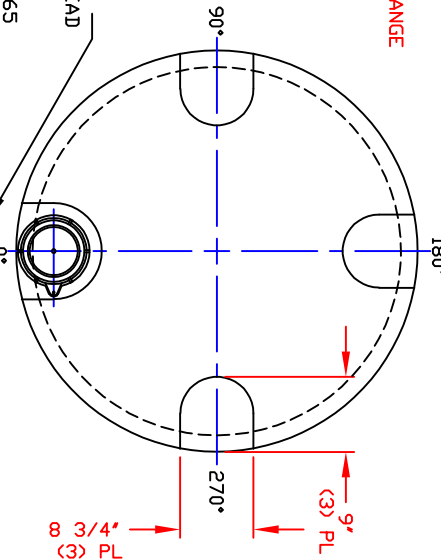
NON-CONTROLLED COPY
 INFORMATION SUBJECT TO CHANGE WITHOUT NOTICE
 VERIFY REV LEVEL OF PAPER COPY WITH REV LEVEL ON PPC WEB SITE



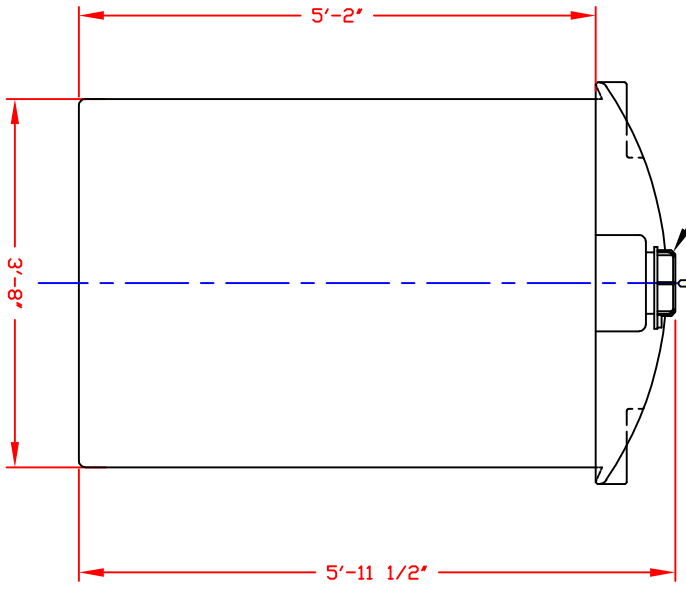
1 1/2" INTERNAL FLANGE
 STANDARD COVER:
 7"/BUTRESS THREAD
 CAP/BLK/PE
 W/GSKT/EPDM
 PPC STDOCK NO. 4565



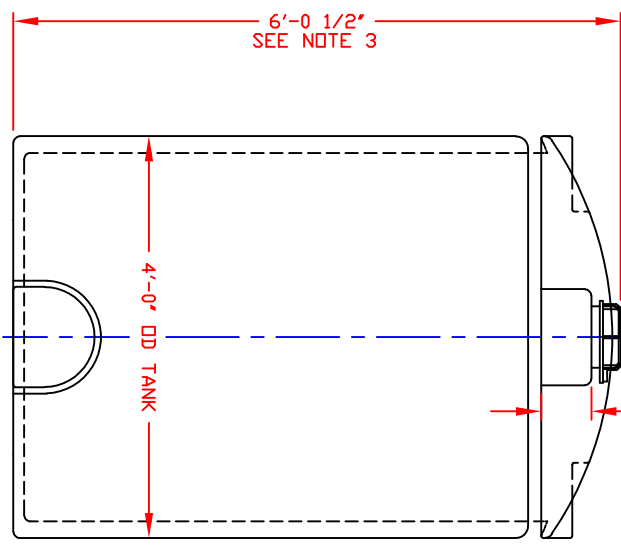
OUTER TANK



90°
 180°
 270°
 9" (3) PL
 8 3/4" (3) PL



INNER TANK



ASSEMBLY

- NOTES**
- THIS IS A COMPUTER GENERATED DWG. DO NOT REVISE BY HAND.
 - DIMENSIONS WILL VARY ±3% DUE TO VARIATIONS IN MULTIPLE MOLDS & CONDITIONS PREVALENT DURING MANUFACTURE & USAGE.
 - OVERALL HEIGHT WILL VARY WITH THE PENETRATION OF THE INNER TANK INTO THE OUTER TANK.

NOTE:
 MUST USE FLEXIBLE CONNECTIONS ALL LOWER SIDEWALL FITTINGS

STANDARD COVER:
 7"/BUTRESS THREAD
 CAP/BLK/PE
 W/GSKT/EPDM
 PPC STDOCK NO. 4565

REV 'D' REVISED FOR MOLD MODIFICATIONS BYMBW 3/28/06 CKJM
 REV 'C' ADDED FTG POCKET BYMBW 7/9/04 CKJB
 REV 'B' ADDED FITTING NOTE BYMBW 4/15/03 CKJB
 REV 'A' REVISED & REBRAWN FOR MOLD MODIFICATIONS BYMBW 7/24/00 CKJB

CALCULATED CAPACITIES/ VOLUME IN U.S. GALLONS			
TANK	SHELL	CAP/DOME	TOTAL VOL
INNER	405	25	430
OUTER	467	N/A	467

CONFIDENTIAL PROPERTY OF
 POLY PROCESSING COMPANY
 NOT FOR REPRINT OR USE
 WITHOUT PERMISSION

DWG TITLE		405 GALLON SAFE-TANK ASSEMBLY	
SCALE:	3/4"=1'-0"	 Poly Processing Solutions, Simplified	Central Region P.O. Box 488, Grand Rapids, MI 49508 Phone: 616-242-7600 Fax: 616-242-9796
DATE:	09/11/19		
SHEET	1 OF 1	COMPUTER FILE	DR: B. HARPER
REV	D		