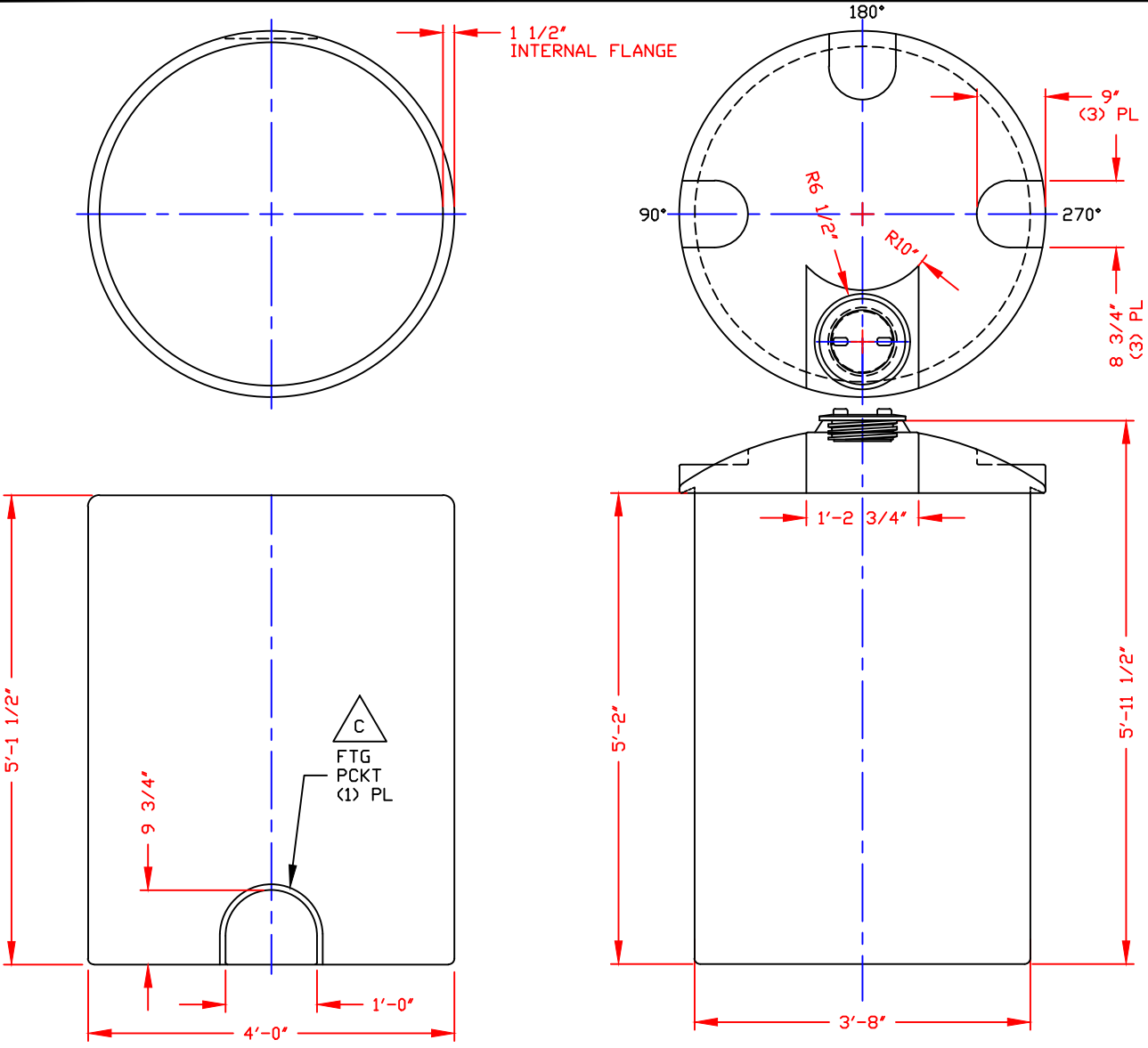
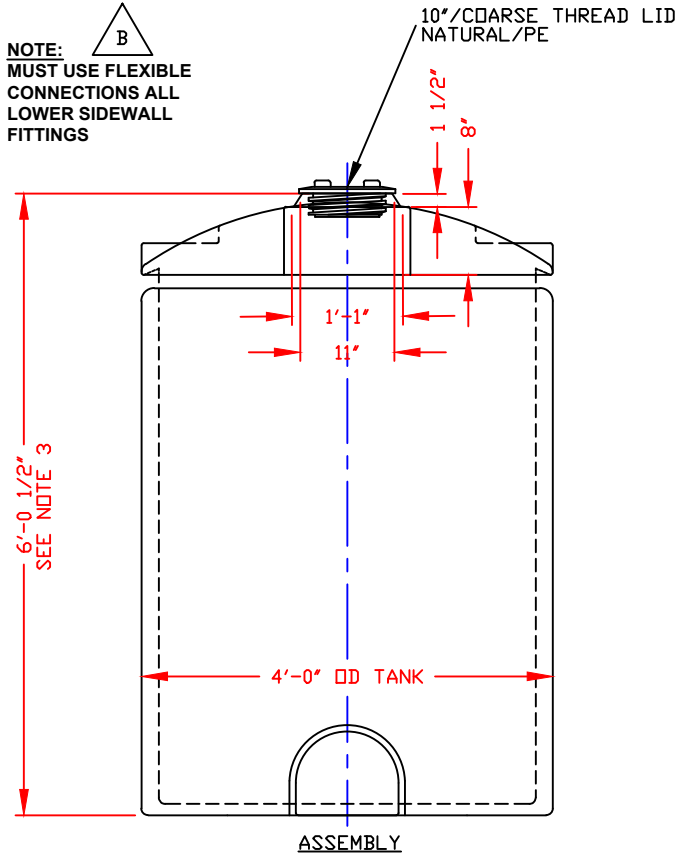


NON-CONTROLLED COPY
 INFORMATION SUBJECT TO CHANGE WITHOUT NOTICE
 VERIFY REV LEVEL OF PAPER COPY WITH REV LEVEL ON PPC WEB SITE



- NOTES**
1. THIS IS A COMPUTER GENERATED DWG. DO NOT REVISE BY HAND.
 2. DIMENSIONS WILL VARY ±3% DUE TO VARIATIONS IN MULTIPLE MOLDS & CONDITIONS PREVELANT DURING MANUFACTURE & USAGE.
 3. OVERALL HEIGHT WILL VARY WITH THE PENETRATION OF THE INNER TANK INTO THE OUTER TANK.



OUTER TANK

INNER TANK

ASSEMBLY

CALCULATED CAPACITIES/ VOLUME IN U.S. GALLONS			
TANK	SHELL	CAP/DOME VOL	TOTAL VOL
INNER	405	25	430
OUTER	467	N/A	467

CONFIDENTIAL PROPERTY OF
 POLY PROCESSING COMPANY
 NOT FOR REPRINT OR USE
 WITHOUT PERMISSION

DWG TITLE			
400 GALLON SAFE-TANK ASSEMBLY			
SCALE:	3/4"=1'-0"	 Central Region P.O. Box 4159 (71281) 2801 Old Springington Rd. Monroe, LA 71203 CTR 343-7543 FAX (504) 343-8795	DR: B. THURMON
DATE:	04/15/2024		CK: -
SHEET		COMPUTER FILE	REV
1 OF 1		SAFE-A-00400	-