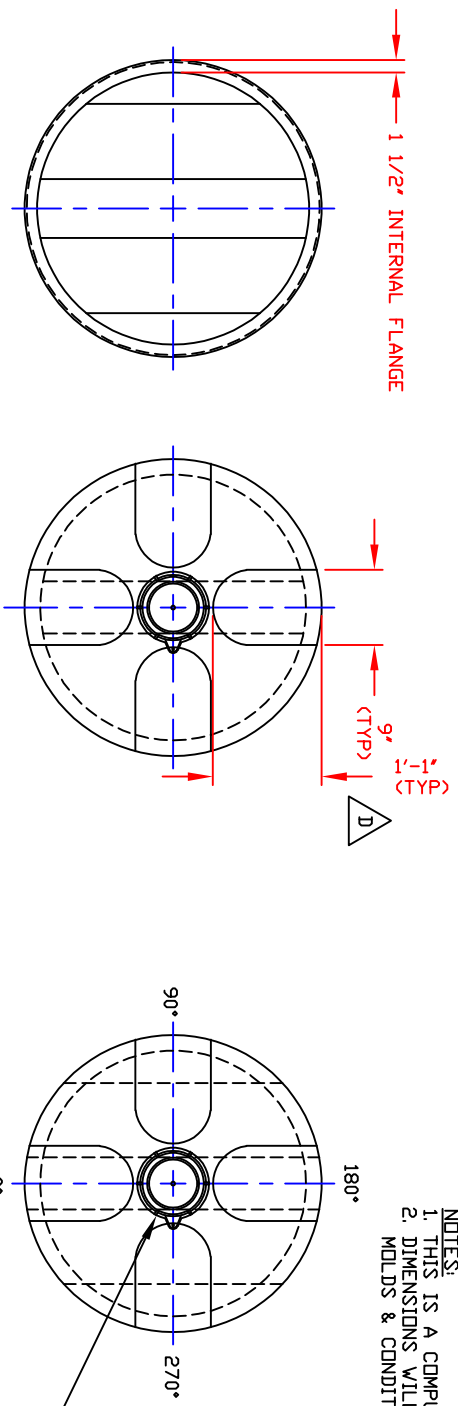


NON-CONTROLLED COPY
 INFORMATION SUBJECT TO CHANGE WITHOUT NOTICE
 VERIFY REV LEVEL OF PAPER COPY WITH REV LEVEL ON PPC WEB SITE

NOTES:
 1. THIS IS A COMPUTER GENERATED DWG. DO NOT REVISE BY HAND.
 2. DIMENSIONS WILL VARY ±3% DUE TO VARIATIONS IN MULTIPLE MOLDS & CONDITIONS PREVALENT DURING MANUFACTURE & USAGE.



NOTE:
 MUST USE FLEXIBLE CONNECTIONS ALL LOWER SIDEWALL FITTINGS

STANDARD COVER,
 7/8\"/>

REV 'D'	REVISED DOME FLATS BY:JUB 12/5/12 CK:WM
REV 'C'	REVISED COVER BY:JUB 7/27/09 CK:WM
REV 'B'	ADDED FTG POCKET BY:MBV 7/13/04 CK:JUB
REV 'A'	ADDED FITTING NOTE BY:MBV 4/15/03 CK:JUB

DWG TITLE		105 GALLON SAFE-TANK ASSEMBLY	
SCALE:	3/4"=1'-0"	CALCULATED CAPACITIES/ VOLUME IN U.S. GALLONS DESIGN CAP DOME VOL TOTAL VOL	
DATE:	09/11/19	105	116
SHEET		1	OF 1
COMPUTER FILE		SAFE-A-00105	
DR:	B. HARPER	CONFIDENTIAL PROPERTY OF POLY PROCESSING COMPANY NOT FOR REPRINT OR USE WITHOUT PERMISSION	