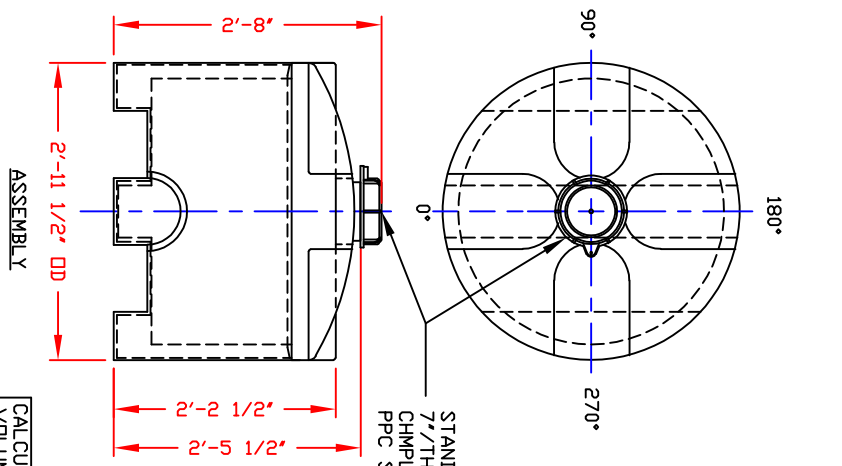
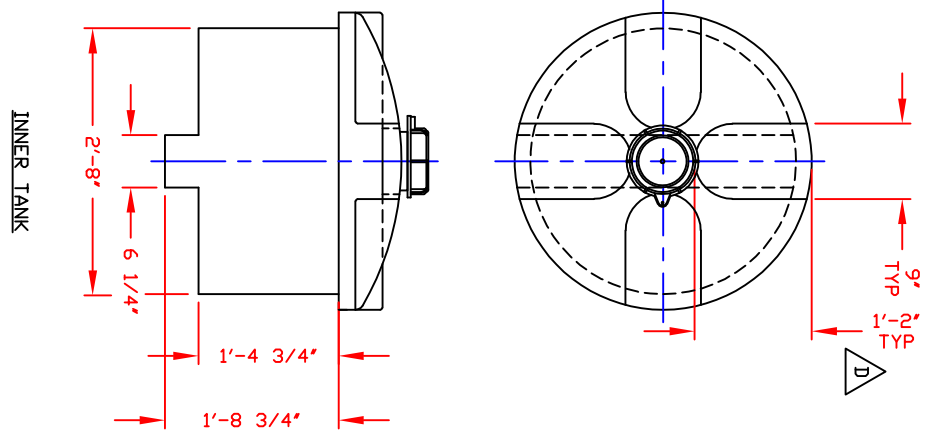
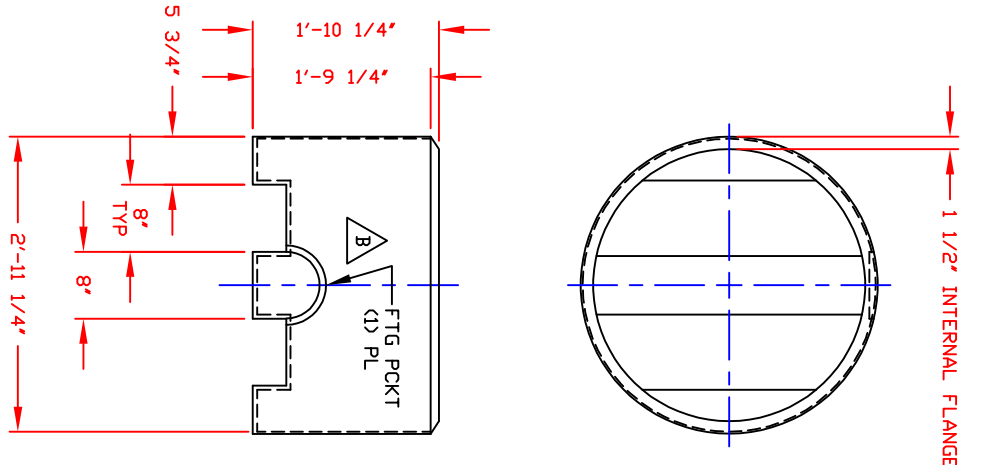


NON-CONTROLLED COPY
 INFORMATION SUBJECT TO CHANGE WITHOUT NOTICE
 VERIFY REV LEVEL OF PAPER COPY WITH REV LEVEL ON PFC WEB SITE

NOTES
 1. THIS IS A COMPUTER GENERATED DWG. DO NOT REVISE BY HAND.
 2. DIMENSIONS WILL VARY ±3% DUE TO VARIATIONS IN MULTIPLE MOLDS & CONDITIONS PREVALENT DURING MANUFACTURE & USAGE.



NOTE:
 MUST USE FLEXIBLE CONNECTIONS ALL LOWER SIDEWALL FITTINGS

CALCULATED CAPACITIES/ VOL LIME IN U.S. GALLONS	
DESIGN CAP DOME VOL	TOTAL VOL
58	69
11	

CONFIDENTIAL PROPERTY OF
 POLY PROCESSING COMPANY
 NOT FOR REPRINT OR USE
 WITHOUT PERMISSION

OUTER TANK

INNER TANK

ASSEMBLY

REV 'D'	REVISED DOME FLATS BY:JUB 12/5/12 CK:WM
REV 'C'	REVISED COVER BY:JUB 7/27/09 CK:WM
REV 'B'	ADDED FTG. POCKET BY:MBW 7/13/04 CK:JUB
REV 'A'	ADDED FITTING NOTE BY:MBW 4/15/03 CK:JUB

DWG TITLE		55 GALLON SAFE-TANK (LA)	
SCALE:	3/4"=1'-0"	DR: B. HARPER	
DATE:	09/11/19	CK:	
		Central Region P.O. Box 450, Orem, UT 84057 801-225-7460 FAX: 801-225-9798	
SHEET	1 OF 1	COMPUTER FILE	SAFE-A-00055
REV	D		