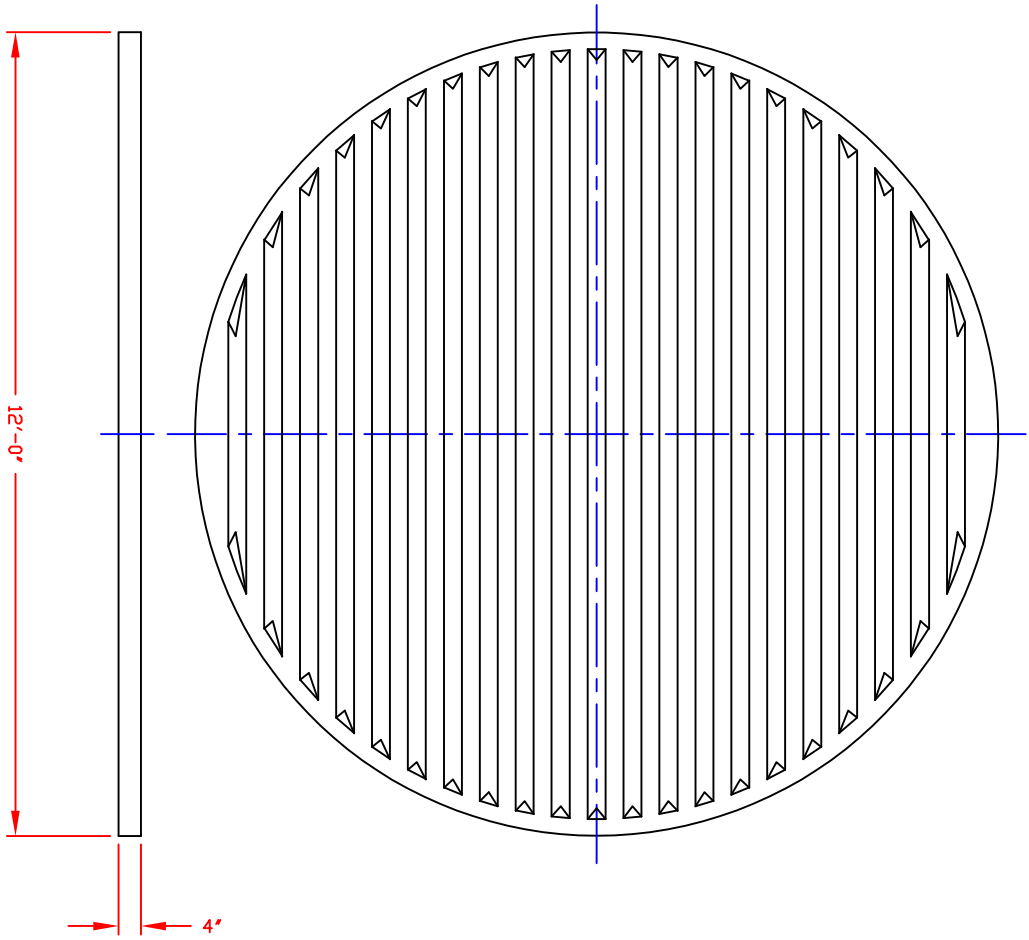



NON-CONTROLLED COPY
 INFORMATION SUBJECT TO CHANGE WITHOUT NOTICE
 VERIFY REV LEVEL OF PAPER COPY WITH REV LEVEL ON PPC WEB SITE



NOTES
 1. THIS IS A COMPUTER GENERATED DWG. DO NOT REVISE BY HAND.
 2. DIMENSIONS WILL VARY ±3% DUE TO VARIATIONS IN MULTIPLE
 MOLDS & CONDITIONS PREVALENT DURING MANUFACTURE & USAGE.

CONFIDENTIAL PROPERTY OF
 POLY PROCESSING COMPANY
 NOT FOR REPRINT OR USE
 WITHOUT PERMISSION

DWG TITLE		PAD FOR 12' DD IMFO TANK	
SCALE:	1/2"=1'-0"	 POLY PROCESSING SOLUTIONS, INC.	Central Region P.O. Box 4500 1000 E. 10th Street Cedar Rapids, IA 52404 Tel: 319-244-9799
DATE:	10/24/19		DR: B. HARPER CK: D. RECTOR
SHEET		COMPUTER FILE	REV
1 OF 1		PADD-F-01200	-