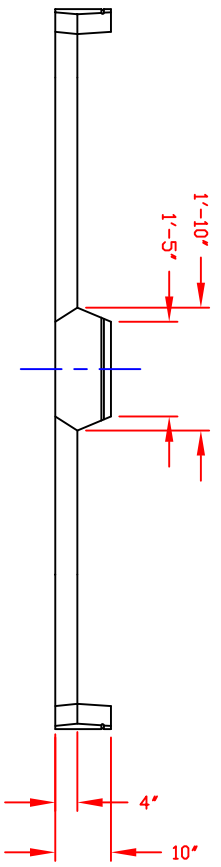
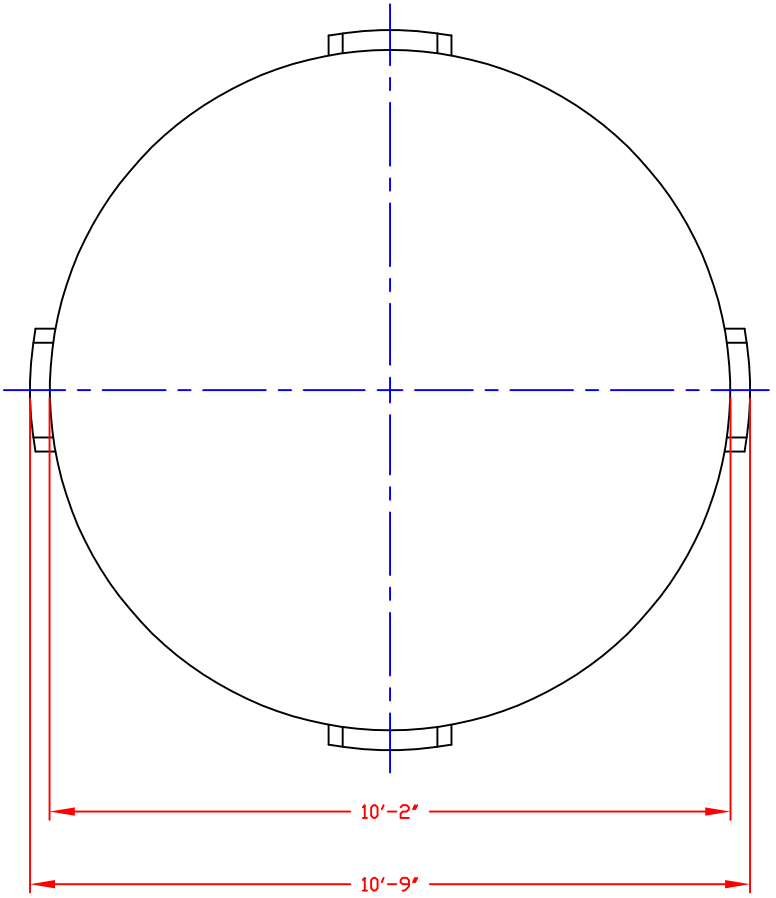



NON-CONTROLLED COPY
 INFORMATION SUBJECT TO CHANGE WITHOUT NOTICE
 VERIFY REV LEVEL OF PAPER COPY WITH REV LEVEL ON PPC WEB SITE



NOTES
 1. THIS IS A COMPUTER GENERATED DWG. DO NOT REVISE BY HAND.
 2. DIMENSIONS WILL VARY ±3% DUE TO VARIATIONS IN MULTIPLE
 MOLDS & CONDITIONS PREVALENT DURING MANUFACTURE & USAGE.

CONFIDENTIAL PROPERTY OF
 POLY PROCESSING COMPANY
 NOT FOR REPRINT OR USE
 WITHOUT PERMISSION

| | | | |
|--|------------|---|------------|
| DWG TITLE | | PAD FOR 10'-2" DD IMFO TANK | |
| SCALE: | 1/2"=1'-0" | | |
| DATE: | 10/24/19 | | |
|  POLY PROCESSING SOLUTIONS, INC. | | Central Region P.O. Box 4500 1000 East 10th Street Grand Rapids, MI 49508 Tel: (616) 242-9799 | |
| | | DR: | B. HARPER |
| | | CK: | |
| SHEET | 1 OF 1 | COMPUTER FILE | PADX-01002 |
| REV | | | - |