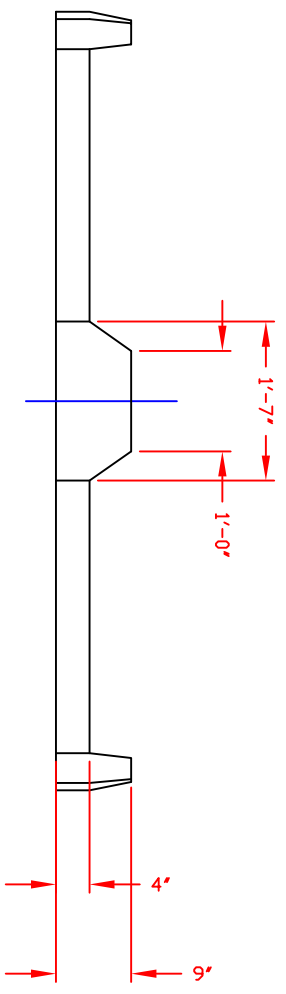
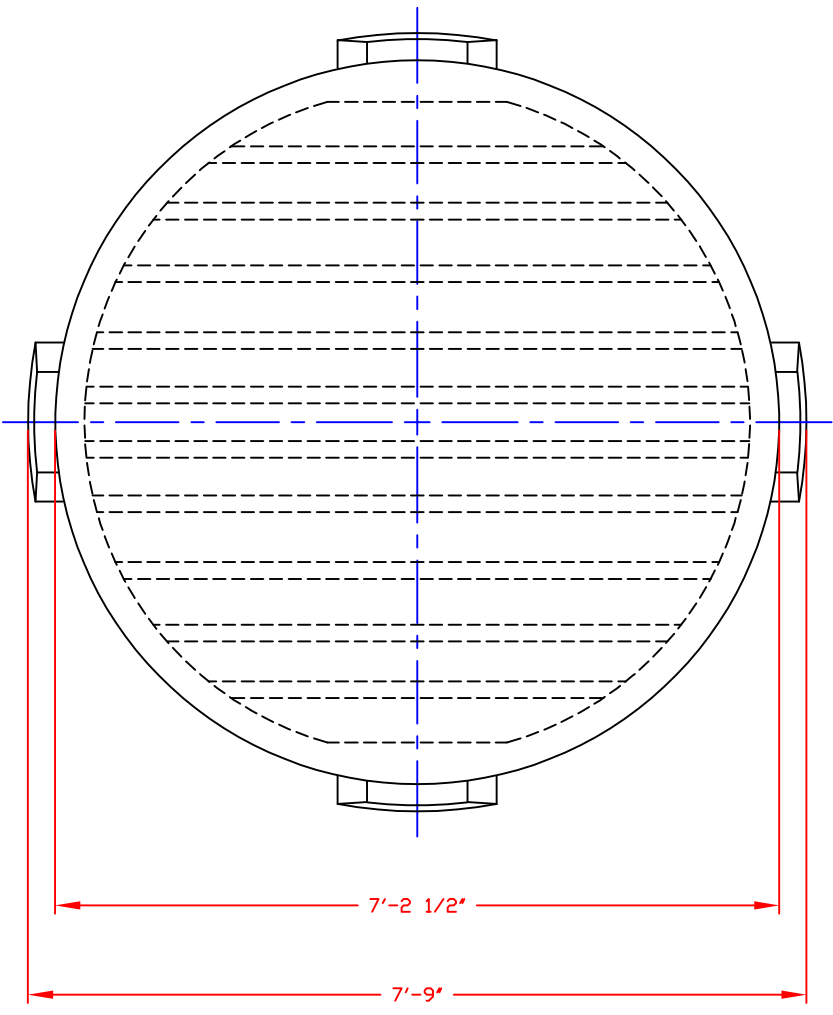



NON-CONTROLLED COPY
 INFORMATION SUBJECT TO CHANGE WITHOUT NOTICE
 VERIFY REV LEVEL OF PAPER COPY WITH REV LEVEL ON PPC WEB SITE



NOTES
 1. THIS IS A COMPUTER GENERATED DWG. DO NOT REVISE BY HAND.
 2. DIMENSIONS WILL VARY ±3% DUE TO VARIATIONS IN MULTIPLE
 MOLDS & CONDITIONS PREVALENT DURING MANUFACTURE & USAGE.

CONFIDENTIAL PROPERTY OF
 POLY PROCESSING COMPANY
 NOT FOR REPRINT OR USE
 WITHOUT PERMISSION

DWG TITLE		PAD FOR 7'-1" DD IMFO TANK	
SCALE:	3/4"=1'-0"	 <p>POLY PROCESSING SOLUTIONS, SIMULATED</p>	
DATE:	10/24/19		Central Region P.O. Box 4580 6000 S. 24th Street Suite 300 Phoenix, AZ 85040 Tel: 480-345-9799
SHEET		COMPUTER FILE	REV
1 OF 1		PADX-F-00701	-