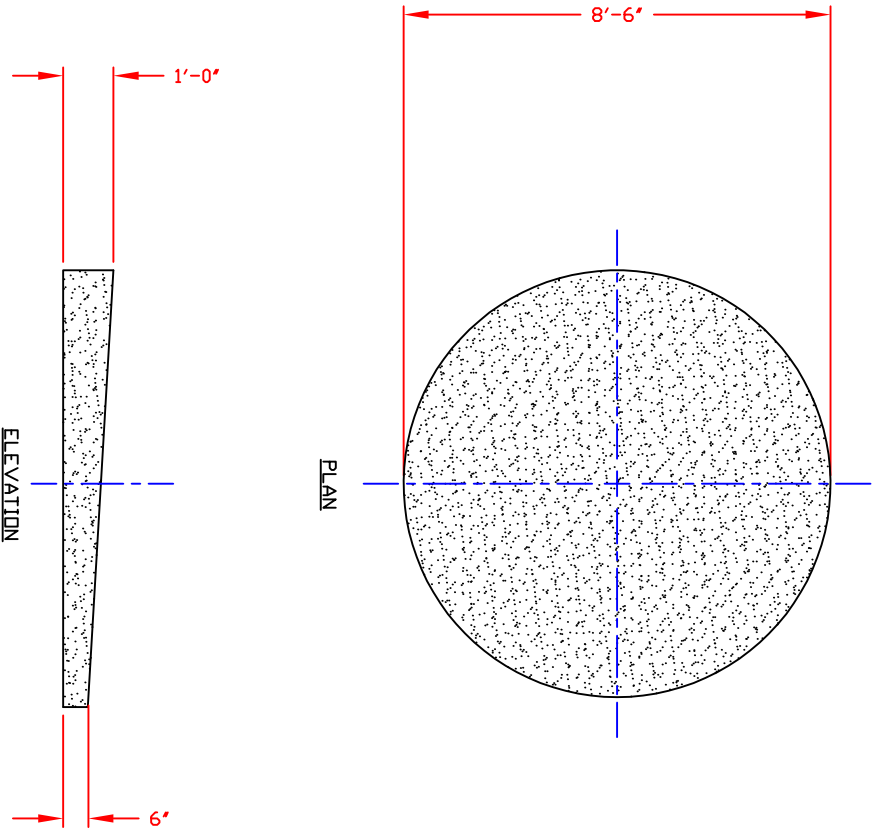



NON-CONTROLLED COPY  
 INFORMATION SUBJECT TO CHANGE WITHOUT NOTICE  
 VERIFY REV LEVEL OF PAPER COPY WITH REV LEVEL ON PPC WEB SITE



- NOTES**
1. THIS IS A COMPUTER GENERATED DWG. DO NOT REVISE BY HAND.
  2. DIMENSIONS WILL VARY ±3% DUE TO VARIATIONS IN MULTIPLE MOLDS & CONDITIONS PREVALENT DURING MANUFACTURE & USAGE.

CONFIDENTIAL PROPERTY OF  
 POLY PROCESSING COMPANY  
 NOT FOR REPRINT OR USE  
 WITHOUT PERMISSION

<b>DWG TITLE</b>  PolyBase Polyurethane 8'-6" DIAMETER SLOPED	
SCALE:	3/8"=1'-0"
DATE:	09/10/19
 <b>POLY PROCESSING SOLUTIONS, INC.</b>	
DR:	B. HARPER
CK:	
COMPUTER FILE	PA DP-S-00806
REV	-