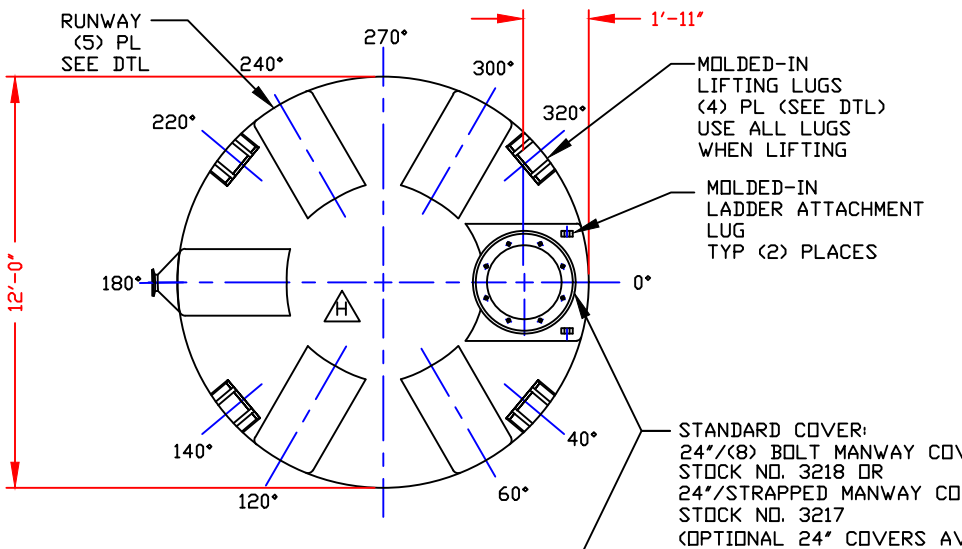
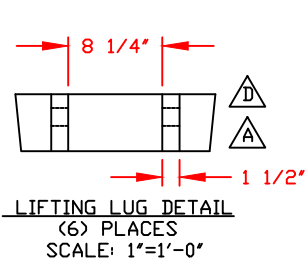
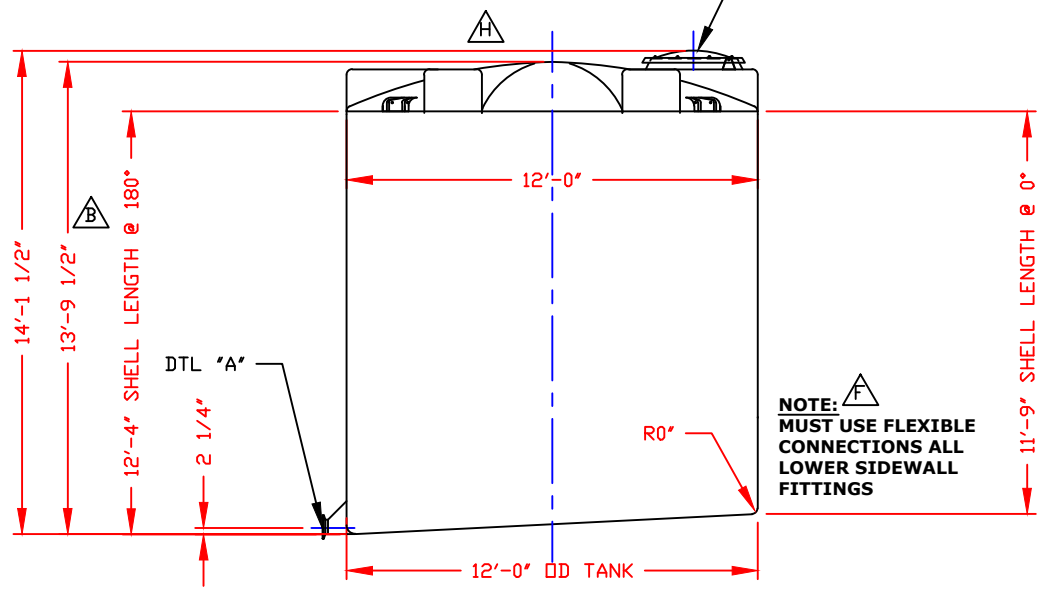
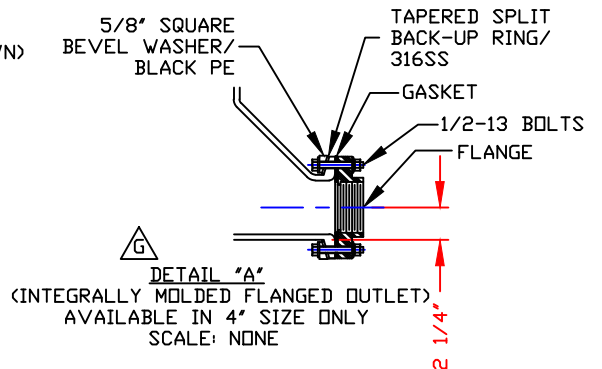


NON-CONTROLLED COPY
 INFORMATION SUBJECT TO CHANGE WITHOUT NOTICE
 VERIFY REV LEVEL OF PAPER COPY WITH REV LEVEL ON PPC WEB SITE



NOZZLE SCHEDULE & ACCESSORIES					
SERVICE	MK	STOCK NO.	SIZE	FITTING	DEG ELEV



- NOTES**
- THIS IS A COMPUTER GENERATED DWG. DO NOT REVISE BY HAND.
 - DIMENSIONS WILL VARY ±3% DUE TO VARIATIONS IN MULTIPLE MOLDS & CONDITIONS PREVALENT DURING MANUFACTURE & USAGE.
 - NO MOLDED IN GALLONAGE MARKERS THIS TANK.

CALCULATED CAPACITIES/ VOLUME IN U.S. GALLONS		
DESIGN CAP	HOME VOL	TOTAL VOL
9867	640	10507

CONFIDENTIAL PROPERTY OF
 POLY PROCESSING COMPANY
 NOT FOR REPRINT OR USE
 WITHOUT PERMISSION

REV "H" CHANGED DOME BY: BH 1/12/2021
REV "G" REVISED IMFD STYLE BY: JB 4/30/03 CK: MW
REV "F" ADDED FITTING NOTE BY: JB 2/13/03 CK: MBW
REV "E" REVISED DOME & MWY CONFIGURATION BY: JB 1/14/03 CK: WM
REV "D" REVISED LIFTING LUG DETAIL BY: JB 1/14/03 CK: WM
REV "C" REVISED CALCULATED CAPACITY BY: JB 3/28/02 CK: MBW
REV "B" DID SAY 14'-1/2" BY: JB 3/28/02 CK: MBW
REV "A" ADDED LIFTING LUGS & DETAIL BY: JB 3/25/02 CK: MBW

DWG TITLE		9850 GALLON SLOPE BOTTOM IMFD TANK	
SCALE:	1/4"=1'-0"	 Western Region P.O. Box 88 9825 South Ash Street French Camp, CA 95831 (925) 962-4564 FAX (925) 962-6455	DR: B. HARPER
DATE:	1/12/2021		 POLY PROCESSING COMPANY LLC
		SHEET	COMPUTER FILE
		1 OF 1	IMFD-S-09850