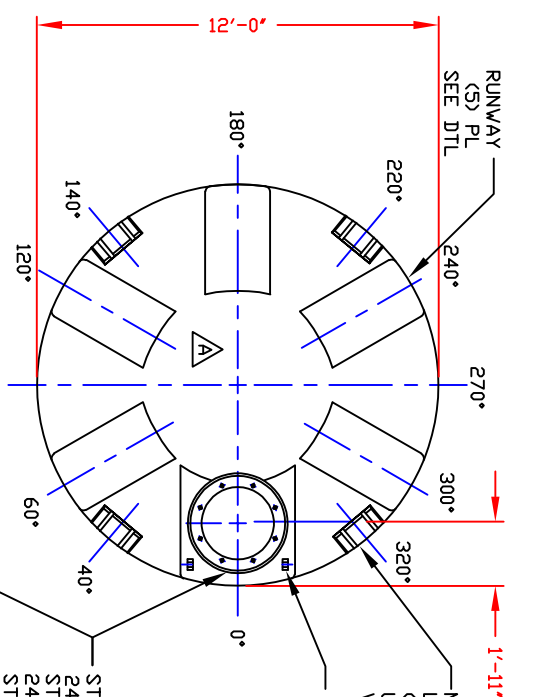


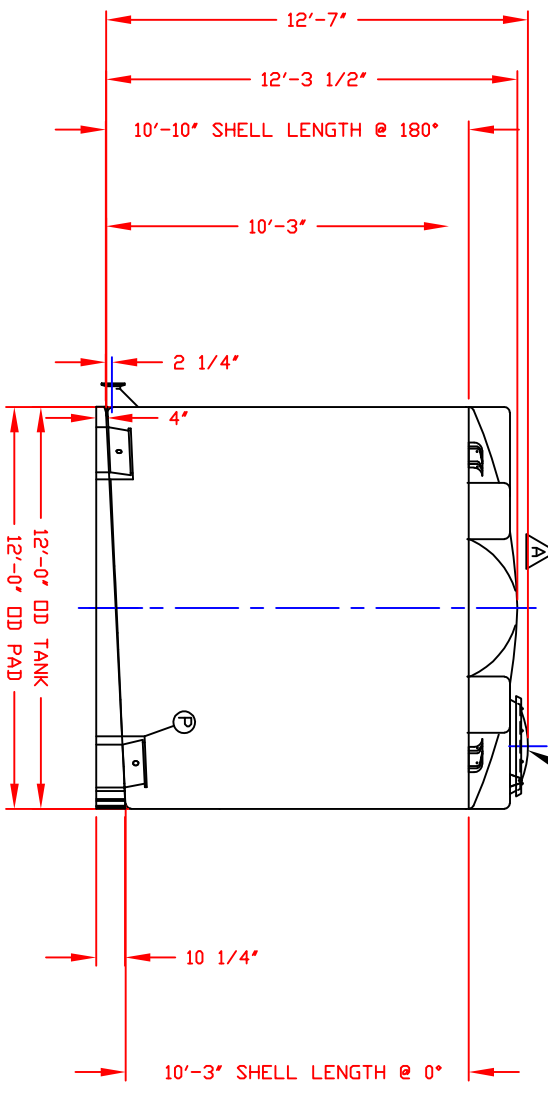
LIFTING LUG DETAIL  
(6) PLACES  
SCALE: 1"=1'-0"



MOLDED-IN LIFTING LUGS (4) PL (SEE DTL) USE ALL LUGS WHEN LIFTING

MOLDED-IN LUG LADDER ATTACHMENT TYP (2) PLACES

STANDARD COVER, 24"/(8) BOLT MANWAY COVER/PE (SHOWN) STOCK NO. 3218 OR 24"/STRAPPED MANWAY COVER/PE STOCK NO. 3217 (OPTIONAL 24" COVERS AVAILABLE)



NOTES  
1. THIS IS A COMPUTER GENERATED DWG. DO NOT REVISE BY HAND.  
2. DIMENSIONS WILL VARY ±3% DUE TO VARIATIONS IN MULTIPLE MOLDS & CONDITIONS PREVALENT DURING MANUFACTURE & USAGE.  
3. NO MOLDED IN GALLONAGE MARKERS THIS TANK.

CALCULATED CAPACITIES/ VOLUME IN U.S. GALLONS	DESIGN CAP DOME VOL	TOTAL VOL
8500	640	9150

DWG TITLE: 8500 GALLON SLOPE BOTTOM IMFO TANKS

SERVICE: xxxxxx

SCALE: 1/4"=1'-0"

DATE: 1/12/2021

Western Region  
1355 Spg/Alpe/Black  
Stock No. 11208500111

DR: B. HARPER

SHEET: 1 OF 1

COMPUTER FILE: IMPD-S-08500

REV: A