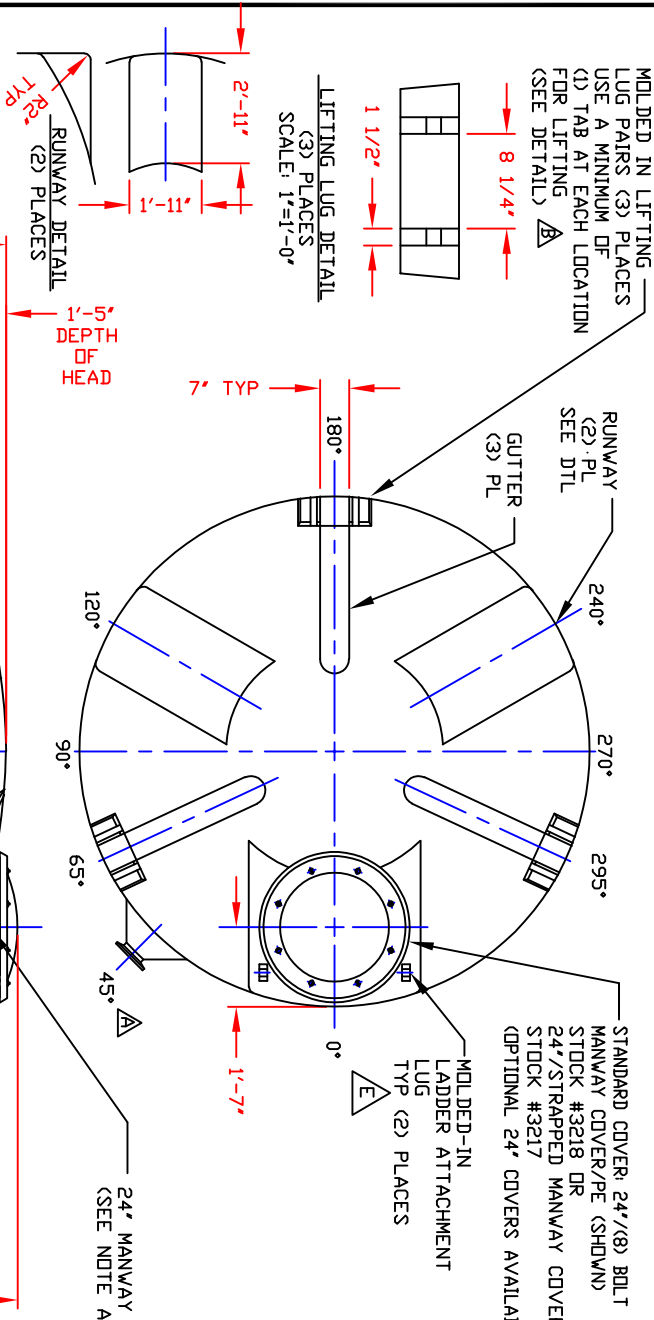
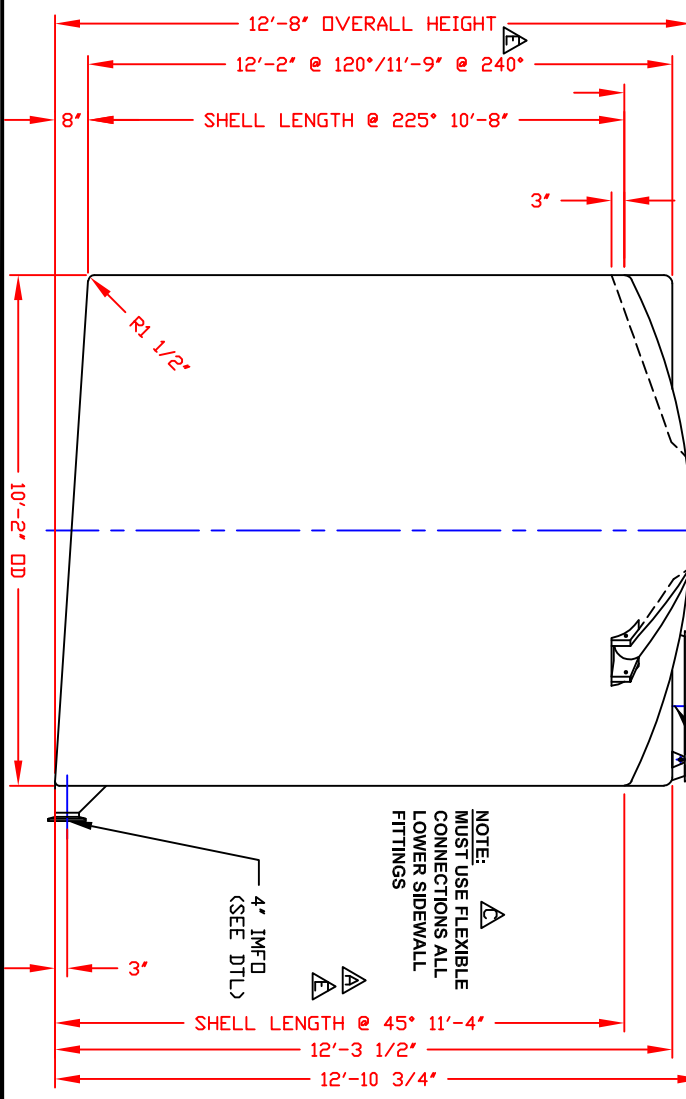


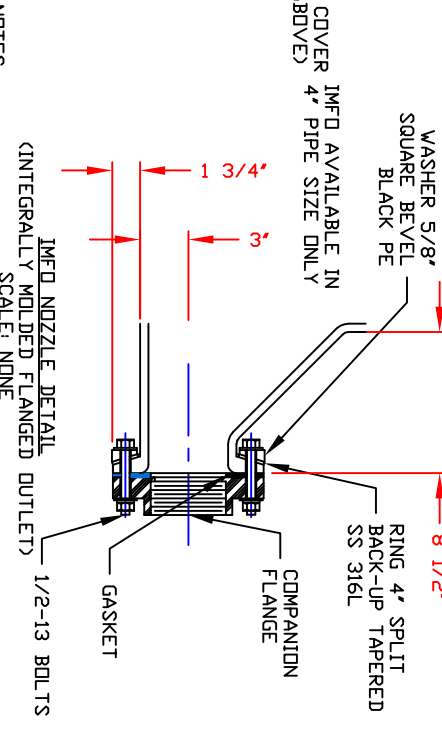
REV "A" REVISED DIM IN ELEVATION BY:MBW 3/1/00 CK:DR
REV "B" ADDED LIFTING LUGS & DETAILS BY:JB 4/12/02 CK:MBW
REV "C" ADDED FITTING NOTE BY:MBW 3/3/03 CK:JB
REV "D" ADDED LADDER ATTACHMENT LUGS BY:JB 5/25/04 CK:WM
REV "E" REVISED OVERALL HEIGHT & SHELL LENGTH BY:JB 8/4/11 CK:CD
REV "F" RELOCATED GUTTERS BY:JB 1/24/11 CK:WM



NON-CONTROLLED COPY  
 INFORMATION SUBJECT TO CHANGE WITHOUT NOTICE  
 VERIFY REV LEVEL OF PAPER COPY WITH REV LEVEL ON PPC WEB SITE

DWG TITLE	
6350 GALLON SLOPE BOTTOM IMFD TANK	
SCALE:	3/8"=1'-0"
DATE:	09/09/19
<small>Central Region        P.O. Box 488, Grand Rapids, MI 49508        Phone: 616-235-2600 Fax: 616-235-2699</small>	
DR:	B. HARPER
CK:	
SHEET	1 OF 1
COMPUTER FILE	IMFD-S-06350
REV	F

CALCULATED CAPACITIES/ VOL/UME IN U.S. GALLONS	DESIGN CAP DOME VOL/TOTAL VOL
6388	419
	6807



**NOTES**

1. THIS IS A COMPUTER GENERATED DWG. DO NOT REVISE BY HAND. DIMENSIONS WILL VARY ±3% DUE TO VARIATIONS IN MULTIPLE MOLDS & CONDITIONS PREVALENT DURING MANUFACTURE & USAGE.
2. MOLDED IN GALLONAGE MARKERS @ APPROX 60" IN 200 GALLON INCREMENTS UP TO 5800 GALLONS.

IMFD NOZZLE DETAIL  
 (INTEGRALLY MOLDED FLANGED OUTLET)  
 SCALE: NONE

CONFIDENTIAL PROPERTY OF  
 POLY PROCESSING COMPANY  
 NOT FOR REPRINT OR USE  
 WITHOUT PERMISSION